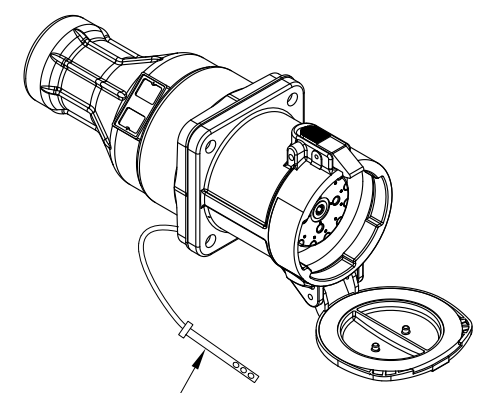


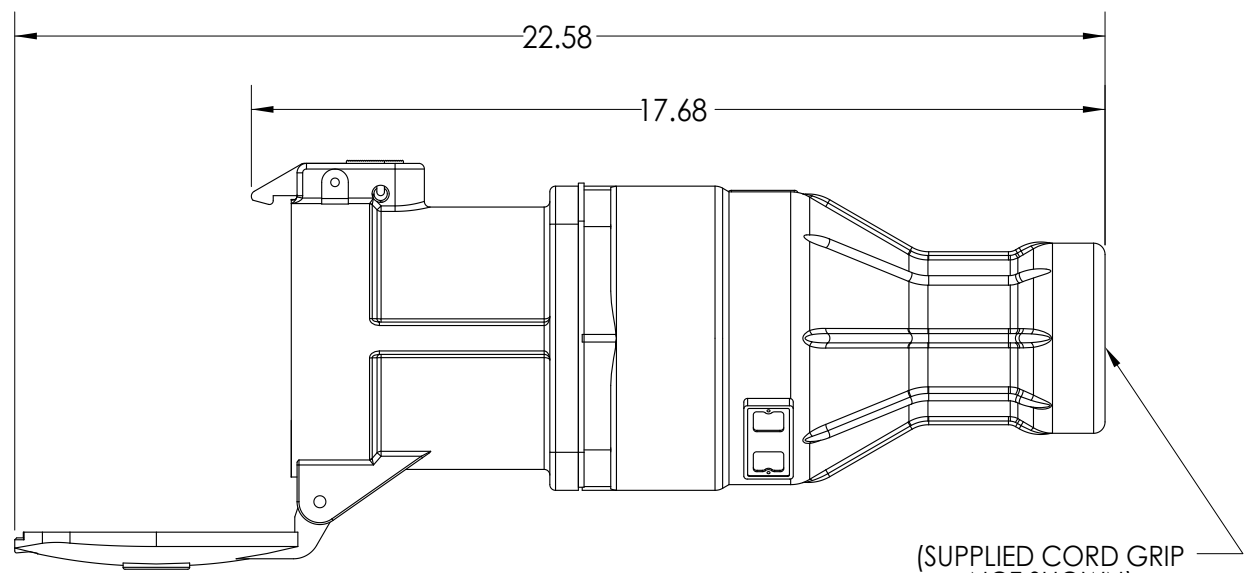
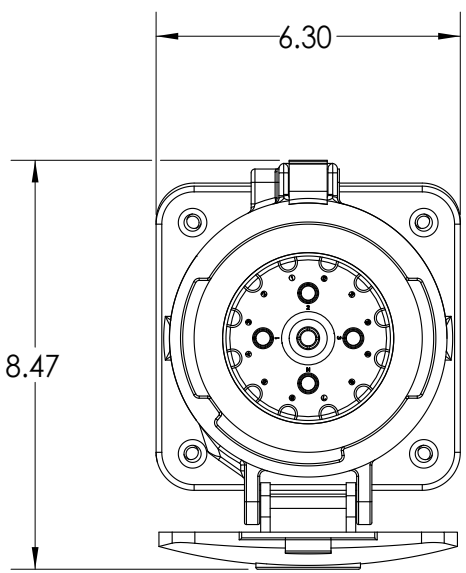
This drawing is the property of MELTRIC Corporation, Franklin (Milwaukee), Wisconsin, USA. Any unauthorized copying of this drawing by any means, or disclosure of its contents to any person not authorized by MELTRIC Corporation or its agents to receive it, is strictly prohibited.

G F E D C B A



PART NUMBER	CABLE RANGE
26-63xxx-32M	.47" - .83"
26-63xxx-40M	.63" - 1.06"

(FEATHERED LOCKOUT BAR SUPPLIED)



(SUPPLIED CORD GRIP NOT SHOWN)

TOLERANCES UNLESS OTHERWISE SPECIFIED		MELTRIC A COMPANY OF MARÉCHAL ÉLECTRIC	
MACHINED SURFACES $\sqrt[125]{\text{MAX}}$ GROUND SURFACES $\sqrt[32]{\text{MAX}}$ ANGLE TOLERANCE $\pm 1^\circ$ REMOVE BURRS & SHARP EDGES TO .015 MAX. DIMENSIONS SHOWN IN OVALS ARE INSPECTION DIMENSIONS.	ENGLISH $0.X \pm 0.05$ $0.XX \pm 0.01$ $0.XXX \pm 0.005$		DRAWING TITLE:
	DRAWN	APPROVED	DX 60A RECEPT. WITH HANDLE
	DATE:	SCALE NTS	MATERIAL: METAL CASING AND HANDLE
SHEET: 1 OF 1	PART NUMBER 26-63xxx-xxx		REVISION

1
2
3
4
5
6