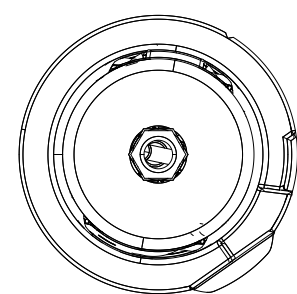
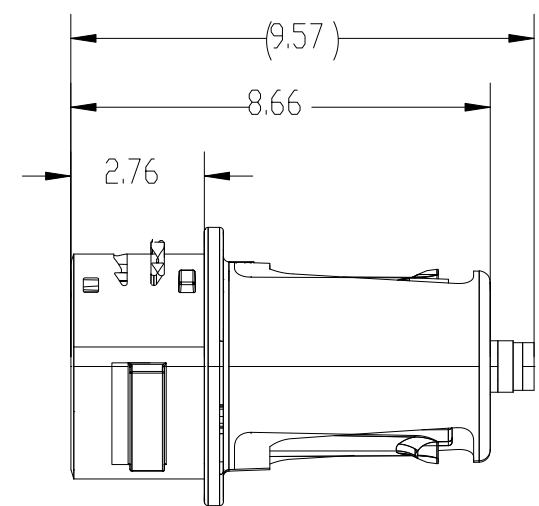
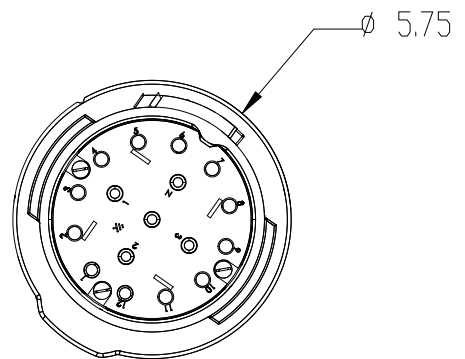
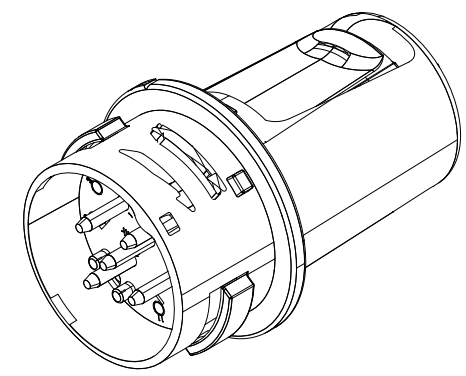


This drawing is the property of MELTRIC Corporation, Franklin (Milwaukee), Wisconsin, USA. Any unauthorized copying of this drawing by any means, or disclosure of its contents to any person not authorized by MELTRIC Corporation or its agents to receive it, is strictly prohibited.

G F E D C B A

PART NUMBER	CABLE RANGE
26-61xxx-32M	.47"-.83"
26-61xxx-40M	.63"-1.06"



TOLERANCES UNLESS OTHERWISE SPECIFIED		 A COMPANY OF MARECHAL ELECTRIC	
MACHINED SURFACES	125 MAX		
GROUND SURFACES	32 MAX	DRAWN: _____ APPROVED: _____	DRAWING TITLE: DX60 PLUG
ANGLE TOLERANCE	±1°	DATE: _____	SCALE: NTS
REMOVE BURRS & SHARP EDGES TO .015 MAX.			MATERIAL: METAL CASING
DIMENSIONS SHOWN IN OVALS ARE INSPECTION DIMENSIONS.		SHEET: 1 OF 1	PART NUMBER: 26-61xxx-xxx
			REVISION