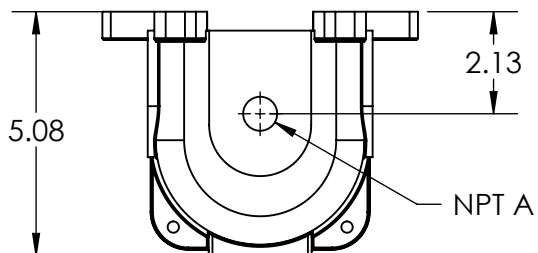
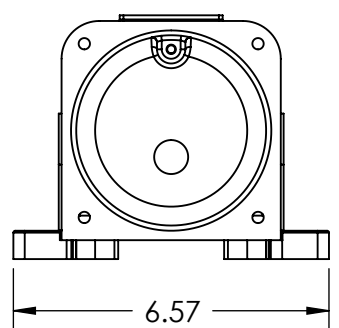
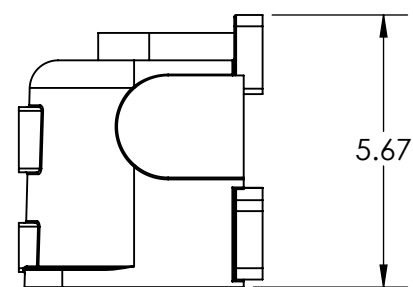
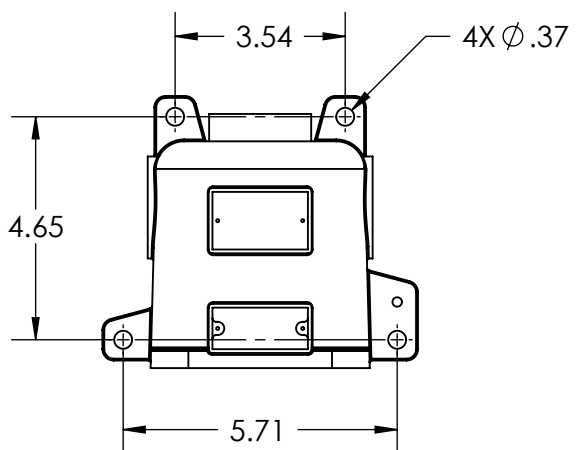
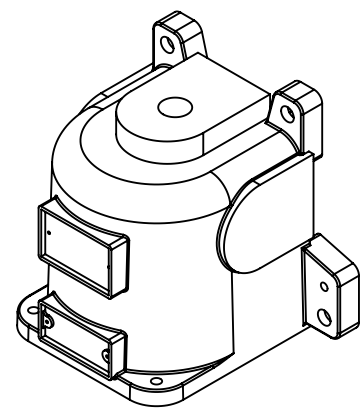

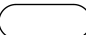


This drawing is the property of MELTRIC Corporation, Franklin (Milwaukee), Wisconsin, USA. Any unauthorized copying of this drawing by any means, or disclosure of its contents to any person not authorized by MELTRIC Corporation or its agents to receive it, is strictly prohibited.



PART NUMBER	NPT A
26-2A023-12	1/2" NPT
26-2A023-34	3/4" NPT
26-2A023-1	1" NPT



TOLERANCES UNLESS OTHERWISE SPECIFIED		 A COMPANY OF MARÉCHAL ÉLECTRIC	
MACHINED SURFACES $\sqrt[125]{\text{MAX}}$	ENGLISH		
GROUND SURFACES $\sqrt[32]{\text{MAX}}$	0.X ±0.05	DRAWING TITLE: DX20 METAL WALL BOX	
ANGLE TOLERANCE ±1°	0.XX ±0.01	DATE:	SCALE 1:4
REMOVE BURRS & SHARP EDGES TO .015 MAX.	0.XXX ±0.005	MATERIAL: METAL	
 DIMENSIONS SHOWN IN OVALS ARE INSPECTION DIMENSIONS.	PROJECT NUMBER NONE		PART NUMBER 26-2A023-xx
			SHEET: 1 OF 1