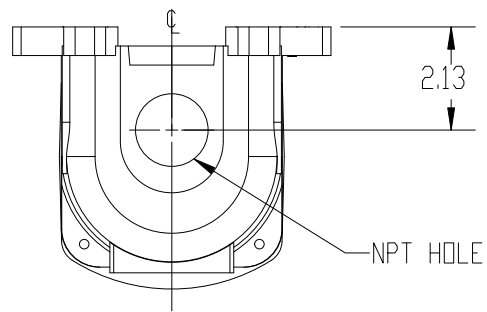
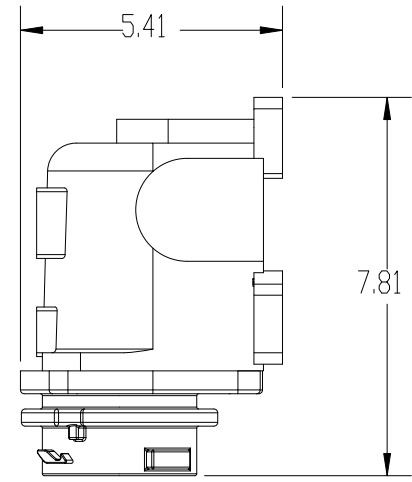
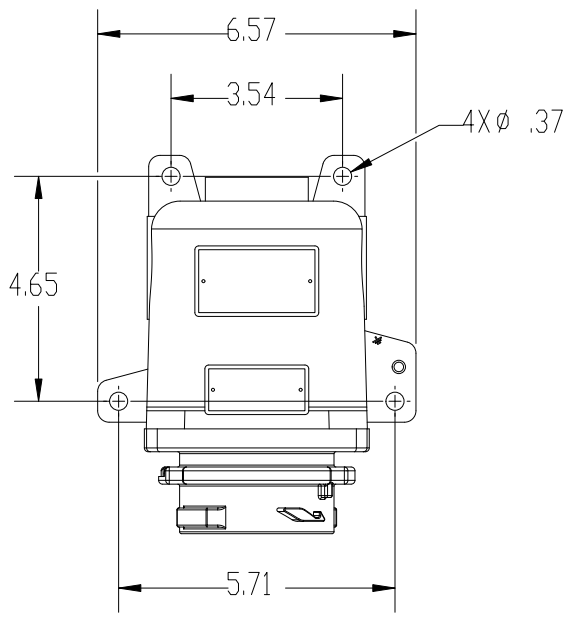
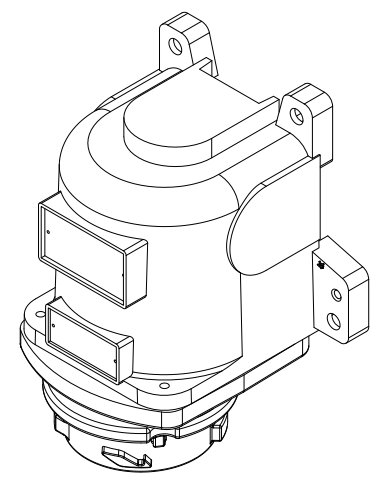


This drawing is the property of MELTRIC Corporation, Franklin (Milwaukee), Wisconsin, USA. Any unauthorized copying of this drawing by any means, or disclosure of its contents to any person not authorized by MELTRIC Corporation or its agents to receive it, is strictly prohibited.



PART NUMBER	NPT SIZE
26-26xxx-12	1/2" NPT
26-26xxx-34	3/4" NPT
26-26xxx	1" NPT



TOLERANCES UNLESS OTHERWISE SPECIFIED		 A COMPANY OF MARÉCHAL ELECTRIC		
MACHINED SURFACES	$\sqrt{125} \text{ MAX}$			DRAWN: _____ APPROVED: _____
GROUND SURFACES	$\sqrt{32} \text{ MAX}$	DATE: _____	SCALE: NTS	MATERIAL: METAL
ANGLE TOLERANCE	$\pm 1^\circ$	SHEET: 1 OF 1	PART NUMBER: 26-26xxx-xx	REVISION: _____
REMOVE BURRS & SHARP EDGES TO .015 MAX.		DIMENSIONS SHOWN IN OVALS ARE INSPECTION DIMENSIONS.		