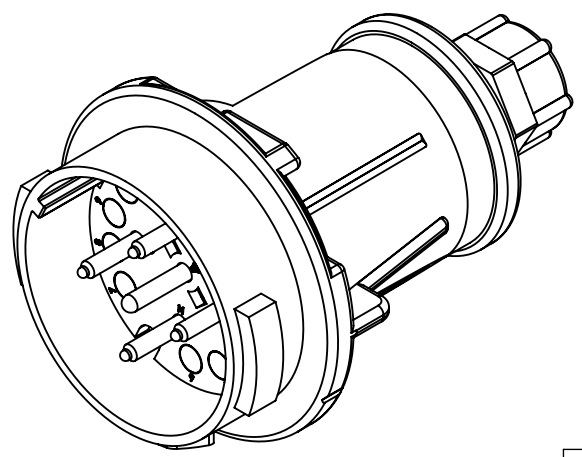
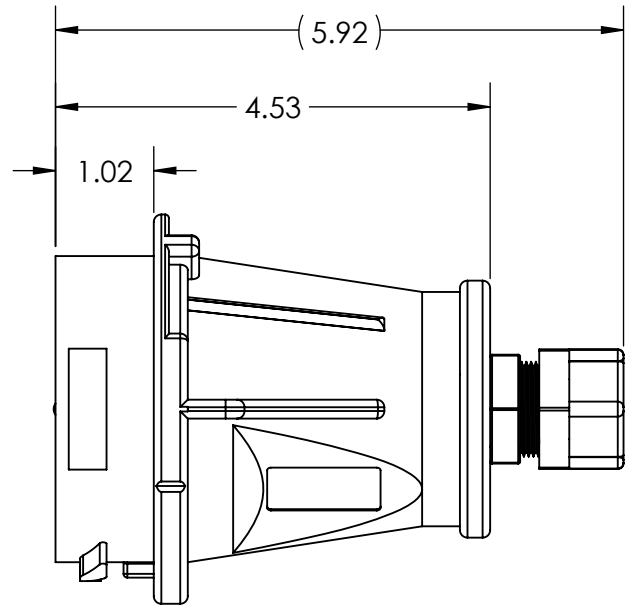
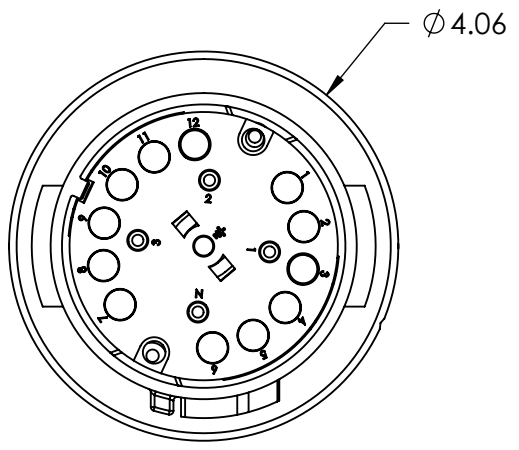



This drawing is the property of MELTRIC Corporation, Franklin (Milwaukee) Wisconsin, USA. Any unauthorized copying of this drawing by any means, ENG/RD/06 REV: 20 ISSUED DATE: 1/15/11 or disclosure of its contents to any person not authorized by MELTRIC Corporation or its agents to receive it, is strictly prohibited.

G F E D C B A



PART NUMBER	CABLE RANGE
26-21xxx	.31" - .51"
26-21xxx-25M	.35" - .63"
26-21xxx-32M	.47" - .82"

TOLERANCES UNLESS OTHERWISE SPECIFIED		 A COMPANY OF MARECHAL ELECTRIC		DRAWING TITLE:	
MACHINED SURFACES $\sqrt{125}^{\text{MAX}}$ GROUND SURFACES $\sqrt{32}^{\text{MAX}}$ ANGLE TOLERANCE $\pm 1^\circ$ REMOVE BURRS & SHARP EDGES TO .015 MAX.	ENGLISH 0.X ± 0.05 0.XX ± 0.01 0.XXX ± 0.005			DRAWN: _____ DATE: _____	APPROVED: _____ SCALE: NTS MATERIAL: METAL
DIMENSIONS SHOWN IN OVALS ARE INSPECTION DIMENSIONS.		SHEET: 1 OF 1	PART NUMBER: 26-21xxx-xxx	REVISION: _____	

1
2
3
4
5
6