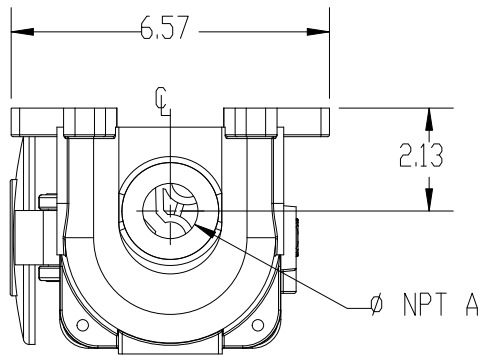
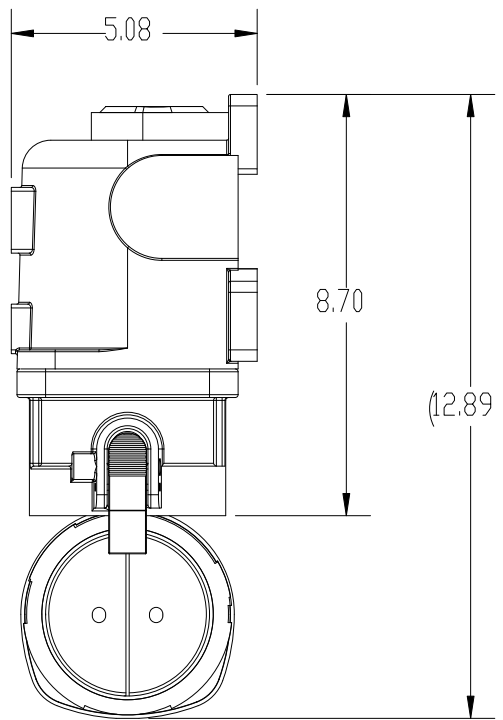
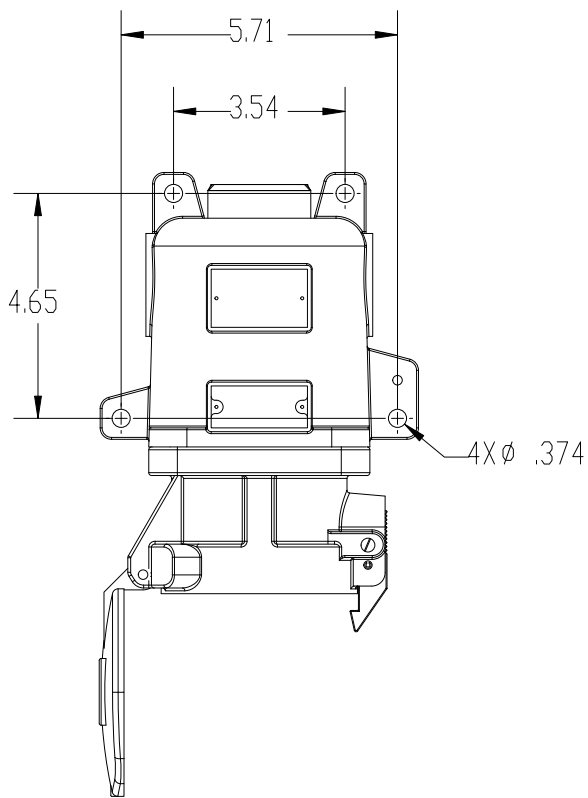
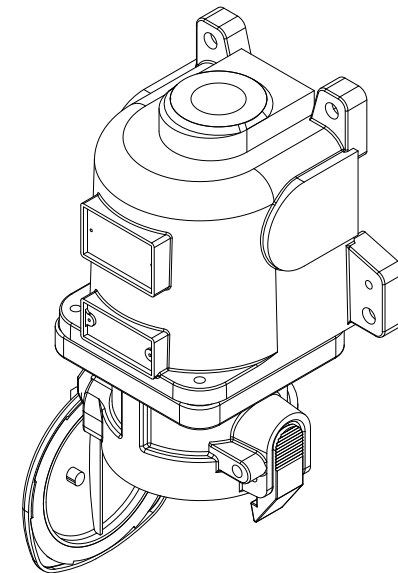


This drawing is the property of MELTRIC Corporation, Franklin (Milwaukee), Wisconsin, USA. Any unauthorized copying of this drawing by any means, or disclosure of its contents to any person not authorized by MELTRIC Corporation or its agents to receive it, is strictly prohibited.



PART NUMBER	NPT "A" SIZE
26-20xxx-12	1/2" NPT
26-20xxx-34	3/4" NPT
26-20xxx	1" NPT



TOLERANCES UNLESS OTHERWISE SPECIFIED		 A COMPANY OF MARÉCHAL ÉLECTRIC	
MACHINED SURFACES	125 $\sqrt{\text{MAX}}$		
GROUND SURFACES	32 $\sqrt{\text{MAX}}$	DATE:	
ANGLE TOLERANCE	$\pm 1^\circ$	SCALE	
REMOVE BURRS & SHARP EDGES TO .015 MAX.		NTS	
DIMENSIONS SHOWN IN OVALS ARE INSPECTION DIMENSIONS.	ENGLISH 0.X ± 0.05 0.XX ± 0.01 0.XXX ± 0.005	DRAWING TITLE:	
		DX1 RECEPTACLE ON BOX	
		SHEET:	PART NUMBER
		1 OF 1	26-20xxx-xx
		REVISION	