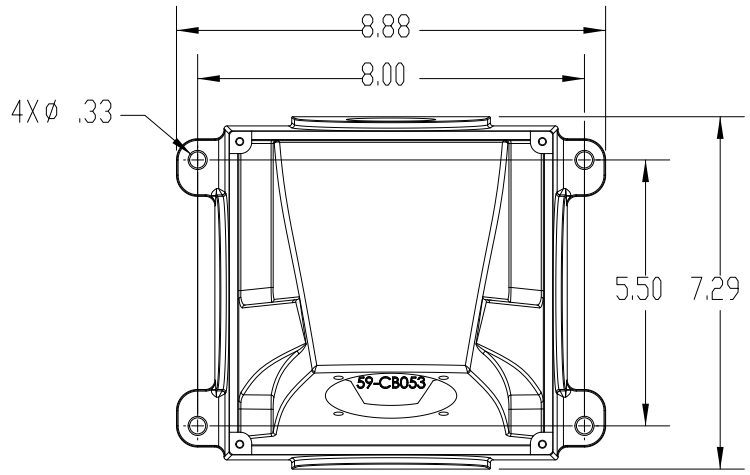
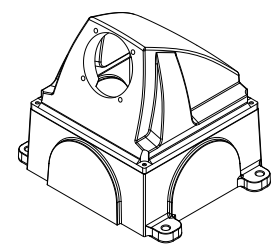
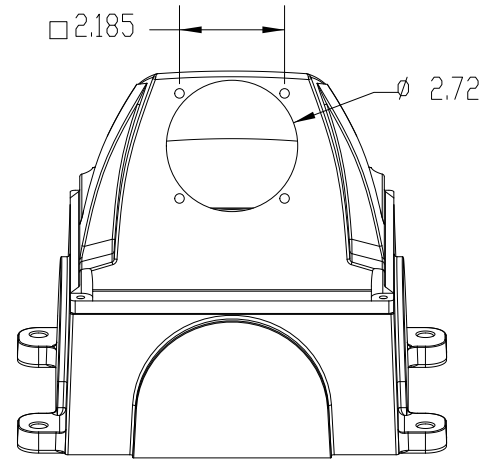
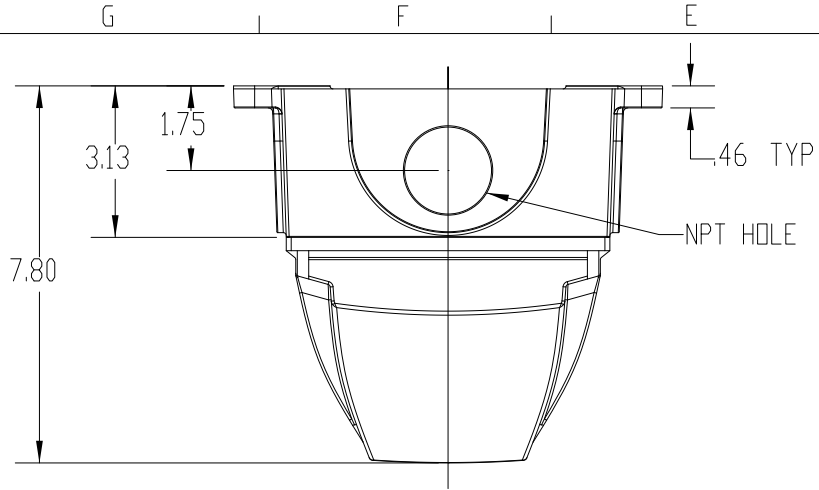
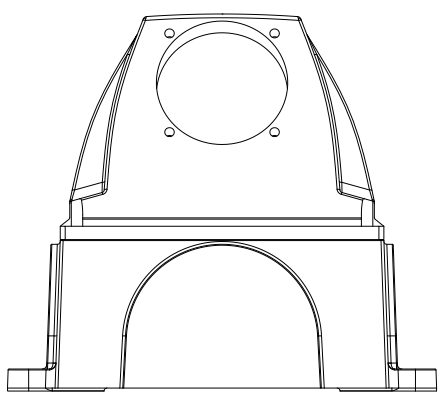
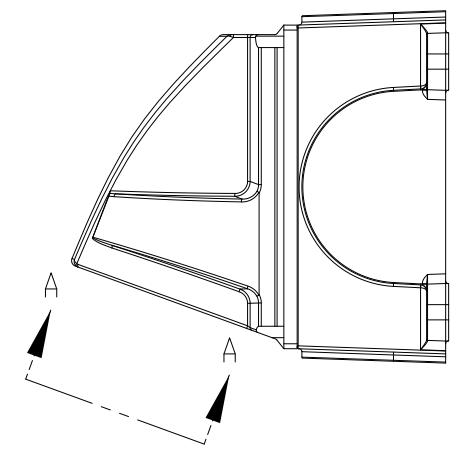


This drawing is the property of MELTRIC Corporation, Franklin (Milwaukee), Wisconsin, USA. Any unauthorized copying of this drawing by any means, or disclosure of its contents to any person not authorized by MELTRIC Corporation or its agents to receive it, is strictly prohibited.



VIEW A-A
 $\curvearrowright 70^\circ$



PART NUMBER	NPT SIZE
223C7N05	1/2" NPT
223C7N07	3/4" NPT
223C7N10	1" NPT
223C7N12	1-1/4" NPT
223C7N15	1-1/2" NPT

TOLERANCES UNLESS OTHERWISE SPECIFIED

MACHINED SURFACES	$125 \sqrt{\text{MAX}}$	ENGLISH 0.X ± 0.05 0.XX ± 0.01 0.XXX ± 0.005
GROUND SURFACES	$32 \sqrt{\text{MAX}}$	
ANGLE TOLERANCE	$\pm 1^\circ$	
REMOVE BURRS & SHARP EDGES TO .015 MAX.		
DIMENSIONS SHOWN IN OVALS ARE INSPECTION DIMENSIONS.		

MELTRIC
 A COMPANY OF MARÉCHAL ÉLECTRIQUE

DRAWN	APPROVED	DRAWING TITLE:	
DATE:	SCALE:	POLY 70° ANGLW W/METAL BOX W/NPT W/O TERMINAL BLOCKS	
SHEET:	NTS	MATERIAL:	
1 OF 1		BLACK METAL BOX WITH BLACK POLY ANGLE	
		PART NUMBER	REVISION
		23C7Nxx	