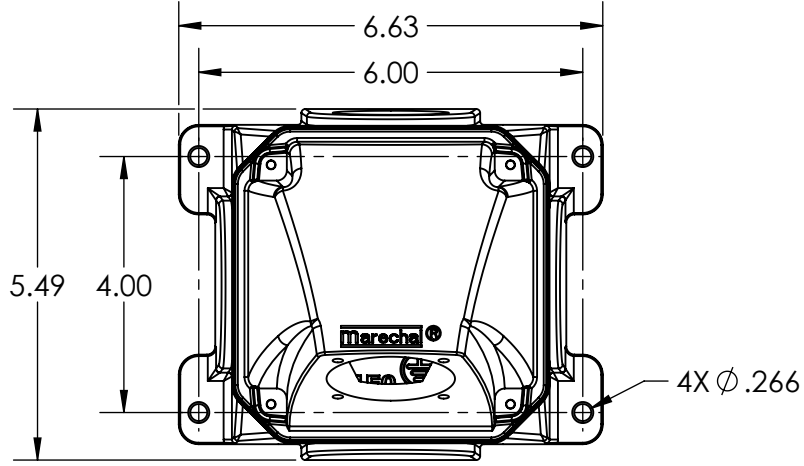
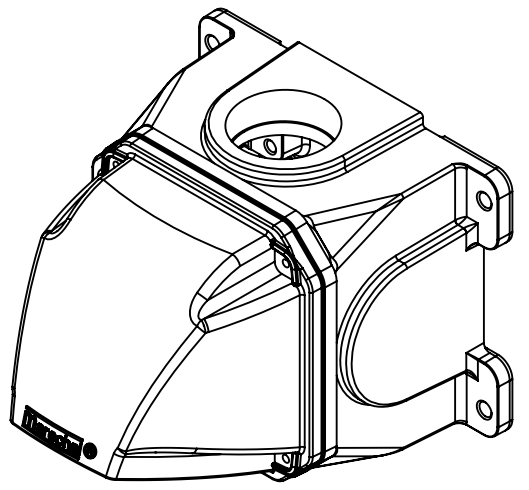
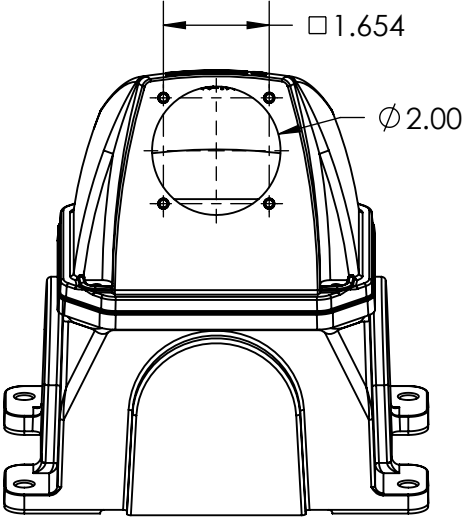
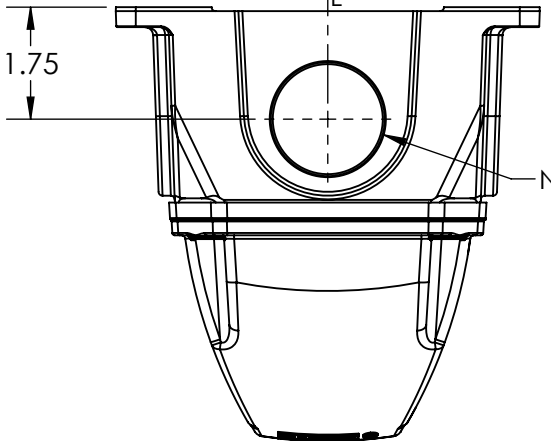
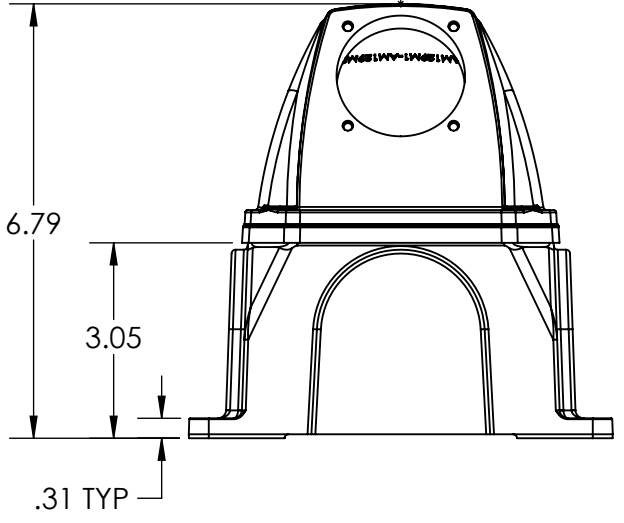
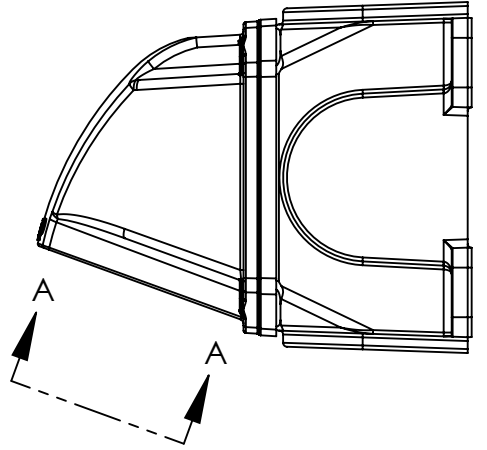


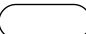
This drawing is the property of MELTRIC Corporation, Franklin (Milwaukee) Wisconsin, USA. Any unauthorized copying of this drawing by any means, ENGR/D/06 REV: 21 ISSUED DATE: 10/7/16 or disclosure of its contents to any person not authorized by MELTRIC Corporation or its agents to receive it, is strictly prohibited.




VIEW A-A
 $\curvearrowright 70^\circ$
 SCALE 1 : 3

PART NUMBER	NPT HOLE SIZE
221C7N05	1/2" NPT
221C7N07	3/4" NPT
221C7N10	1" NPT
221C7N12	1-1/4" NPT
221C7N15	1-1/2" NPT



TOLERANCES UNLESS OTHERWISE SPECIFIED	
MACHINED SURFACES $\sqrt[125]{\text{MAX}}$	ENGLISH
GROUND SURFACES $\sqrt[32]{\text{MAX}}$	
ANGLE TOLERANCE $\pm 1^\circ$	0.X ± 0.05
REMOVE BURRS & SHARP EDGES TO .015 MAX.	0.XX ± 0.01
 DIMENSIONS SHOWN IN OVALS ARE INSPECTION DIMENSIONS.	0.XXX ± 0.005

		DRAWING TITLE:	
DRAWN	APPROVED	DXN20 POLY ANGLE WITH METAL BOX	
DATE:		SCALE	MATERIAL:
		NPT	METAL BOX W/BLACK POLY ANGLE
SHEET:	PART NUMBER		REVISION
1 OF 1	221C7Nxx		