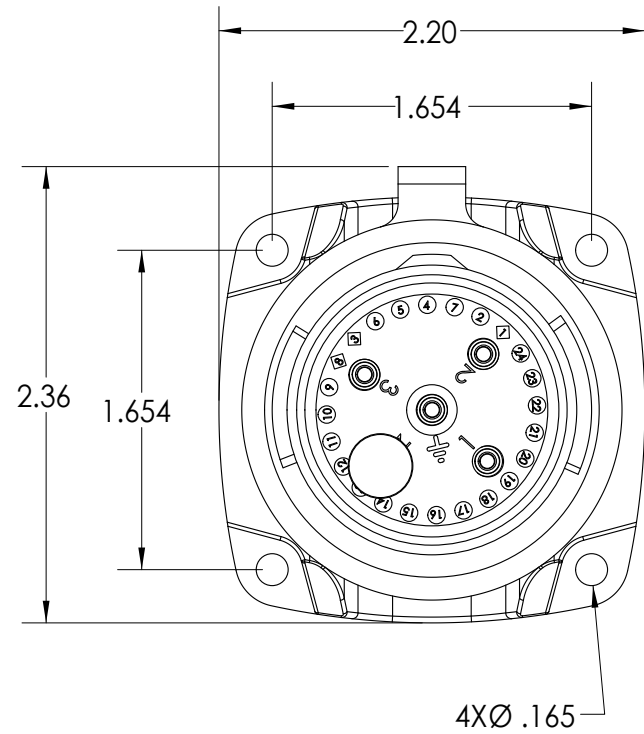
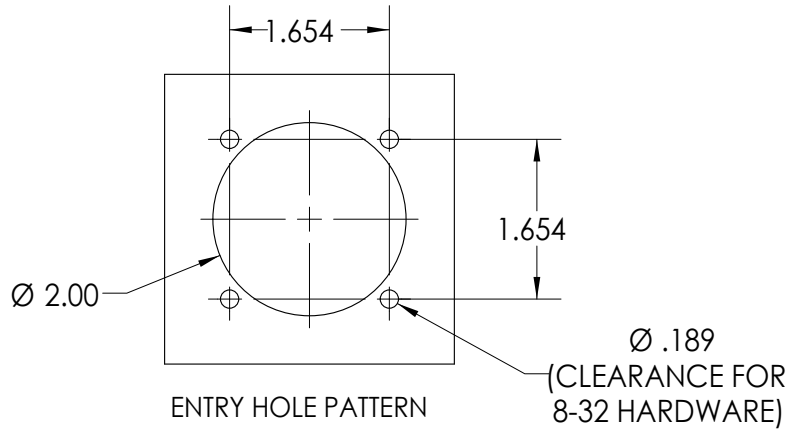
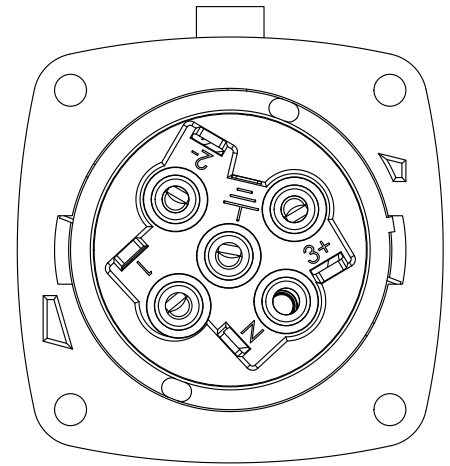
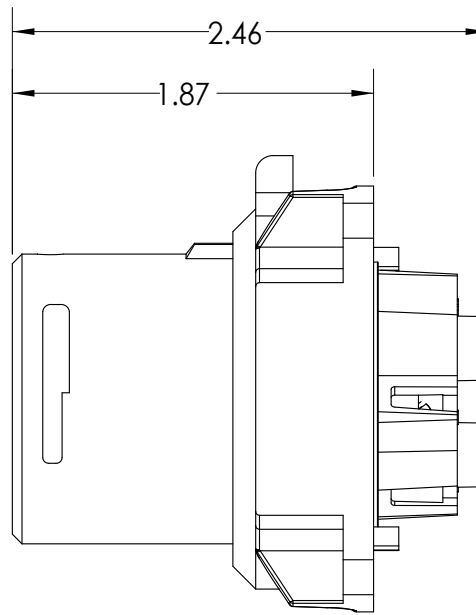


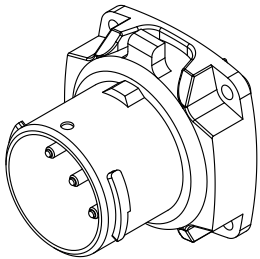
This drawing is the property of MELTRIC Corporation, Franklin (Milwaukee), Wisconsin, USA. Any unauthorized copying of this drawing by any means, or disclosure of its contents to any person not authorized by MELTRIC Corporation or its agents to receive it, is strictly prohibited.




4XØ .165



ENTRY HOLE PATTERN



| TOLERANCES UNLESS OTHERWISE SPECIFIED | | MELTRIC A COMPANY OF MARÉCHAL ELECTRIC | |
|--|---|---|--------------------------------|
| MACHINED SURFACES $\sqrt[125]{\text{MAX}}$ | ENGLISH 0.X ±0.05 0.XX ±0.01 0.XXX ±0.005 | DRAWN | APPROVED |
| GROUND SURFACES $\sqrt[32]{\text{MAX}}$ | | DATE: | DRAWING TITLE: DXN20 INLET |
| ANGLE TOLERANCE ±1° | | SCALE NTS | MATERIAL: BLACK POLY CASING |
| REMOVE BURRS & SHARP EDGES TO .015 MAX. | | SHEET: 1 OF 1 | PART NUMBER 22-18xxx |
|  DIMENSIONS SHOWN IN OVALS ARE INSPECTION DIMENSIONS. | | | REVISION |