

This drawing is the property of MELTRIC Corporation, Franklin (Milwaukee) Wisconsin, USA. Any unauthorized copying of this drawing by any means, ENG/RD/06 REV: 21 ISSUED DATE: 10/7/16 or disclosure of its contents to any person not authorized by MELTRIC Corporation or its agents to receive it, is strictly prohibited.

G F E D C B A

1

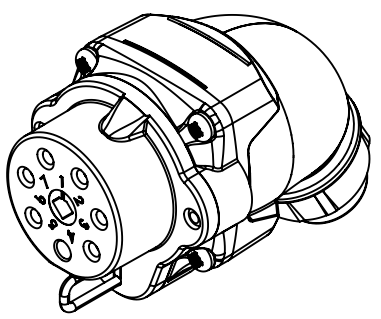
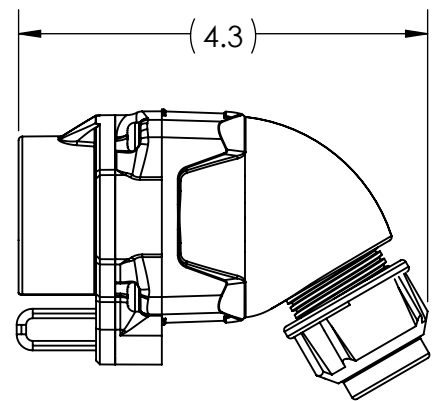
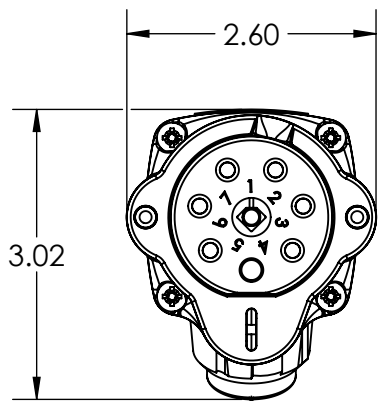
2

3

4

5

6



|   |   |   |   |
|---|---|---|---|
| TOLERANCES UNLESS OTHERWISE SPECIFIED   |   | <br><b>MELTRIC</b><br><small>A COMPANY OF MARÉCHAL ELECTRIC</small> |   |
| MACHINED SURFACES $\sqrt[125]{\text{MAX}}$<br>GROUND SURFACES $\sqrt[32]{\text{MAX}}$<br>ANGLE TOLERANCE $\pm 1^\circ$<br>REMOVE BURRS & SHARP EDGES TO .015 MAX. | ENGLISH<br>0.X $\pm 0.05$<br>0.XX $\pm 0.01$<br>0.XXX $\pm 0.005$ |   |   |
| DIMENSIONS SHOWN IN OVALS<br>ARE INSPECTION DIMENSIONS.   |   | SHEET:<br>1 OF 1  | PART NUMBER: <b>15-C3036</b><br>REVISION: _____ |