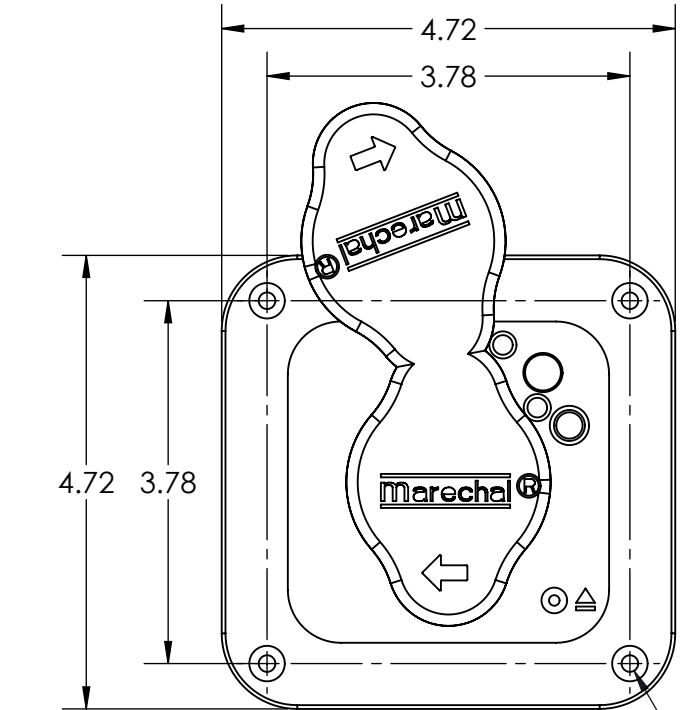
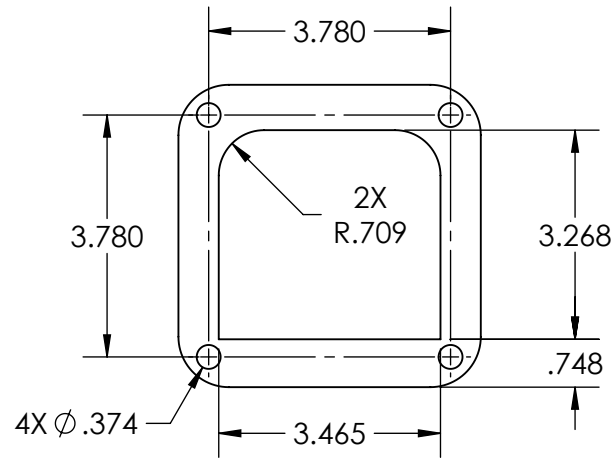
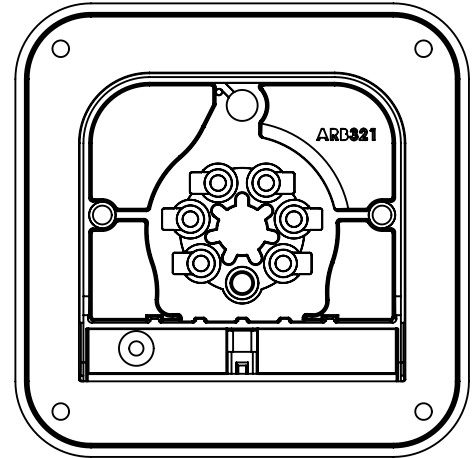
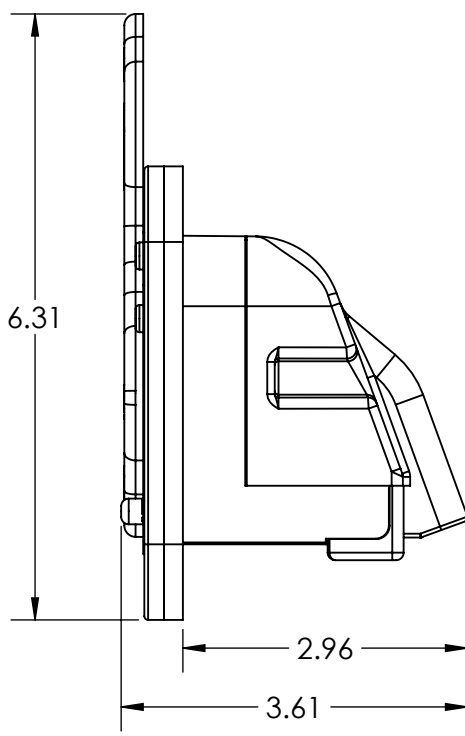


This drawing is the property of MELTRIC Corporation, Franklin (Milwaukee), Wisconsin, USA. Any unauthorized copying of this drawing by any means, ENGR/D/06 REV: 21 ISSUED DATE: 10/7/16 or disclosure of its contents to any person not authorized by MELTRIC Corporation or its agents to receive it, is strictly prohibited.

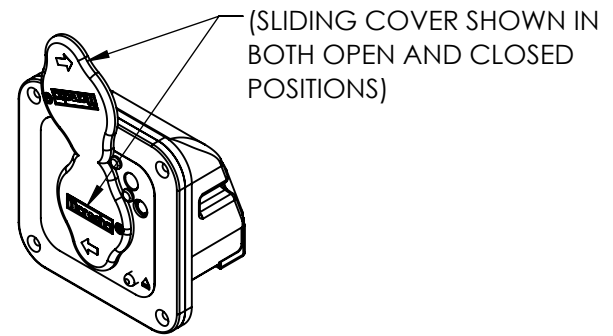


4X ϕ .173 THRU WITH
90° COUNTERSINK



ENTRY HOLE PATTERN

PART NUMBER	VOLTAGE
15-16016	220-250 VAC
15-16026	12 VDC
15-16046	24 VDC



TOLERANCES UNLESS OTHERWISE SPECIFIED		 A COMPANY OF MARECHAL ELECTRIC		DRAWING TITLE:	
MACHINED SURFACES $\sqrt[125]{\text{MAX}}$	ENGLISH			DRAWN	APPROVED
GROUND SURFACES $\sqrt[32]{\text{MAX}}$	0.X \pm 0.05 0.XX \pm 0.01 0.XXX \pm 0.005	DATE:		SCALE	MATERIAL:
ANGLE TOLERANCE \pm 1°		DATE:		NTS	POLY CASING
REMOVE BURRS & SHARP EDGES TO .015 MAX.	DIMENSIONS SHOWN IN OVALS ARE INSPECTION DIMENSIONS.	SHEET:		PART NUMBER	
		1 OF 1		15-160xx	
				REVISION	