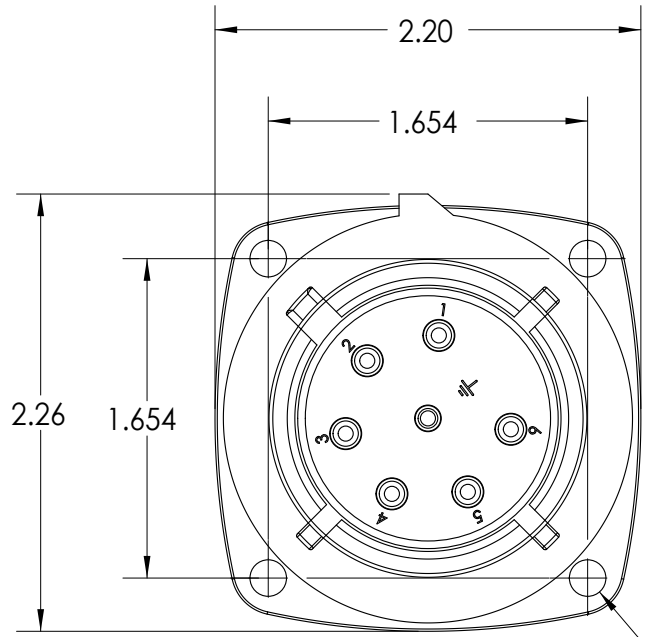
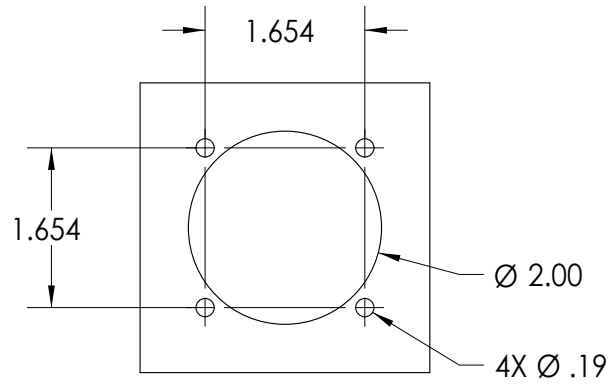
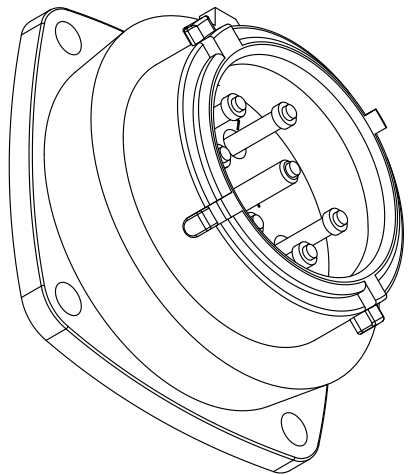
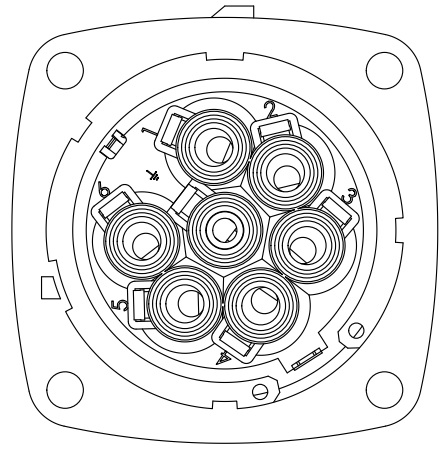
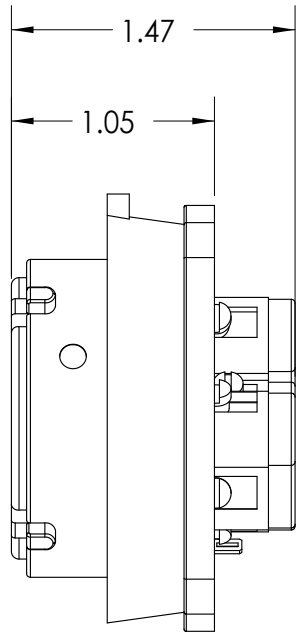


This drawing is the property of MELTRIC Corporation, Franklin (Milwaukee), Wisconsin, USA. Any unauthorized copying of this drawing by any means, or disclosure of its contents to any person not authorized by MELTRIC Corporation or its agents to receive it, is strictly prohibited.



4X Ø .19 THRU



ENTRY HOLE PATTERN

TOLERANCES UNLESS OTHERWISE SPECIFIED		 A COMPANY OF MARECHAL ELECTRIC		DRAWING TITLE:	
MACHINED SURFACES $\sqrt[125]{\text{MAX}}$	ENGLISH $0.X \pm 0.05$ $0.XX \pm 0.01$ $0.XXX \pm 0.005$			PN7c METAL INLET	
GROUND SURFACES $\sqrt[32]{\text{MAX}}$		DATE:	SCALE	BARE METAL CASING	
ANGLE TOLERANCE $\pm 1^\circ$			PART NUMBER		REVISION
REMOVE BURRS & SHARP EDGES TO .015 MAX.		SHEET:	07-P80x1		
DIMENSIONS SHOWN IN OVALS ARE INSPECTION DIMENSIONS.		1 OF 1			