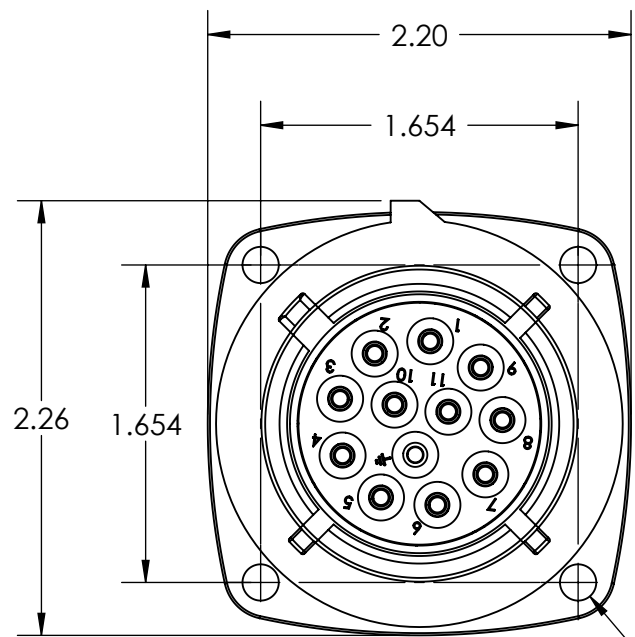
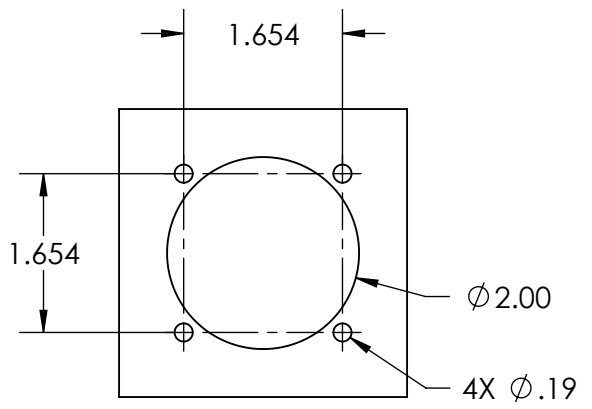
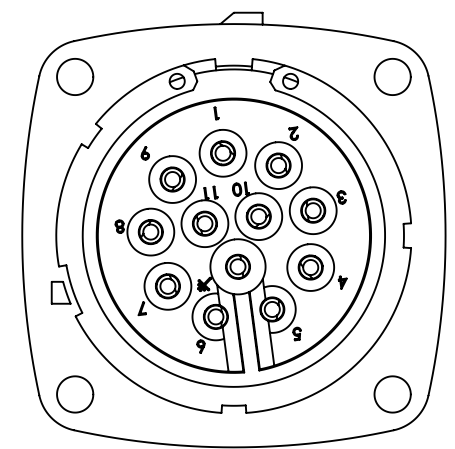
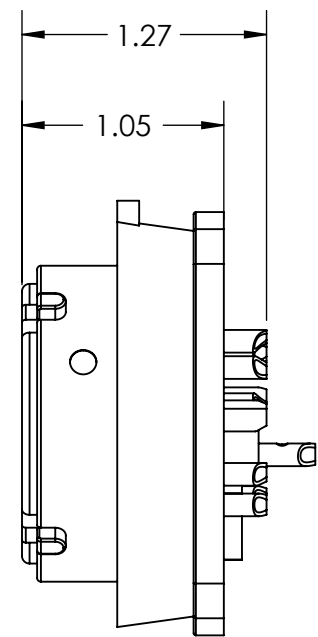


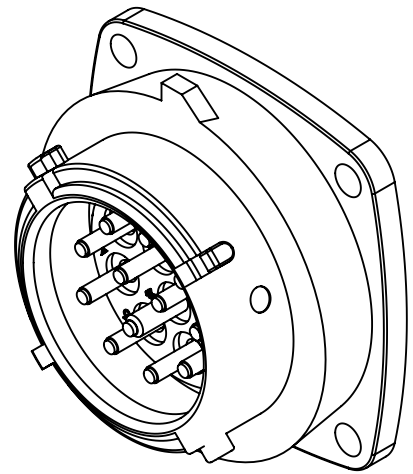
This drawing is the property of MELTRIC Corporation, Franklin (Milwaukee), Wisconsin, USA. Any unauthorized copying of this drawing by any means, ENG/RD/06 REV: 20 ISSUED DATE: 1/15/11 or disclosure of its contents to any person not authorized by MELTRIC Corporation or its agents to receive it, is strictly prohibited.



4X ϕ .19



ENTRY HOLE PATTERN



TOLERANCES UNLESS OTHERWISE SPECIFIED				DRAWING TITLE:	
MACHINED SURFACES $\sqrt{125}$ MAX	ENGLISH 0.X \pm0.05 0.XX \pm0.01 0.XXX \pm0.005			PN12c METAL INLET	
GROUND SURFACES $\sqrt{32}$ MAX		DATE:	SCALE	BARE METAL CASING	
ANGLE TOLERANCE $\pm 1^\circ$		SHEET:	1 OF 1	PART NUMBER	REVISION
REMOVE BURRS & SHARP EDGES TO .015 MAX.			07-A8001		
DIMENSIONS SHOWN IN OVALS ARE INSPECTION DIMENSIONS.					