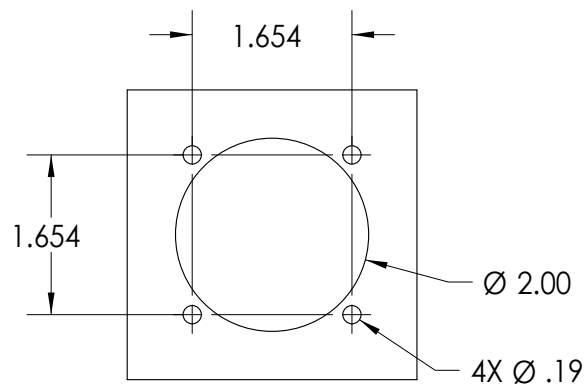
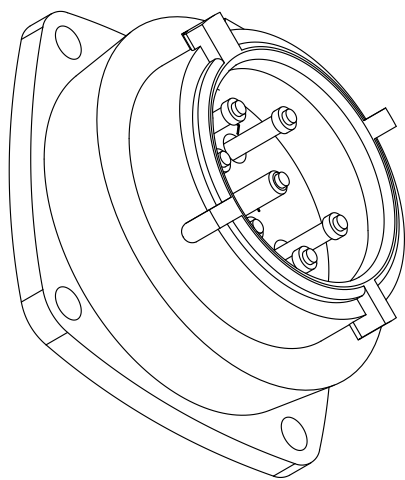
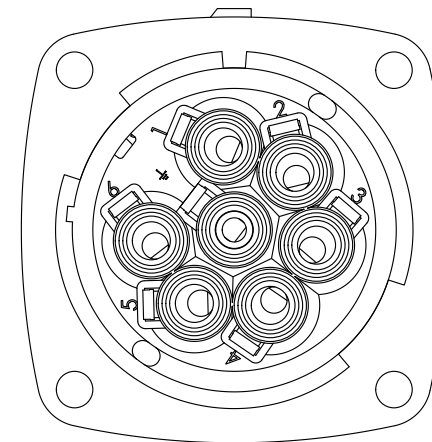
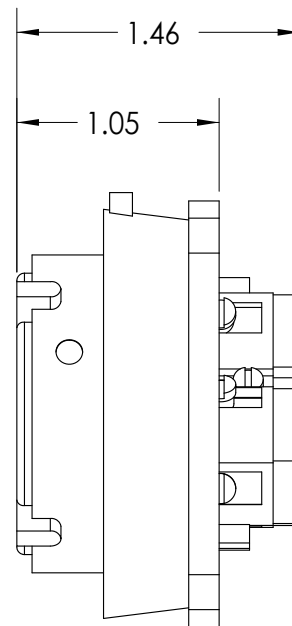
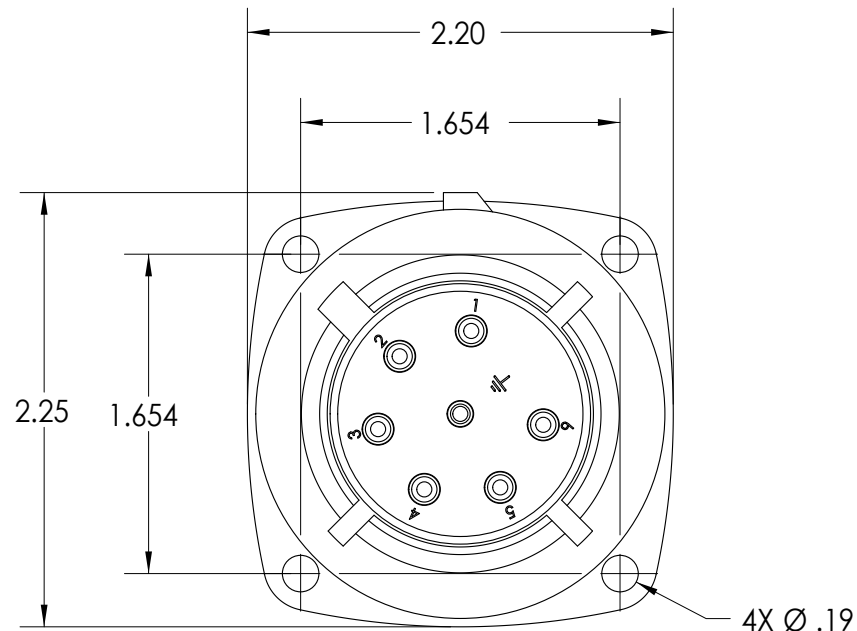


This drawing is the property of MELTRIC Corporation, Franklin (Milwaukee), Wisconsin, USA. Any unauthorized copying of this drawing by any means, or disclosure of its contents to any person not authorized by MELTRIC Corporation or its agents to receive it, is strictly prohibited.



ENTRY HOLE PATTERN

TOLERANCES UNLESS OTHERWISE SPECIFIED		 A COMPANY OF MARÉCHAL ELECTRIC	
MACHINED SURFACES $\sqrt{125 \text{ MAX}}$	ENGLISH $0.X \pm 0.05$ $0.XX \pm 0.01$ $0.XXX \pm 0.005$		
GROUND SURFACES $\sqrt{32 \text{ MAX}}$		DRAWING TITLE: PN7c POLY INLET	
ANGLE TOLERANCE $\pm 1^\circ$ REMOVE BURRS & SHARP EDGES TO .015 MAX.		DATE:	SCALE NTS
DIMENSIONS SHOWN IN OVALS ARE INSPECTION DIMENSIONS.	SHEET: 1 OF 1	PART NUMBER 03-P80x1	
			REVISION