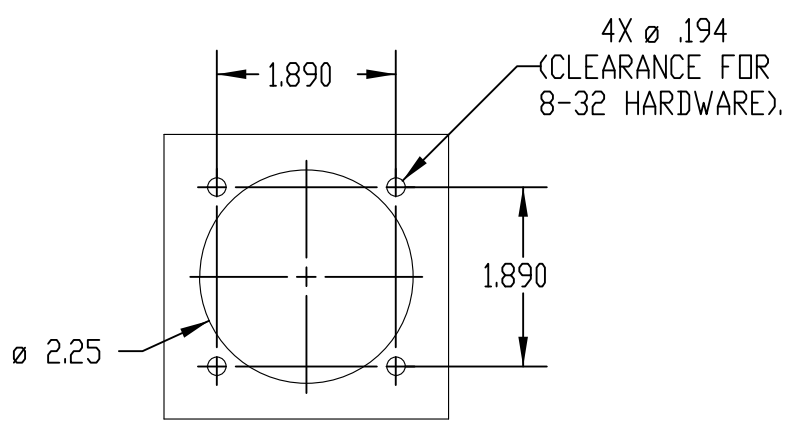
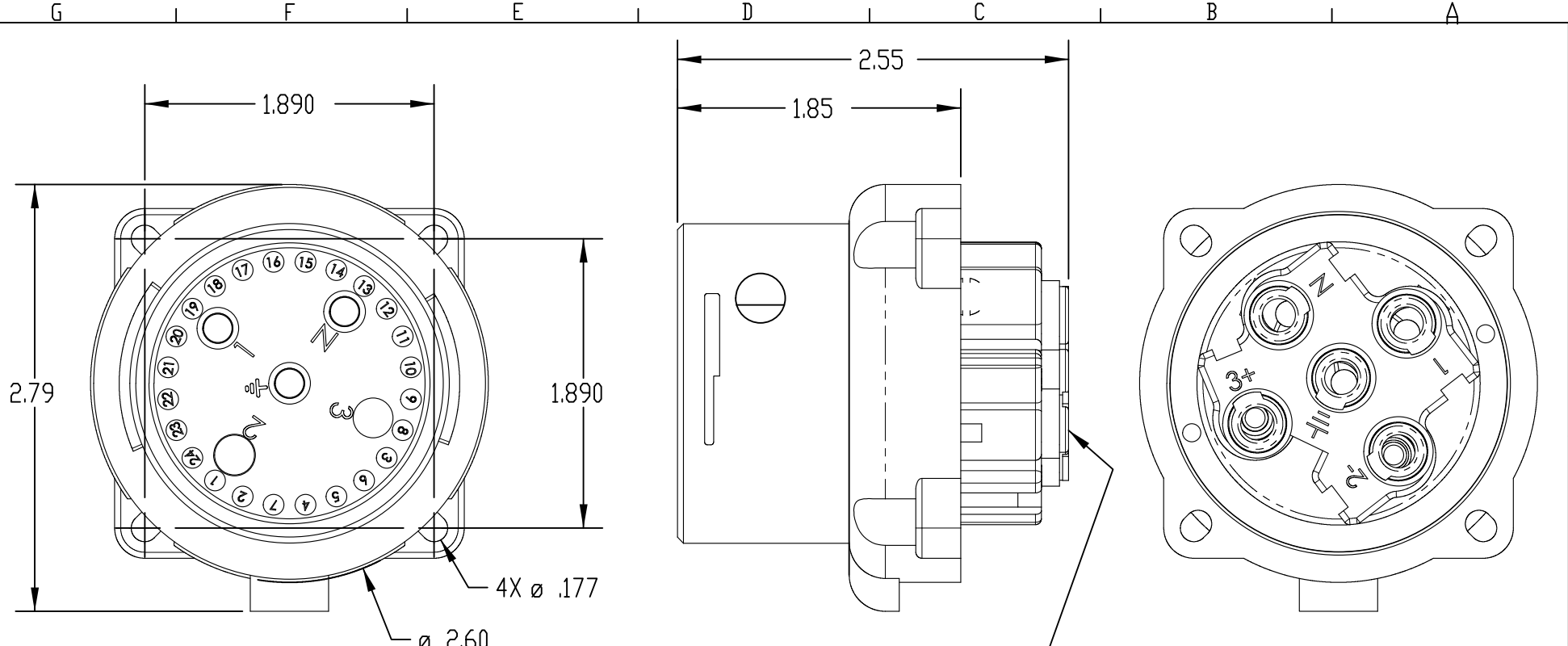


This drawing is the property of MELTRIC Corporation, Franklin (Milwaukee), Wisconsin, USA. Any unauthorized copying of this drawing by any means or disclosure of its contents to any person not authorized by MELTRIC Corporation or its agents to receive it, is strictly prohibited.

ENG/RD/06 REV. 20 ISSUED DATE: 11/15/11



ENTRY HOLE PATTERN

600 AND 750VDC
DEVICES WILL HAVE
JUMPERS & EXTRA
CONTACTS.

TOLERANCES UNLESS OTHERWISE SPECIFIED			
MACHINED SURFACES	125/32 MAX		
GROUND SURFACES	32/32 MAX	DRAWN: _____ APPROVED: _____ DATE: _____ SCALE: _____	
ANGLE TOLERANCE	±1°	DRAWING TITLE: DSDC1 INLET, ALL VOLTAGES/AMPERAGES	
REMOVE BURRS & SHARP EDGES TO .015 MAX.		MATERIAL: BLUE POLY CASING	
DIMENSIONS SHOWN IN OVALS ARE INSPECTION DIMENSIONS.		SHEET: 1 OF 1	PART NUMBER: 33-18xxx(-xxx)
		REVISION: _____	