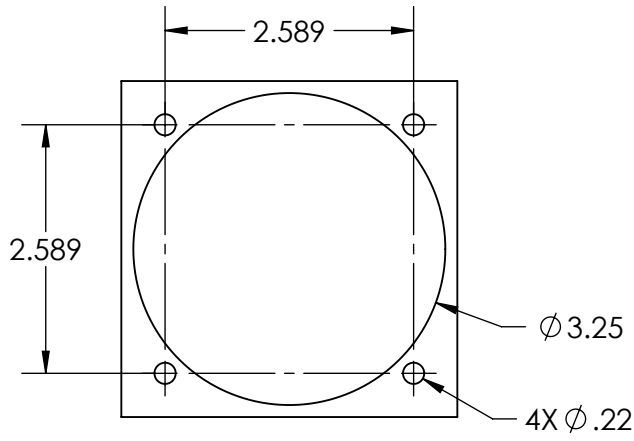
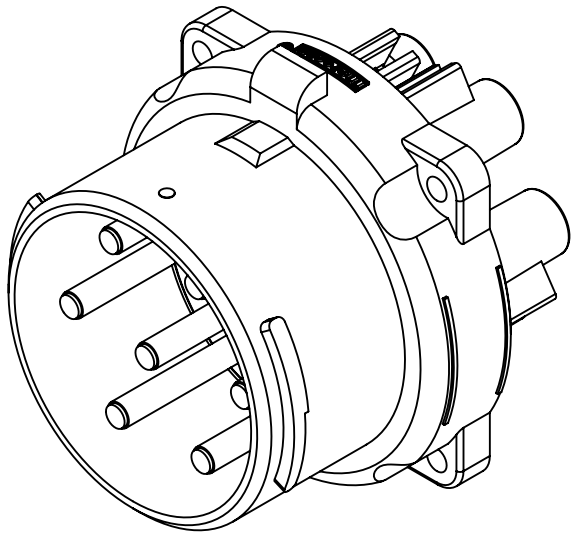
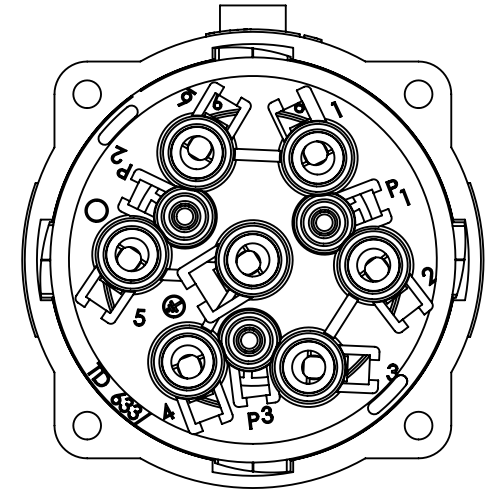
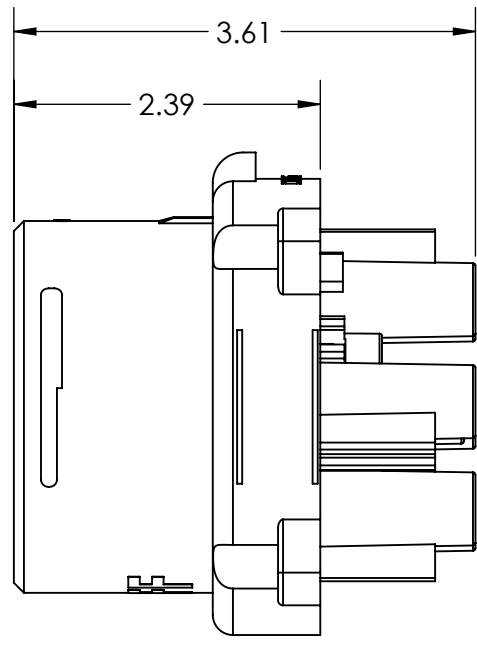
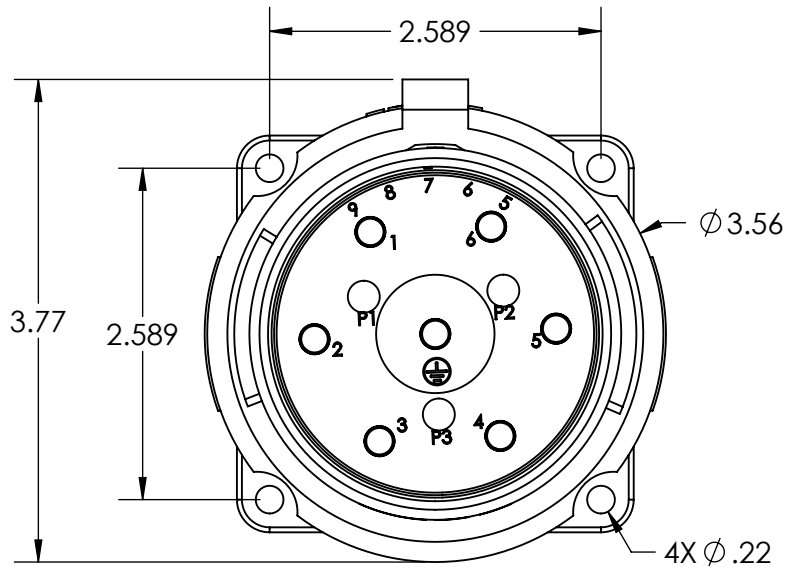


This drawing is the property of MELTRIC Corporation, Franklin (Milwaukee), Wisconsin, USA. Any unauthorized copying of this drawing by any means, ENG/RD/06 REV: 20 ISSUED DATE: 11/15/11 or disclosure of its contents to any person not authorized by MELTRIC Corporation or its agents to receive it, is strictly prohibited.



ENTRY HOLE PATTERN

TOLERANCES UNLESS OTHERWISE SPECIFIED				DRAWING TITLE:	
MACHINED SURFACES $\sqrt[125]{\text{MAX}}$	<b>ENGLISH</b> <b>0.X <math>\pm 0.05</math></b> <b>0.XX <math>\pm 0.01</math></b> <b>0.XXX <math>\pm 0.005</math></b>			DRAWN	APPROVED
GROUND SURFACES $\sqrt[32]{\text{MAX}}$		DATE:	SCALE	MATERIAL:	
ANGLE TOLERANCE $\pm 1^\circ$		SHEET:	NTS	BLUE POLY CASING	
REMOVE BURRS & SHARP EDGES TO .015 MAX.	1 OF 1	PART NUMBER		REVISION	
DIMENSIONS SHOWN IN OVALS ARE INSPECTION DIMENSIONS.	31-389xx				