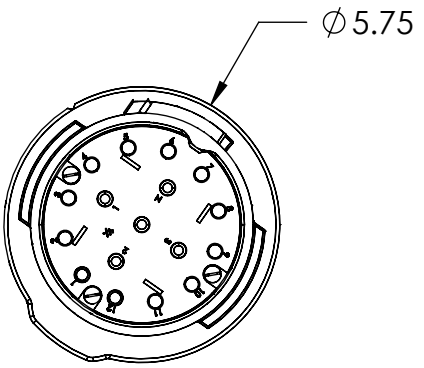
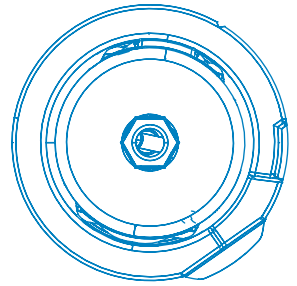
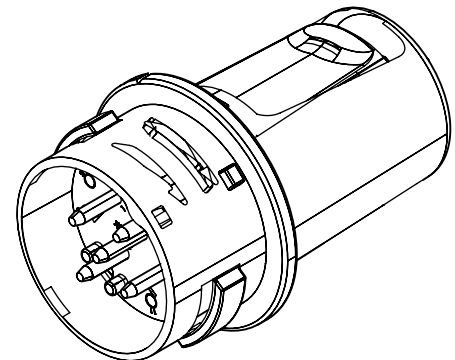
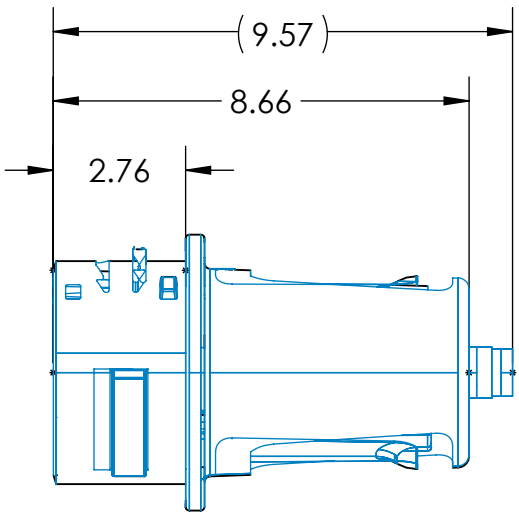



This drawing is the property of MELTRIC Corporation, Franklin (Milwaukee) Wisconsin, USA. Any unauthorized copying of this drawing by any means, ENGR/D06 REV: 20 ISSUED DATE: 1/15/11 or disclosure of its contents to any person not authorized by MELTRIC Corporation or its agents to receive it, is strictly prohibited.



PART NUMBER	CABLE RANGE
26-91xxx-32M	.47" - .83"
26-91xxx-40M	.63" - 1.06"
26-91xxx-50M	.91" - 1.38"
26-91xxx-63M	1.42" - 1.89"



TOLERANCES UNLESS OTHERWISE SPECIFIED		 MELTRIC A COMPANY OF MARÉCHAL ÉLECTRIC		DRAWING TITLE:	
MACHINED SURFACES $\sqrt[125]{\text{MAX}}$ GROUND SURFACES $\sqrt[32]{\text{MAX}}$ ANGLE TOLERANCE $\pm 1^\circ$ REMOVE BURRS & SHARP EDGES TO .015 MAX.	ENGLISH 0.X ±0.05 0.XX ±0.01 0.XXX ±0.005			DRAWN: _____ APPROVED: _____ DATE: _____	SCALE: NTS MATERIAL: METAL CASING
DIMENSIONS SHOWN IN OVALS ARE INSPECTION DIMENSIONS.		SHEET: 1 OF 1	PART NUMBER: 26-91xxx-xxx	REVISION: _____	