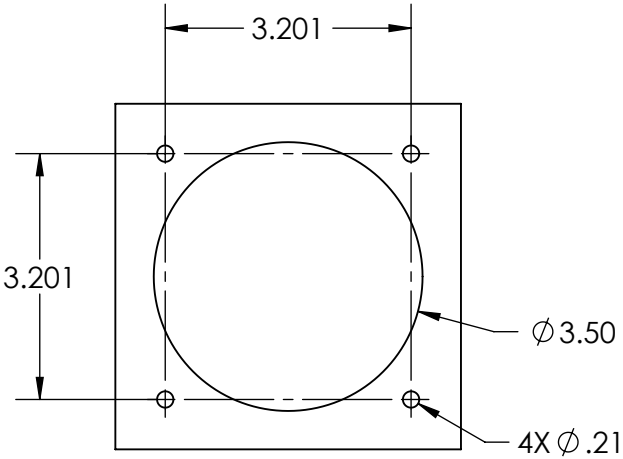
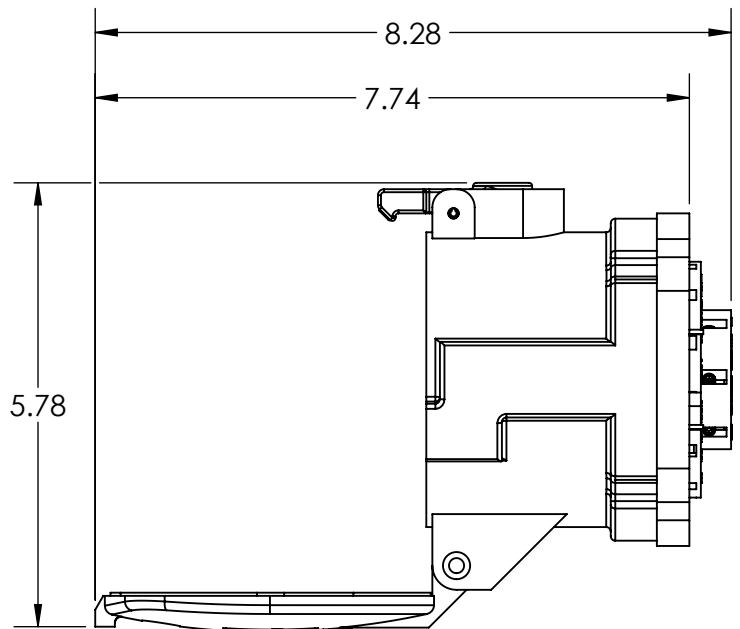
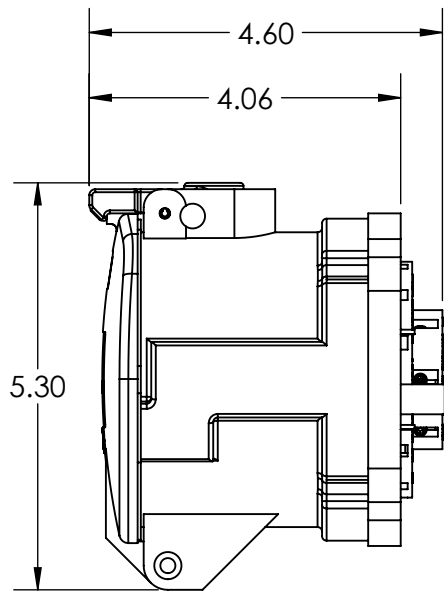
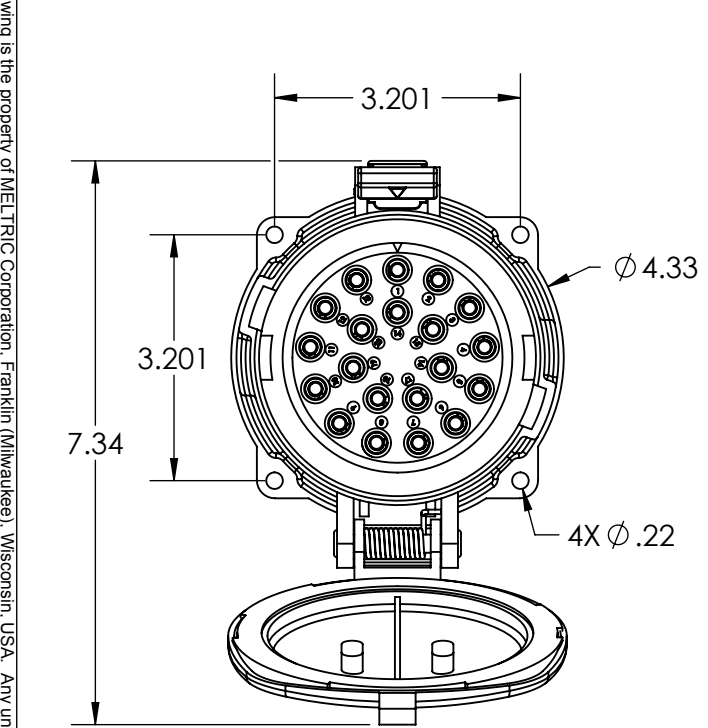


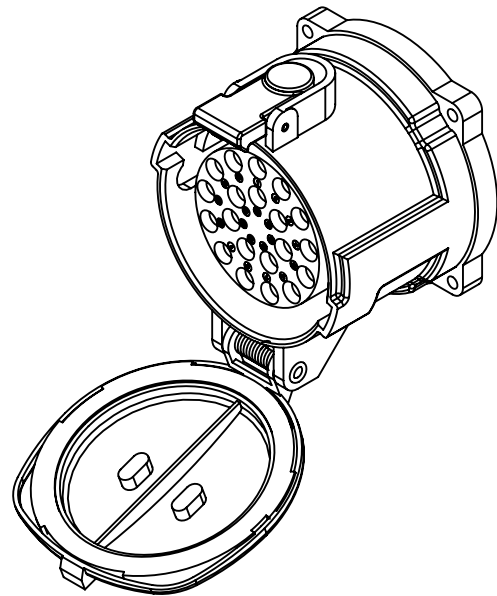
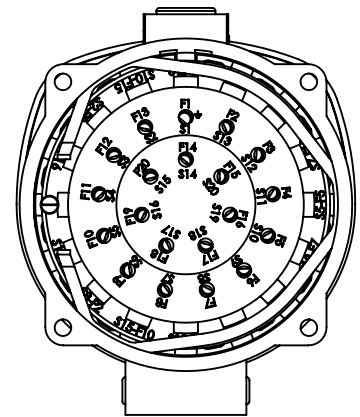
This drawing is the property of MELTRIC Corporation, Franklin (Milwaukee) Wisconsin, USA. Any unauthorized copying of this drawing by any means, ENG/RD/06 REV: 20 ISSUED DATE: 1/15/11 or disclosure of its contents to any person not authorized by MELTRIC Corporation or its agents to receive it, is strictly prohibited.

G F E D C B A



ENTRY HOLE PATTERN

RECEPTACLE CONTACT NUMBERS ARE REPRESENTED BY "S".



TOLERANCES UNLESS OTHERWISE SPECIFIED				ENGLISH 0.X ±0.05 0.XX ±0.01 0.XXX ±0.005	
MACHINED SURFACES	$\sqrt[125]{\text{MAX}}$				
GROUND SURFACES	$\sqrt[32]{\text{MAX}}$	DATE:		SCALE	MATERIAL:
ANGLE TOLERANCE	±1°	SHEET:		NTS	PAINTED METAL CASING
REMOVE BURRS & SHARP EDGES TO .015 MAX.		1 OF 1		PART NUMBER	REVISION
DIMENSIONS SHOWN IN OVALS ARE INSPECTION DIMENSIONS.		17-64xxx			

1
2
3
4
5
6