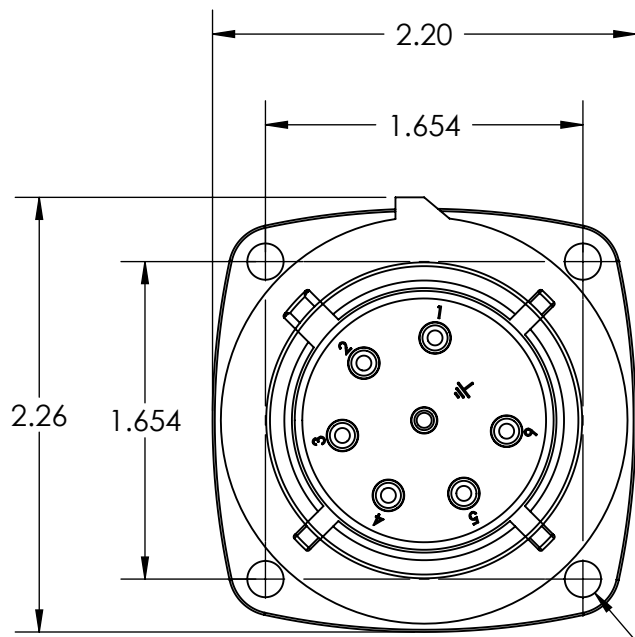
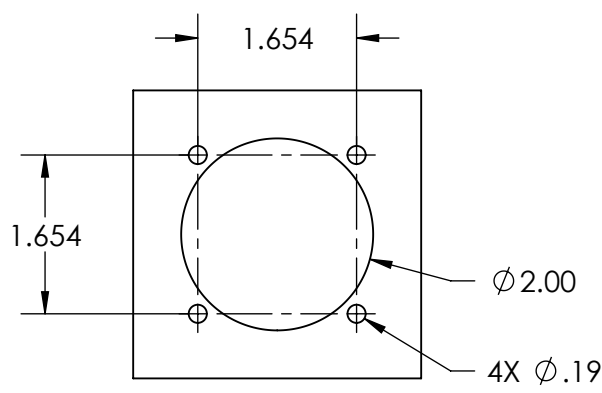
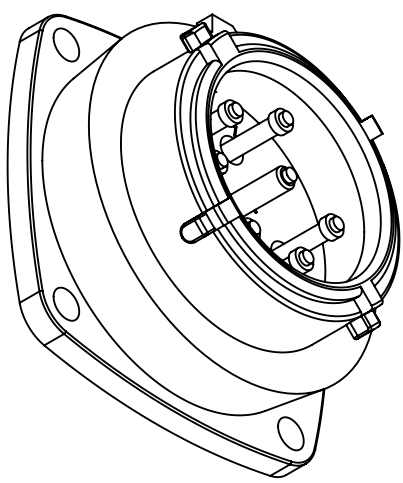
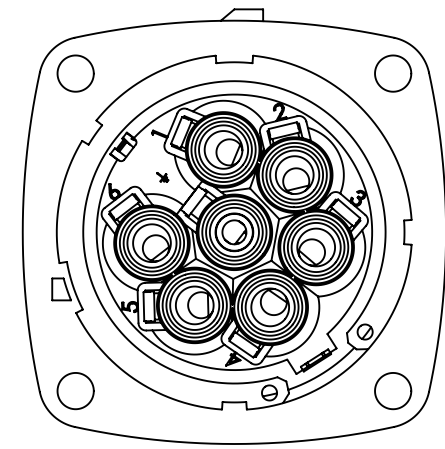
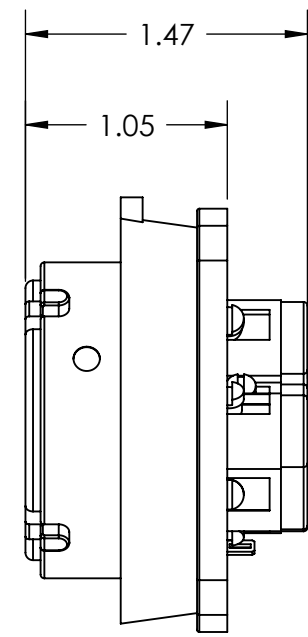


This drawing is the property of MELTRIC Corporation, Franklin (Milwaukee), Wisconsin, USA. Any unauthorized copying of this drawing by any means, ENG/RD/06 REV: 20 ISSUED DATE: 11/15/11 or disclosure of its contents to any person not authorized by MELTRIC Corporation or its agents to receive it, is strictly prohibited.



4X Ø.19 THRU



ENTRY HOLE PATTERN

| | | | | | |
|--|---|--------|----------|-------------------|----------|
| TOLERANCES UNLESS OTHERWISE SPECIFIED | | | | DRAWING TITLE: | |
| MACHINED SURFACES $\sqrt{125}$ MAX | ENGLISH 0.X ±0.05 0.XX ±0.01 0.XXX ±0.005 | | | PN7c METAL INLET | |
| GROUND SURFACES $\sqrt{32}$ MAX | | DATE: | SCALE | BARE METAL CASING | |
| ANGLE TOLERANCE ±1° REMOVE BURRS & SHARP EDGES TO .015 MAX. | | SHEET: | 1 OF 1 | PART NUMBER | REVISION |
| DIMENSIONS SHOWN IN OVALS ARE INSPECTION DIMENSIONS. | | | 09-P80x1 | | |