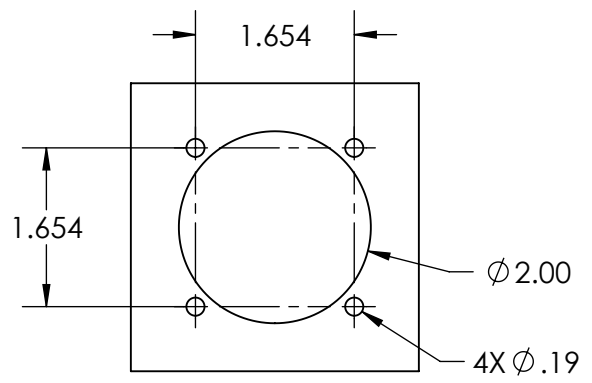
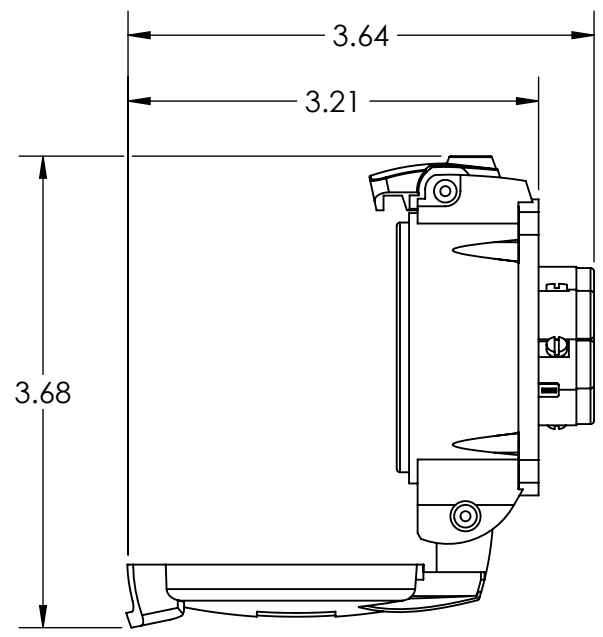
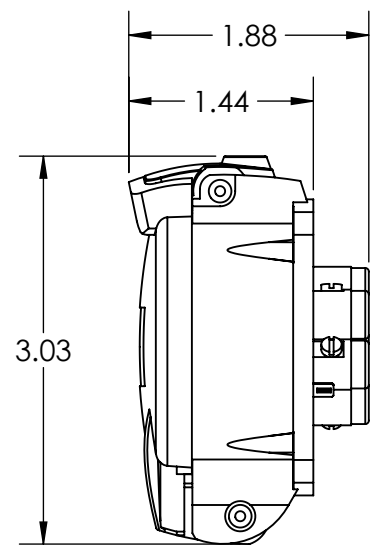
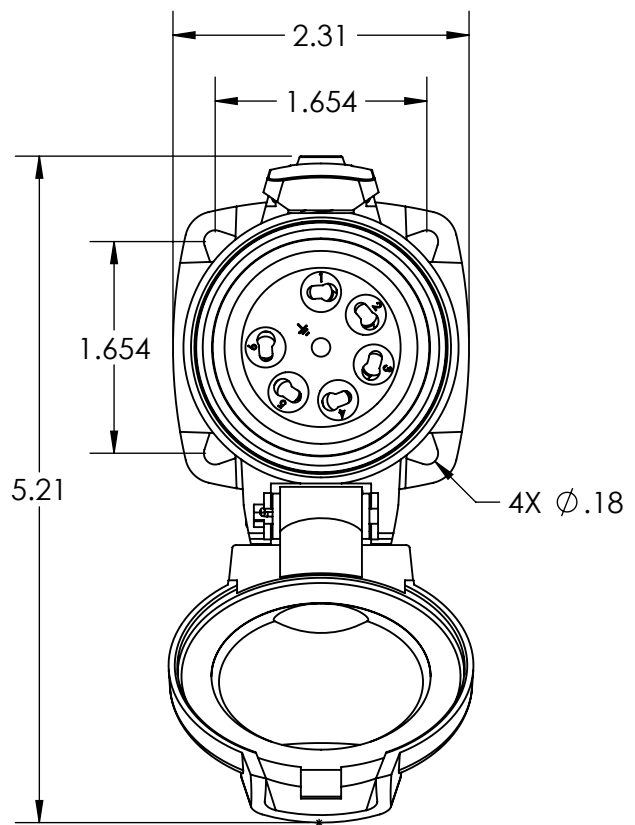
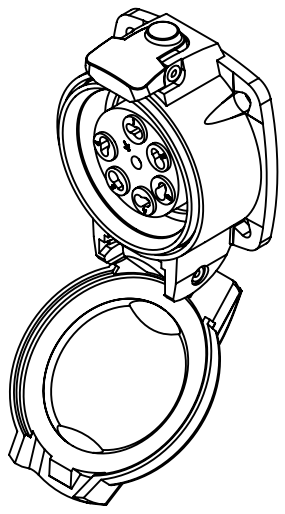
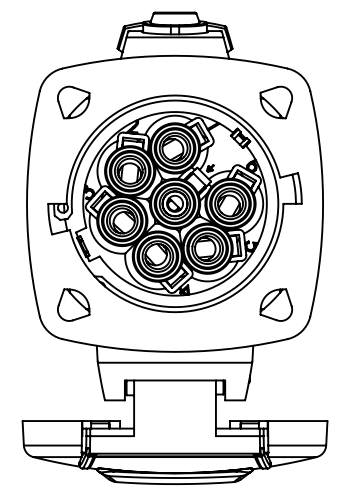


This drawing is the property of MELTRIC Corporation, Franklin (Milwaukee) Wisconsin, USA. Any unauthorized copying of this drawing by any means, ENG/RD/06 REV: 20 ISSUED DATE: 1/15/11 or disclosure of its contents to any person not authorized by MELTRIC Corporation or its agents to receive it, is strictly prohibited.



ENTRY HOLE PATTERN



TOLERANCES UNLESS OTHERWISE SPECIFIED				DRAWING TITLE:	
MACHINED SURFACES $\sqrt[125]{\text{MAX}}$	<b>ENGLISH</b> <b>0.X ±0.05</b> <b>0.XX ±0.01</b> <b>0.XXX ±0.005</b>			PN7c METAL RECEPTACLE	
GROUND SURFACES $\sqrt[32]{\text{MAX}}$		DATE:	SCALE	PAINTED METAL CASING	
ANGLE TOLERANCE ±1°	DIMENSIONS SHOWN IN OVALS ARE INSPECTION DIMENSIONS.	SHEET:	PART NUMBER		REVISION
REMOVE BURRS & SHARP EDGES TO .015 MAX.		1 OF 1	09-P40x1		