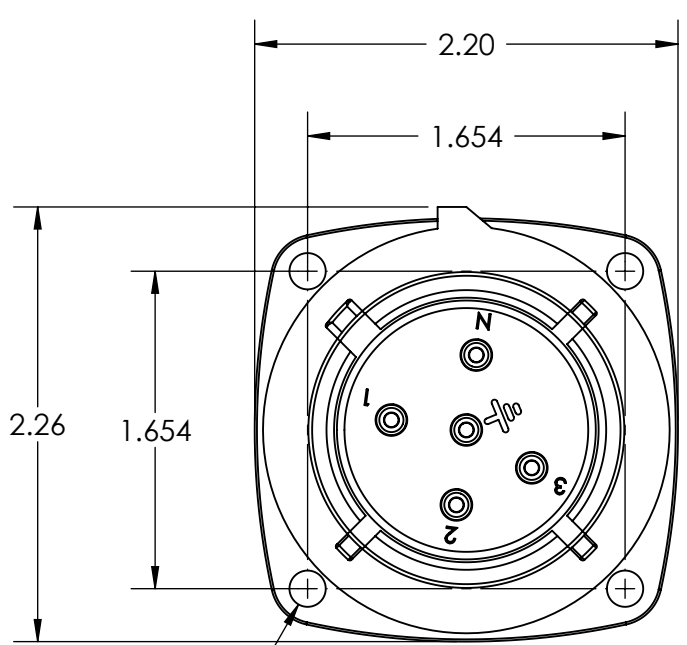
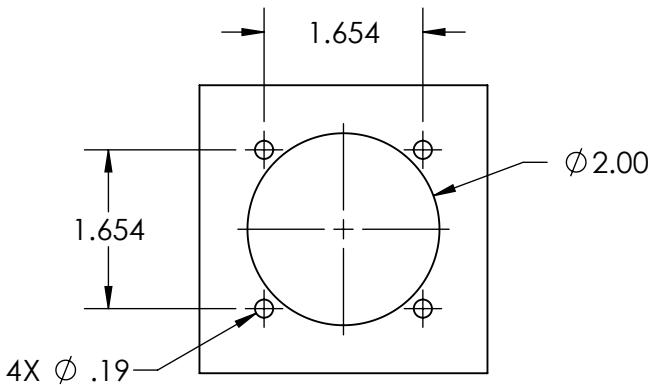
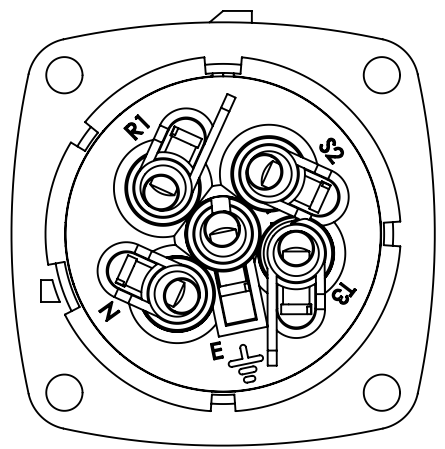
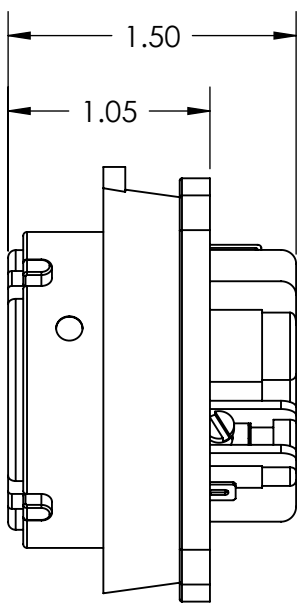


This drawing is the property of MELTRIC Corporation, Franklin (Milwaukee), Wisconsin, USA. Any unauthorized copying of this drawing by any means, ENG/RD/06 REV: 20 ISSUED DATE: 1/15/11 or disclosure of its contents to any person not authorized by MELTRIC Corporation or its agents to receive it, is strictly prohibited.

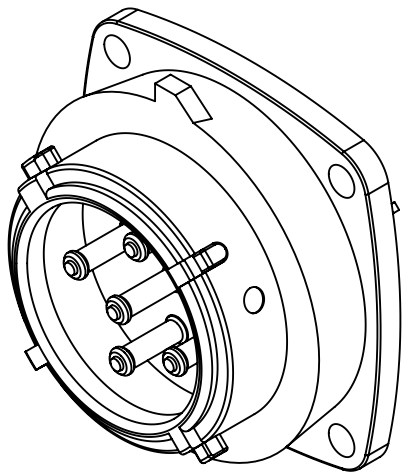


4X ϕ .189 THRU



ENTRY HOLE PATTERN

THE SAME MALE INLET IS USED FOR IP55 OR IP66+IP67 WATERTIGHT RATINGS.



TOLERANCES UNLESS OTHERWISE SPECIFIED				DRAWING TITLE:	
MACHINED SURFACES $\sqrt[125]{\text{MAX}}$	ENGLISH			DRAWN	APPROVED
GROUND SURFACES $\sqrt[32]{\text{MAX}}$	0.X \pm0.05 0.XX \pm0.01 0.XXX \pm0.005	DATE:	SCALE	MATERIAL:	REVISION
ANGLE TOLERANCE $\pm 1^\circ$		NTS	BARE METAL CASING		
REMOVE BURRS & SHARP EDGES TO .015 MAX.	DIMENSIONS SHOWN IN OVALS ARE INSPECTION DIMENSIONS.	SHEET:	PART NUMBER	09-N8xxx	
		1 OF 1			