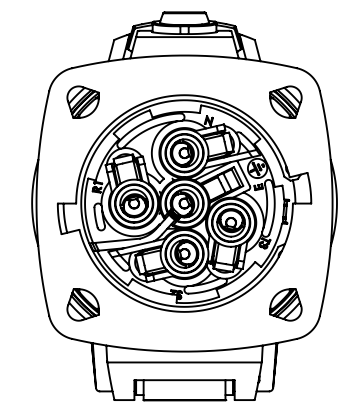
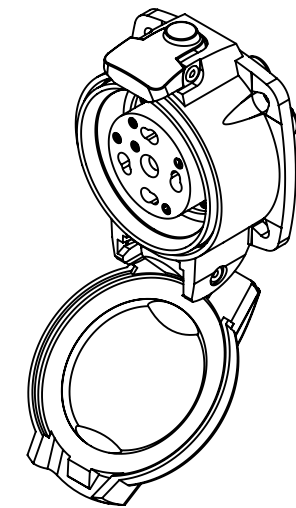
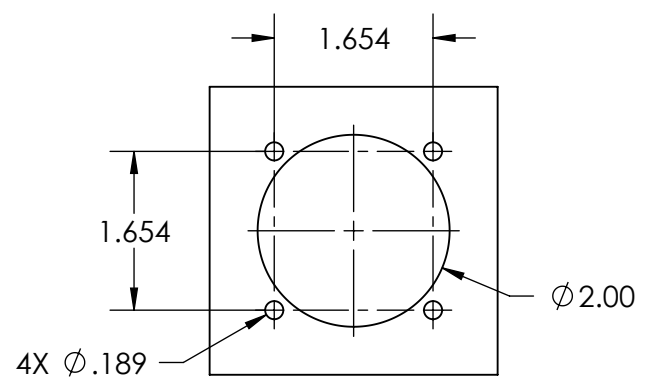
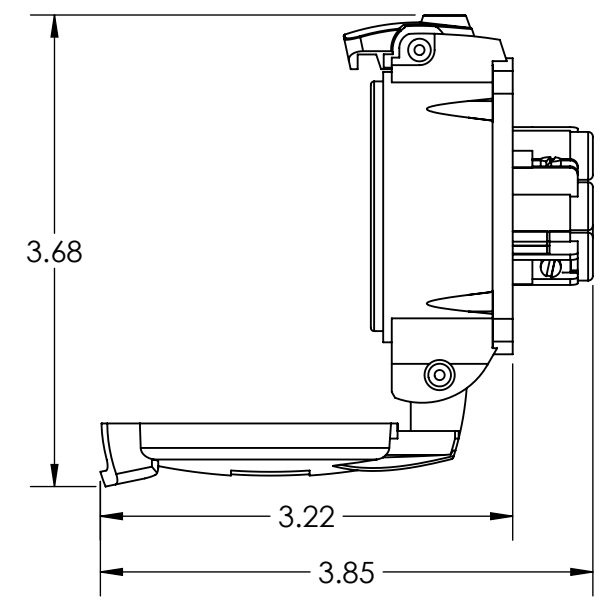
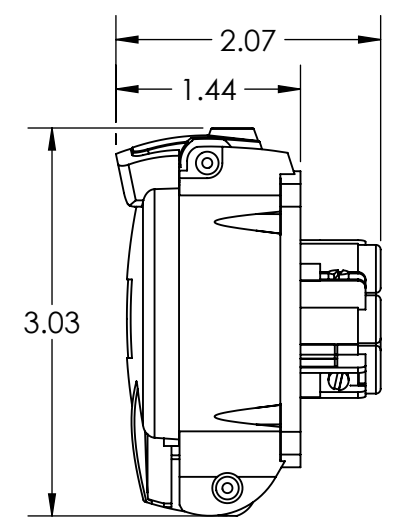
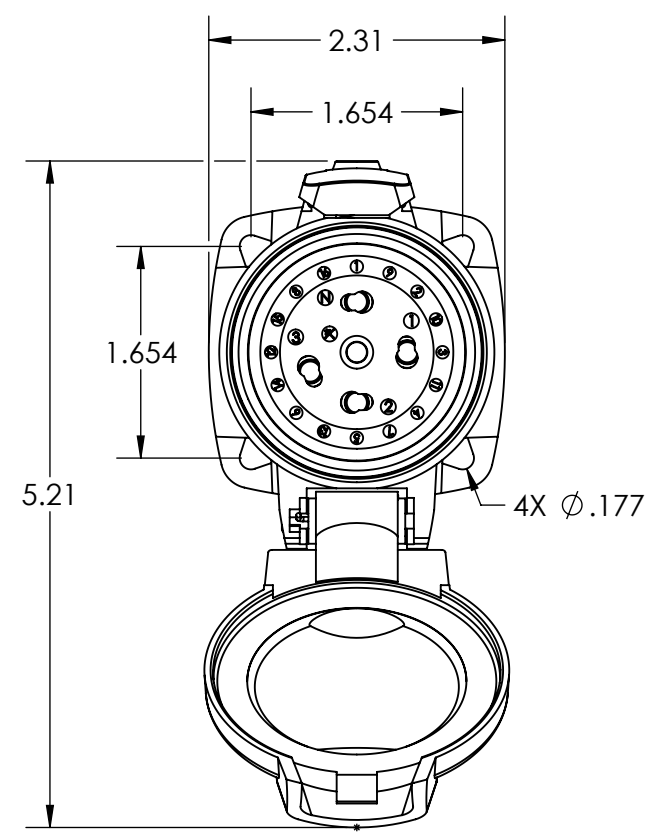


This drawing is the property of MELTRIC Corporation, Franklin (Milwaukee) Wisconsin, USA. Any unauthorized copying of this drawing by any means, ENG/RD/06 REV: 20 ISSUED DATE: 1/15/11 or disclosure of its contents to any person not authorized by MELTRIC Corporation or its agents to receive it, is strictly prohibited.



TOLERANCES UNLESS OTHERWISE SPECIFIED				ENGLISH 0.X ±0.05 0.XX ±0.01 0.XXX ±0.005	
MACHINED SURFACES	$\sqrt{125} \text{ MAX}$				
GROUND SURFACES	$\sqrt{32} \text{ MAX}$	DATE:		SCALE	MATERIAL:
ANGLE TOLERANCE	±1°	SHEET:		NTS	PAINTED METAL CASING
REMOVE BURRS & SHARP EDGES TO .015 MAX.		1 OF 1		PART NUMBER	
DIMENSIONS SHOWN IN OVALS ARE INSPECTION DIMENSIONS.		09-N4xxx		REVISION	