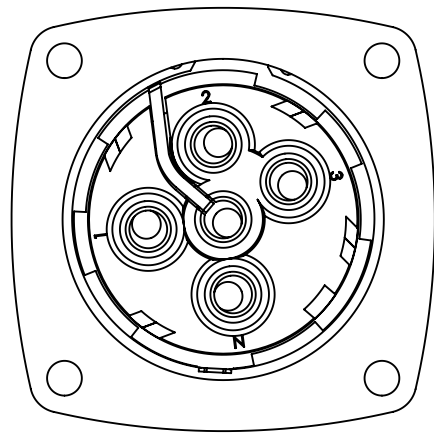
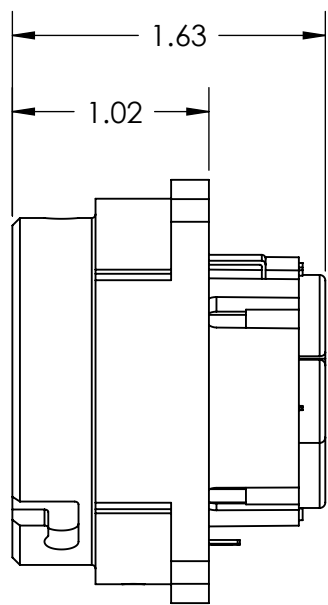
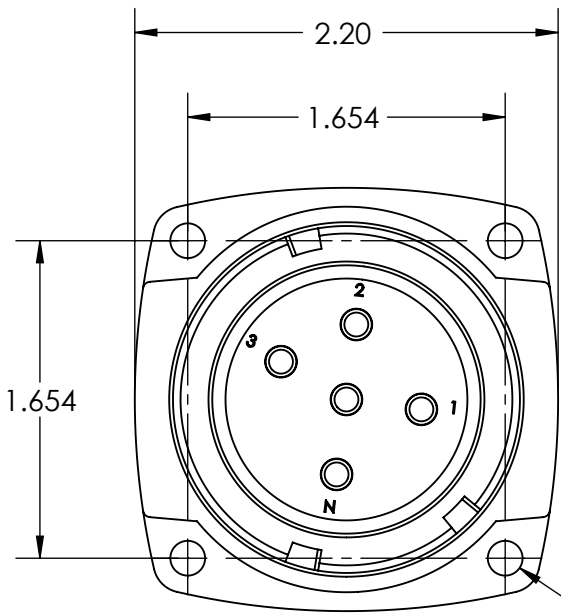
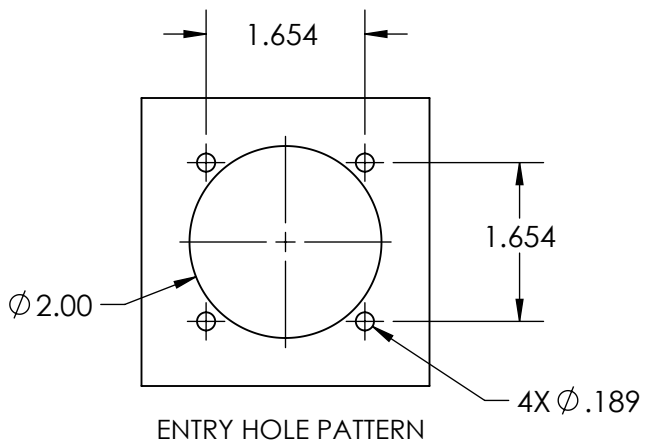
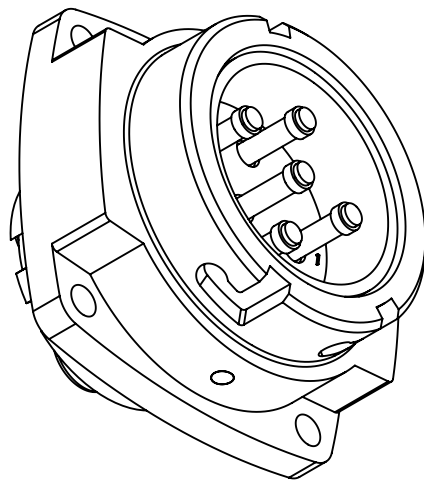


This drawing is the property of MELTRIC Corporation, Franklin (Milwaukee), Wisconsin, USA. Any unauthorized copying of this drawing by any means, ENG/RD/06 REV: 20 ISSUED DATE: 1/15/11 or disclosure of its contents to any person not authorized by MELTRIC Corporation or its agents to receive it, is strictly prohibited.



4X  $\phi$ .181



TOLERANCES UNLESS OTHERWISE SPECIFIED				DRAWING TITLE:	
MACHINED SURFACES $\sqrt[125]{\text{MAX}}$	<b>ENGLISH</b> <b>0.X <math>\pm</math>0.05</b> <b>0.XX <math>\pm</math>0.01</b> <b>0.XXX <math>\pm</math>0.005</b>			PNHT INLET, 20A	
GROUND SURFACES $\sqrt[32]{\text{MAX}}$		DATE:	SCALE	MATERIAL:	
ANGLE TOLERANCE $\pm 1^\circ$			NTS	BARE METAL CASING	
REMOVE BURRS & SHARP EDGES TO .015 MAX.		SHEET:	PART NUMBER		
DIMENSIONS SHOWN IN OVALS ARE INSPECTION DIMENSIONS.		1 OF 1	09-280xx-185	REVISION	