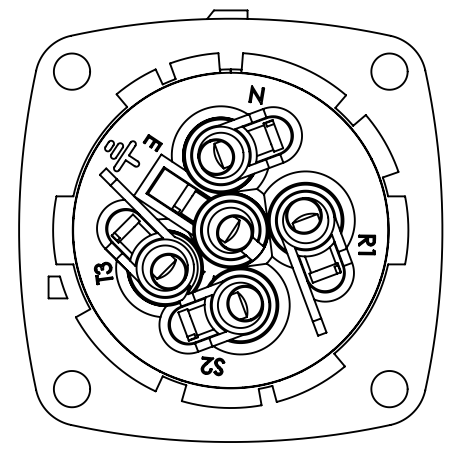
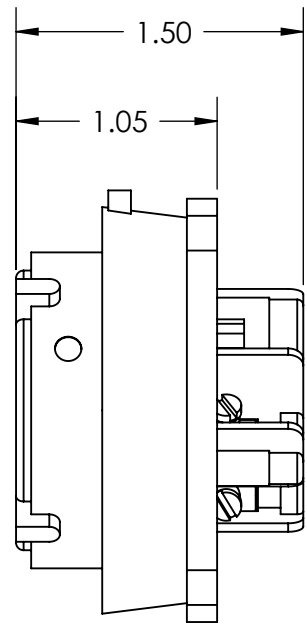
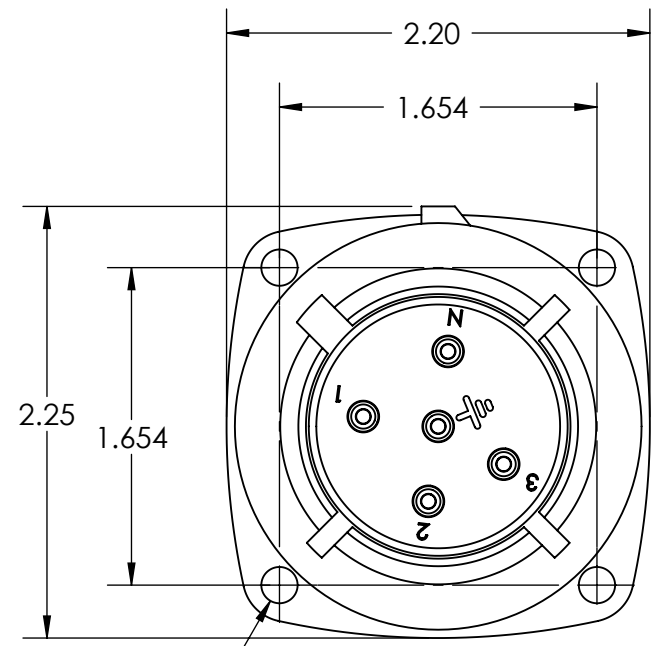
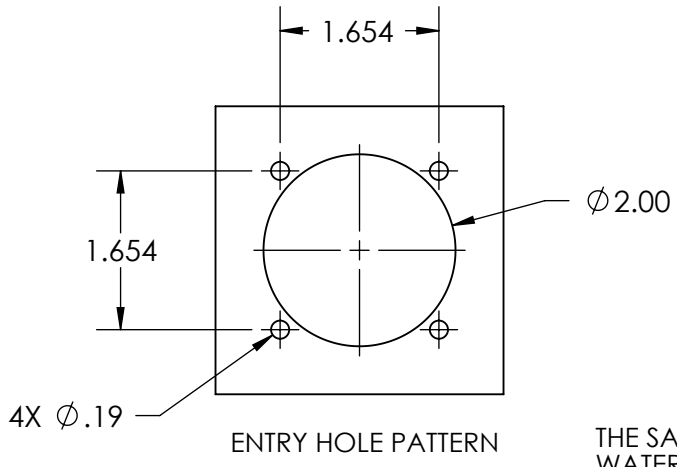
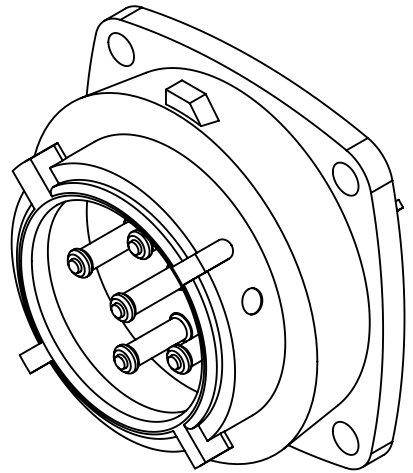


This drawing is the property of MELTRIC Corporation, Franklin (Milwaukee), Wisconsin, USA. Any unauthorized copying of this drawing by any means, ENG/RD/06 REV: 20 ISSUED DATE: 11/15/11 or disclosure of its contents to any person not authorized by MELTRIC Corporation or its agents to receive it, is strictly prohibited.



4X Ø.19 THRU



ENTRY HOLE PATTERN

THE SAME MALE INLET IS USED FOR IP55 OR IP66-IP67 WATERTIGHT RATINGS.

TOLERANCES UNLESS OTHERWISE SPECIFIED				DRAWING TITLE:	
MACHINED SURFACES $\sqrt[125]{\text{MAX}}$	ENGLISH			DRAWN	APPROVED
GROUND SURFACES $\sqrt[32]{\text{MAX}}$	<b>0.X ±0.05</b> <b>0.XX ±0.01</b> <b>0.XXX ±0.005</b>	DATE:	SCALE	MATERIAL:	
ANGLE TOLERANCE ±1°			NTS	BLUE POLY CASING	
REMOVE BURRS & SHARP EDGES TO .015 MAX.		SHEET:	PART NUMBER		REVISION
DIMENSIONS SHOWN IN OVALS ARE INSPECTION DIMENSIONS.		1 OF 1	01-N8xxx		