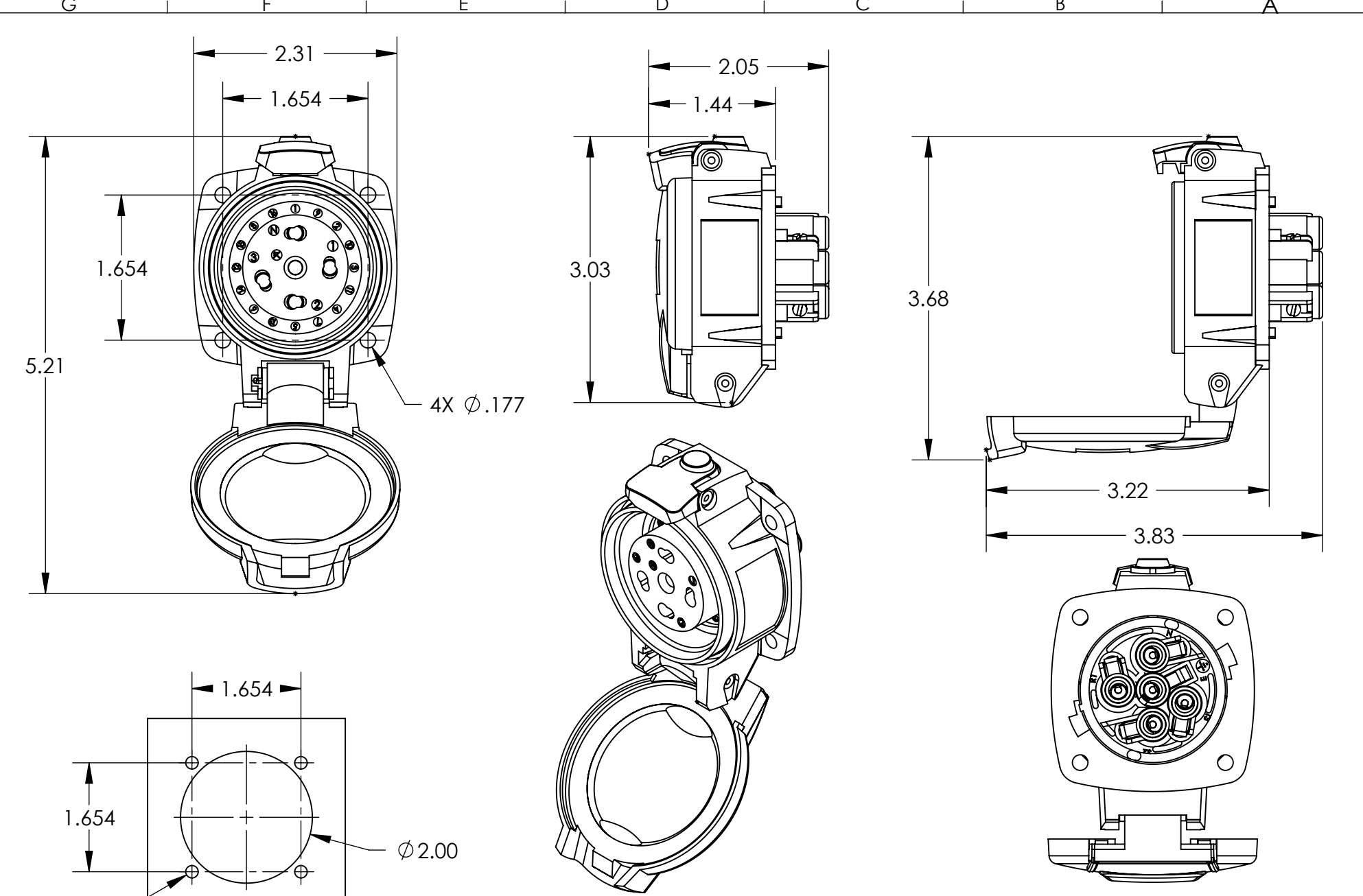
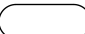



This drawing is the property of MELTRIC Corporation, Franklin (Milwaukee), Wisconsin, USA. Any unauthorized copying of this drawing by any means, ENG/RD/06 REV: 20 ISSUED DATE: 11/15/11 or disclosure of its contents to any person not authorized by MELTRIC Corporation or its agents to receive it, is strictly prohibited.



ENTRY HOLE PATTERN

TOLERANCES UNLESS OTHERWISE SPECIFIED	
MACHINED SURFACES $\sqrt[125]{\text{MAX}}$	<b>ENGLISH</b> <b>0.X ±0.05</b> <b>0.XX ±0.01</b> <b>0.XXX ±0.005</b>
GROUND SURFACES $\sqrt[32]{\text{MAX}}$	
ANGLE TOLERANCE $\pm 1^\circ$	
REMOVE BURRS & SHARP EDGES TO .015 MAX.	
 DIMENSIONS SHOWN IN OVALS ARE INSPECTION DIMENSIONS.	

		<b>MELTRIC CORPORATION</b>	
DRAWN	APPROVED	DRAWING TITLE:	
		<b>PN20 RECEPT., 20AMP, IP66 + IP67</b>	
DATE:	SCALE	MATERIAL:	
	<b>NTS</b>	<b>BLUE POLY CASING</b>	
SHEET:	PART NUMBER		REVISION
<b>1 OF 1</b>	<b>01-N4xxx</b>		