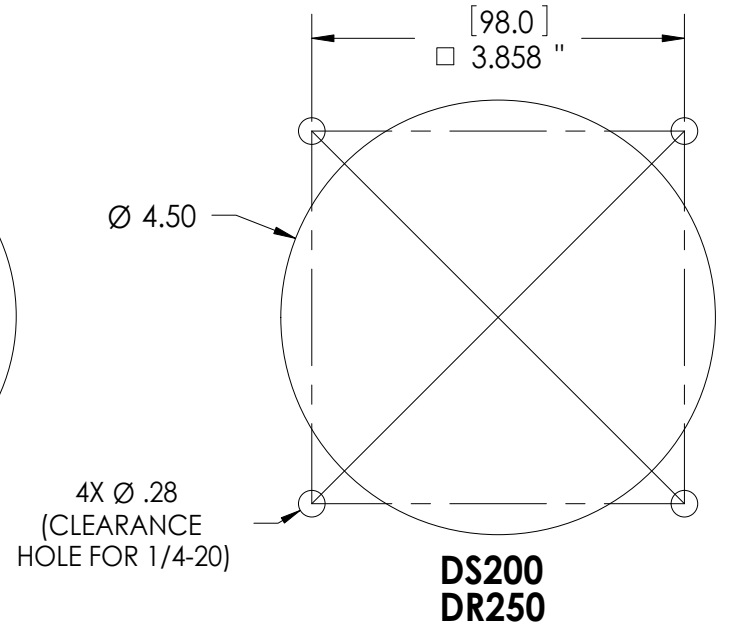
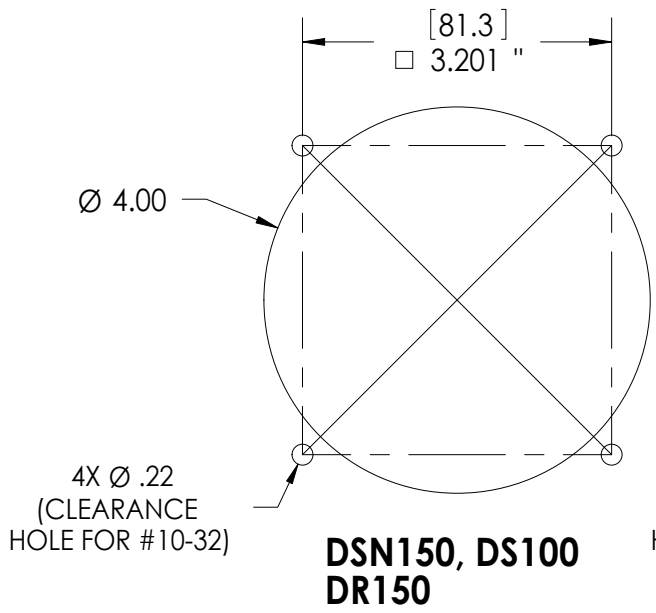
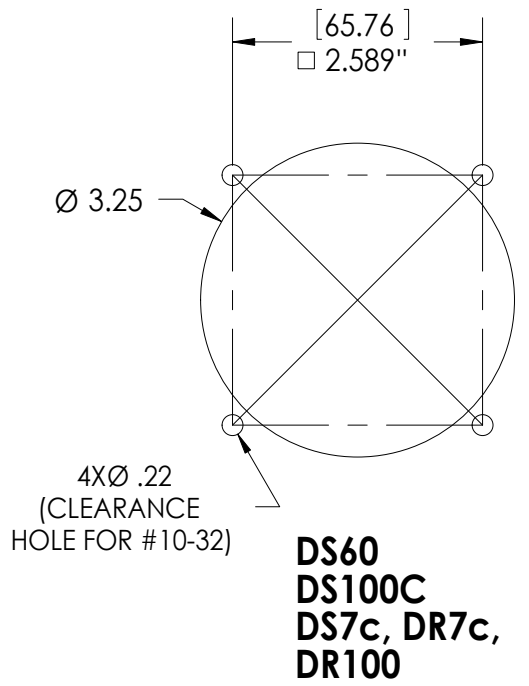
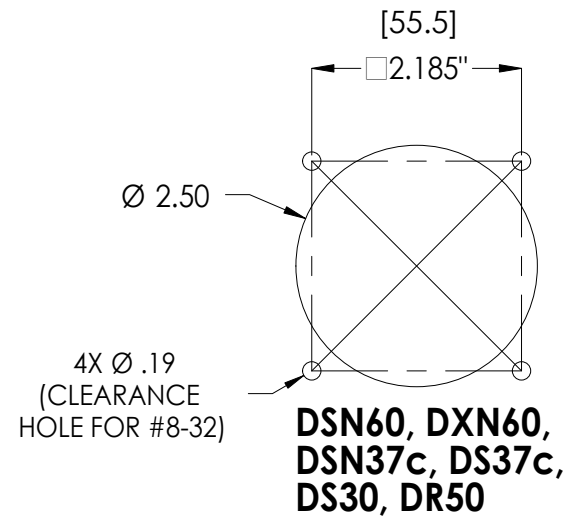
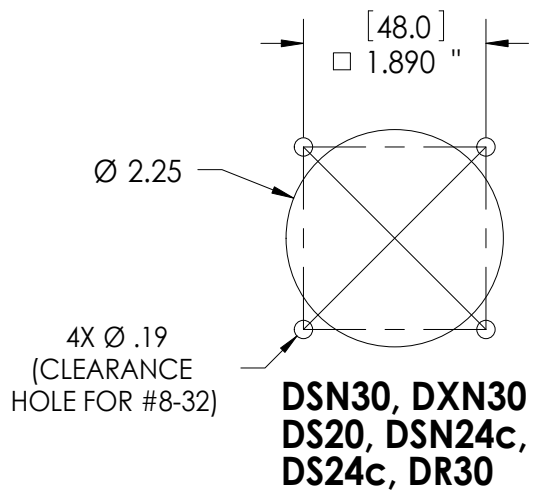
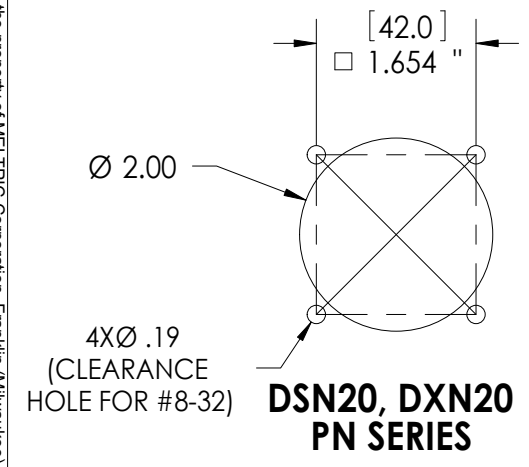


This drawing is the property of MELTRIC Corporation, Franklin (Milwaukee), Wisconsin, USA. Any unauthorized copying of this drawing by any means, or disclosure of its contents to any person not authorized by MELTRIC Corporation or its agents to receive it, is strictly prohibited.

# MELTRIC DEVICE ENTRY HOLE PATTERNS



TOLERANCES UNLESS OTHERWISE SPECIFIED		<b>MELTRIC</b> A COMPANY OF MARECHAL ELECTRIC	
MACHINED SURFACES $\sqrt[125]{\text{MAX}}$ GROUND SURFACES $\sqrt[32]{\text{MAX}}$ ANGLE TOLERANCE $\pm 1^\circ$ REMOVE BURRS & SHARP EDGES TO .015 MAX.	<b>ENGLISH</b> $0.X \pm 0.05$ $0.XX \pm 0.01$ $0.XXX \pm 0.005$	DRAWN: _____	APPROVED: _____
		DRAWING TITLE: <b>MELTRIC DEVICE ENTRYHOLE PATTERNS</b>	
		DATE: _____	SCALE: NTS - MATERIAL: _____
		SHEET: 1 OF 1	PART NUMBER: <b>DEVICE ENTRY HOLE PATTERNS</b> REVISION: _____