

# Rubber Boxes

## Power Distribution

### UL Type 3R Enclosures

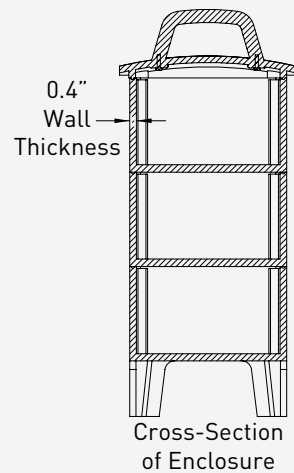
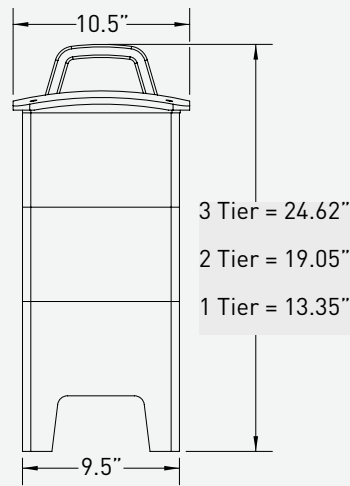


1 Tier

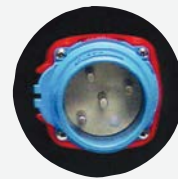
2 Tier

3 Tier

Contact MELTRIC® at 800-433-7642 or [engineering@meltric.com](mailto:engineering@meltric.com) to review input and output configuration options.



Power input up to 100 A, 480 VAC. Choose a mounted inlet or a cord and plug.



Mounted Inlet



Cord and Plug

## RUBBER POWER DISTRIBUTION BOXES

*Note:* Some configurations shown require sharing of circuit protection devices.

### Single Tier Potential Configuration



Side 1  
(2) DSN Receptacles



Side 2  
(2) 3 Pole MCB's



Side 3  
(2) DSN Receptacles



Side 4  
(1) Inlet

### Double Tier Potential Configuration



Side 1  
(1) DSN 20 A Receptacle  
(1) DSN 30 A Receptacle  
(1) DSN 60 A Receptacle



Side 2  
(2) 20 A 3 Pole MCB's  
(2) 30 A 3 Pole MCB's  
(2) 60 A 3 Pole MCB's  
(2) 20 A 1 Pole MCB's



Side 3  
(1) DSN 20 A Receptacle  
(1) DSN 30 A Receptacle  
(1) DSN 60 A Receptacle



Side 4  
(2) 20 A Type 5-20 Duplex GFCI  
(1) DSN100 100 A Inlet

### Triple Tier Potential Configuration



Side 1  
(1) 20 A Type 5-20 Duplex GFCI  
(2) DSN 20 A Receptacles  
(2) DSN 30 A Receptacles



Side 2  
(6) 20 A 1 Pole MCB's  
(4) 20 A 3 Pole MCB's  
(4) 30 A 3 Pole MCB's



Side 3  
(1) 20 A Type 5-20 Duplex GFCI  
(2) DSN 20 A Receptacles  
(2) DSN 30 A Receptacles



Side 4  
(2) 20 A Type 5-20 Duplex GFCI  
(2) 20 A Type 5-20 Duplex GFCI  
(1) DSN100 100 A Inlet

### Power Receptacles



Room for (2) DSN60 (or smaller) receptacles per side per tier.

### Circuit Protection



Room for up to (10) poles of standard MCB's (mini circuit breakers) per tier.  
*Note: All configurations use UL489 circuit breakers except 60 A at 480 VAC, which comes with UL1077 breakers.*

### Convenience Outlets



Room for (2) Type 5-20R duplex receptacles per side per tier or choose other convenience outlets.