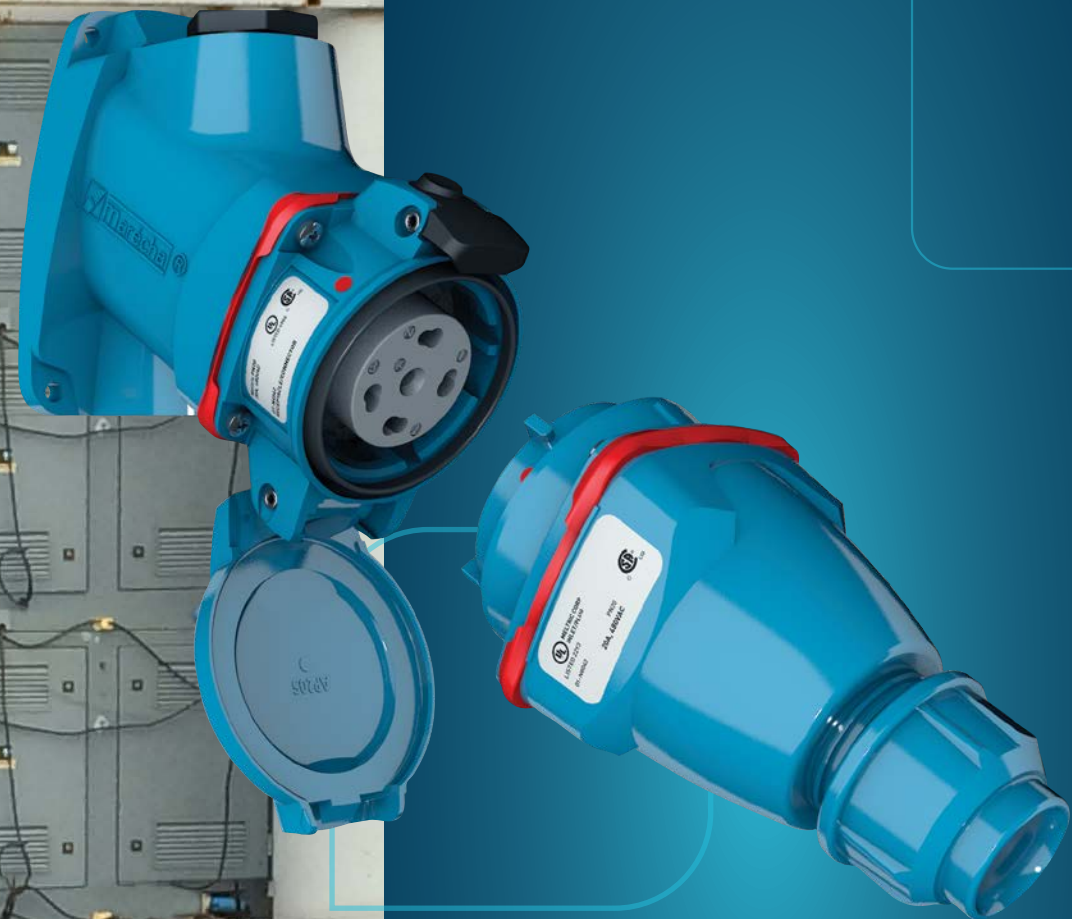


PN Standard Duty

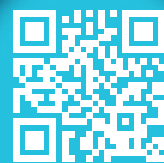


Main Advantages

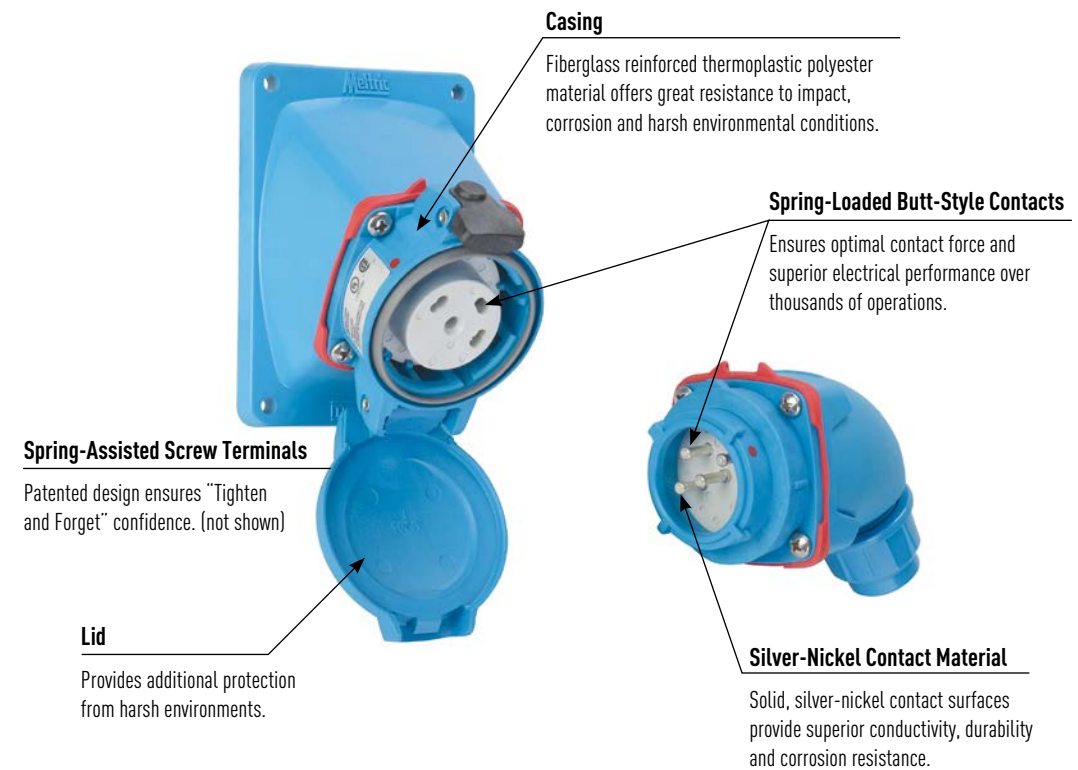
- Compact yet durable device
- Spring-loaded, silver-nickel contacts
- Spring-assisted elliptical deforming ring at terminals are unaffected by vibrations and thermal cycling

- Features and Ratings p. 106
- PN20 p. 107
- Spare Parts p. 109
- Dimensions p. 111

SCAN
ME >>



PRODUCT FEATURES



General Ratings

Amperage	20 A
Voltage	600 VAC Max
Frequency	50-400 Hz
Environmental	4X/IP66/IP67
Temperature	Min -40°F/Max 140°F (465° PNHT pg. 113)

Current Interruption Listings

Model	Current Interruption Capabilities
PN20	For current interrupting

Highlighted Feature

PN Contact



PN devices feature silver-nickel, spring-loaded, butt-style contacts for superior durability and electrical performance.

Listings

Category	UL	CSA	IEC	NOM
Plugs and Receptacles	UL 1682	C22.2 No. 182.1*	60309-1	NOM-003-SCFI-2014

*PN20 A devices are UL and CSA listed for current interrupting. PNHT devices are not UL/CSA listed.

Operating Instructions



To break the circuit and remove the plug, press the pawl, apply inward force and rotate the plug clockwise.



The plug can be safely withdrawn from the receptacle. The plug contacts remain shrouded until after the circuit is broken.



To reconnect, align the red dots on the plug and receptacle bodies, insert plug into the receptacle, apply insertion force and rotate the plug 20° counterclockwise.

PN20 Compact - 20 A

PN20

UL/CSA Ratings

- Max Amperage & Voltage**
20 A, 600 VAC
- Current Interruption Capability**
20 A Current Interrupting (up to 480 VAC)
15 A Current Interrupting (600 VAC)
- Environmental Ratings**
Type 4X/IP66/IP67
- Temperature Range**
Min -40°F/Max 140°F
See pg 254 for temperatures outside of this range.
- Wiring Capacity**
Based on THHN wire sizes.
Min 14 AWG Max 8 AWG
- Certifications**
UL 1682, CSA C22.2 NO. 182.1, NOM

Notes: 600V devices are rated for current interrupting up to 15 A only.

Receptacle female



Inlet male



! Don't forget to add installation accessories to your order

North American UL/CSA Configurations

VOLTAGE	POLARITY	PART #		PART #	
		POLY	METAL	POLY	METAL
120 V	1P+N+G	01-N4165	09-N4165	01-N8165	09-N8165
120 208 V	3P+N+G	01-N4167	09-N4167	01-N8167	09-N8167
125 V	1P+N+G	01-N4075	09-N4075	01-N8075	09-N8075
125 250 V	2P+N+G	01-N4076	09-N4076	01-N8076	09-N8076
208 V	2P+G	01-N4162	09-N4162	01-N8162	09-N8162
208 V	3P+G	01-N4163	09-N4163	01-N8163	09-N8163
250 V	2P+G	01-N4072	09-N4072	01-N8072	09-N8072
250 V	3P+G	01-N4073	09-N4073	01-N8073	09-N8073
277 V	1P+N+G	01-N4045	09-N4045	01-N8045	09-N8045
277 480 V	3P+N+G	01-N4047	09-N4047	01-N8047	09-N8047
347 600 V	3P+N+G	01-N4147	09-N4147	01-N8147	09-N8147
480 V	2P+G	01-N4042	09-N4042	01-N8042	09-N8042
480 V	3P+G	01-N4043	09-N4043	01-N8043	09-N8043
600 V	2P+G	01-N4142	09-N4142	01-N8142	09-N8142
600 V	3P+G	01-N4143	09-N4143	01-N8143	09-N8143

For international configurations and ratings (IEC,CE) visit meltric.com/international-catalog or contact Customer Service at 800-433-7642.

Main Options

- Reverse Interiors**
- Flush Mount**
(replaces female casing)
- Locking Pawl**

RECEPTACLE OPTIONS	SUFFIX #	INLET OPTIONS	SUFFIX #
Reverse Interiors	Recept # -001	Reverse Interiors	Inlet # -001
With Flush Mount (poly only)	Recept # -142*		
Locking Pawl	Recept # -824-300		
Self-Returning Lid (Manual Close)	Recept # -NC		

Notes: * no environmental rating

Order Example: 480 V PN20 + reverse interiors

Receptacle: PN20 Receptacle 3P+G=01-N4043-001
Example shows a receptacle casing with male contacts.



Handle Option Guide
pgs 237-238

INSTALLATION ACCESSORIES – SIZE 1

When properly installed, all accessories meet or exceed the environmental ratings of the devices they are mounted to; unless otherwise noted.

HANDLES

HANDLE WITH NPT	PART # POLY	PART # METAL
1/2"	511P0N05	791P0N05L
3/4"	511P0N07	791P0N07L
1"	511P0N10	791P0N10L

For available cord grips, see pg 159.

POLY HANDLE WITH CORD GRIP	CABLE RANGE	PART #
	.350-.520"	711P0BP6
	.520-.680"	711P0CP5
	.680-.980"	711P0DP4

METAL HANDLE WITH CORD GRIP	CABLE RANGE	PART #
	.438-.500"	791P0BS3L
	.500-.562"	791P0BS4L
	.562-.625"	791P0CS1L
	.625-.750"	791P0CS4L
	.750-.875"	791P0DS1L
	.875-1.000"	791P0DS3L

POLY 90° HANDLE WITH NPT	PART #
1/2"	751P9N05
3/4"	751P9N07
1"	751P9N10

POLY HANDLE	PART #
.350-.700"	511P0D18

POLY ANGLED HANDLE	PART #
.354-.708"	511P6D18

ANGLES

POLY ANGLE	PART #	Notes
MB Box 30°	511M3	
70°	511M7	Panel mounting only.

METAL ANGLE	PART #
0°	591M0

POLY ANGLE	PART #	Notes
FS/FD Box 30°	791M3FS	Base measures approximately 4.2" x 2.7". Due to the variation in sizes of FS boxes, please verify that your FS box matches our dimensions, if not call Customer Service for other solutions.

POLY ANGLE	PART #
45°	591M4

BOXES

POLY CONDUIT ENTRY WITH NPT	PART #
30° 1/2"	511B3N05
* 7.0 in ³ 30° 3/4"	511B3N07

POLY WALL BOX WITH NPT	PART #
0° 1/2"	511B0N05
* 3.4 in ³ 0° 3/4"	511B0N07

METAL WALL BOX WITH NPT	PART #
0° 1/2"	591B0N05
* 3.8 in ³ 0° 3/4"	591B0N07

POLY WALL BOX WITH ANGLE	PART #	Notes
70°	511C7000	70° poly boxes are not drilled.
* 82.0 in ³	Ground Bar	51-AA089

METAL BOX WITH NPT	PART #
0° 1/2"	7T1F0N05
0° 3/4"	7T1F0N07
0° 1"	7T1F0N10
0° 1 1/4"	7T1F0N12

POLY ANGLE WITH METAL BOX WITH NPT	PART #
30° 1/2"	711C3N05
30° 3/4"	711C3N07
30° 1"	711C3N10
* 30.0 in ³ 30° 1 1/4"	711C3N12

METAL ANGLE WITH METAL BOX WITH NPT	PART #
45° 1/2"	791C4N05
45° 3/4"	791C4N07
45° 1"	791C4N10
* 27.0 in ³ 45° 1 1/4"	791C4N12

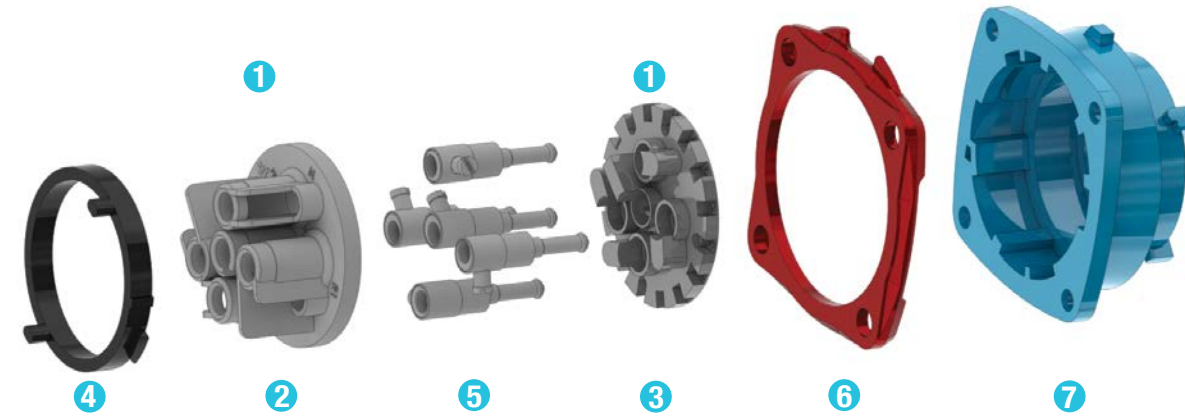
NPT on top or bottom (if rotated). For other configurations, contact Customer Service.

MISCELLANEOUS ACCESSORIES

PROTECTIVE INLET/PLUG CAP	PART #	Notes
	01-NA426	For Inlets/Plugs Only.

FLUSH MOUNT	PART #
	01-2A142

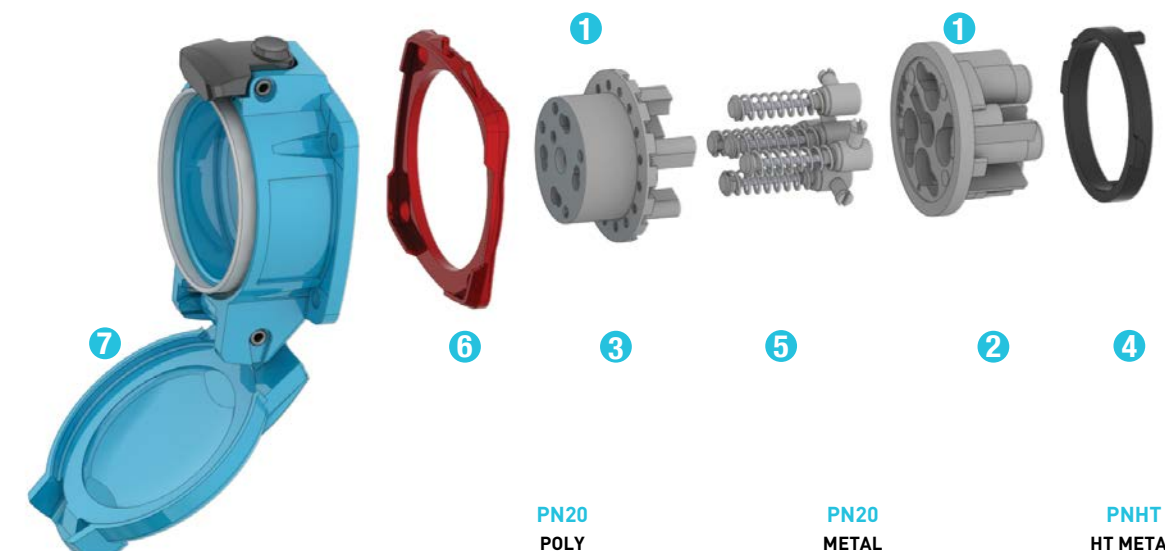
Male Configuration



	PN20 POLY	PN20 METAL	PNHT HT METAL																				
1 Plug Insulator	01-NA010	09-NA010	09-2A010-185																				
2 Insulator Bottom	01-NA010-B	09-NA010-B	09-2A010-185-B																				
3 Insulator Top	01-NA010-T	09-NA010-T	09-2A010-185-T																				
4 Locking Ring	01-NA583	09-NA583	09-2A583-185																				
5 Plug Contact	01-NA011	09-NA011	09-2A011-185																				
5 Plug Ground Contact	01-NA019	09-NA019	09-2A019-185																				
6 Color-Coded Voltage Gasket	<table border="1"> <tr><td>Yellow</td><td>01-NAJ26</td><td>09-NAJ26</td><td>-</td></tr> <tr><td>Blue</td><td>01-NAC26</td><td>09-NAC26</td><td>-</td></tr> <tr><td>Orange</td><td>01-NAB26</td><td>09-NAB26</td><td>-</td></tr> <tr><td>Red</td><td>01-NAR26</td><td>09-NAR26</td><td>-</td></tr> <tr><td>Black</td><td>01-NAN26</td><td>09-NAN26</td><td>-</td></tr> </table>	Yellow	01-NAJ26	09-NAJ26	-	Blue	01-NAC26	09-NAC26	-	Orange	01-NAB26	09-NAB26	-	Red	01-NAR26	09-NAR26	-	Black	01-NAN26	09-NAN26	-		
Yellow	01-NAJ26	09-NAJ26	-																				
Blue	01-NAC26	09-NAC26	-																				
Orange	01-NAB26	09-NAB26	-																				
Red	01-NAR26	09-NAR26	-																				
Black	01-NAN26	09-NAN26	-																				
7 Plug Casing	01-NA014	09-NA014	09-2A014-185																				

Please provide full part number for accurate part alignment.
 Part numbers in catalog are for current revisions, others may be available upon request.
 For replacement parts contact Customer Service at 800-433-7642.

Female Configuration



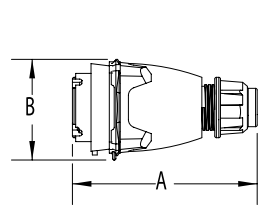
	PN20 POLY	PN20 METAL	PNHT HT METAL																				
1 Receptacle Insulator	01-NA020	09-NA020	09-2A020-185																				
2 Insulator Bottom	01-NA020-B	09-NA020-B	09-2A020-185-B																				
3 Insulator Top	01-NA020-T	09-NA020-T	09-2A020-185-T																				
4 Locking Ring	01-NA583	09-NA583	09-2A583-185																				
5 Receptacle Contact	01-NA021	09-NA021	09-2A021-185																				
5 Receptacle Ground Contact	01-NA029	09-NA029	09-2A029-185																				
6 Color-Coded Voltage Gasket	<table border="1"> <tr><td>Yellow</td><td>01-NAJ26</td><td>09-NAJ26</td><td>-</td></tr> <tr><td>Blue</td><td>01-NAC26</td><td>09-NAC26</td><td>-</td></tr> <tr><td>Orange</td><td>01-NAB26</td><td>09-NAB26</td><td>-</td></tr> <tr><td>Red</td><td>01-NAR26</td><td>09-NAR26</td><td>-</td></tr> <tr><td>Black</td><td>01-NAN26</td><td>09-NAN26</td><td>-</td></tr> </table>	Yellow	01-NAJ26	09-NAJ26	-	Blue	01-NAC26	09-NAC26	-	Orange	01-NAB26	09-NAB26	-	Red	01-NAR26	09-NAR26	-	Black	01-NAN26	09-NAN26	-		
Yellow	01-NAJ26	09-NAJ26	-																				
Blue	01-NAC26	09-NAC26	-																				
Orange	01-NAB26	09-NAB26	-																				
Red	01-NAR26	09-NAR26	-																				
Black	01-NAN26	09-NAN26	-																				
7 Receptacle Casing w/Lid	01-NA024	09-NA024	09-2A024-185																				

Please provide full part number for accurate part alignment.
 Part numbers in catalog are for current revisions, others may be available upon request.
 For replacement parts contact Customer Service at 800-433-7642.



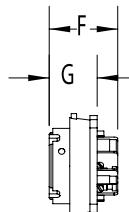
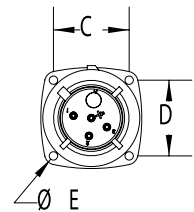
Dimensions are for reference only and may change depending on accessories used. For precise dimensions contact MELTRIC Engineering.

Plug

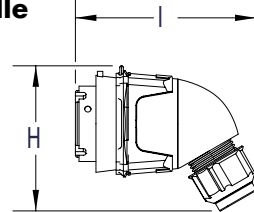


PRODUCT	A	B	C	D	E	F	G	H	I
PN	4.33	2.4	1.65	1.65	0.18	1.5	1.14	3.9	3.17

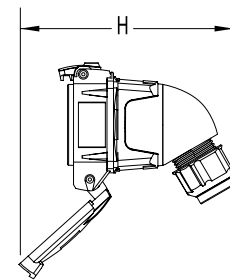
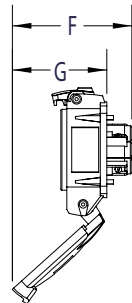
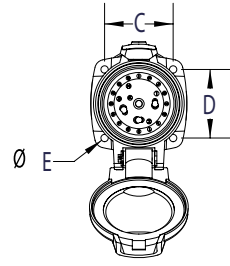
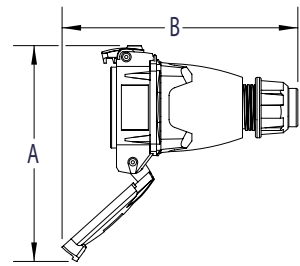
Inlet



Plug Angled Handle

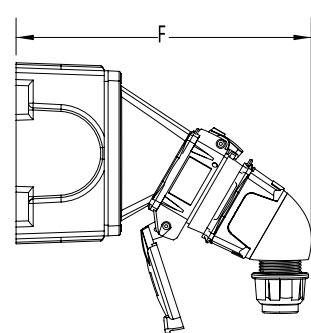
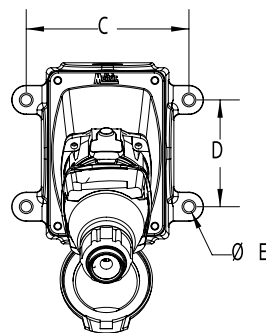
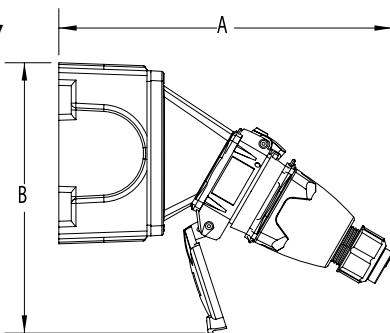


Connector



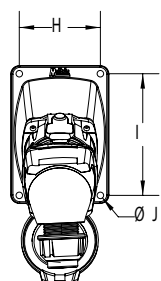
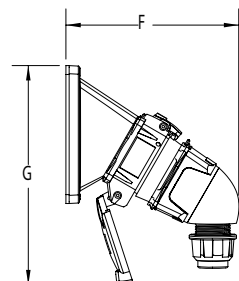
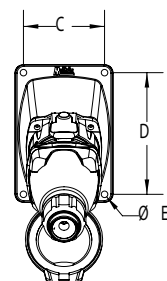
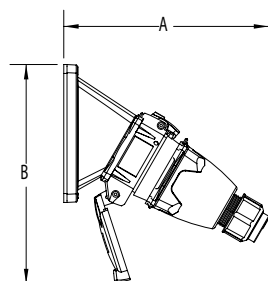
PRODUCT	A	B	C	D	E	F	G	H
PN	5.51	5.69	1.65	1.65	0.18	1.93	1.38	4.17

Box/30° Angle/Receptacle/Plug



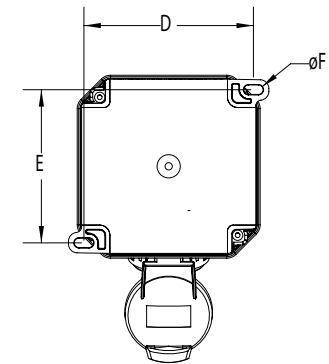
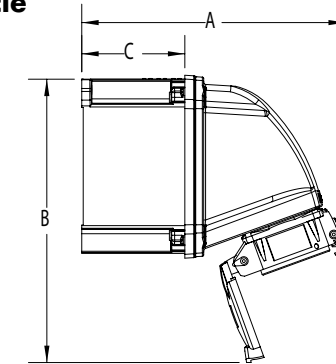
PRODUCT	A	B	C	D	E	F
PN	8.59	6.96	4.19	2.75	0.27	7.6

30° Angle/Receptacle/Plug



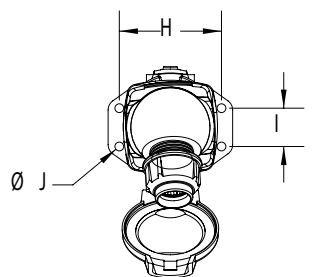
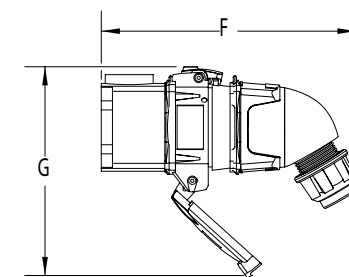
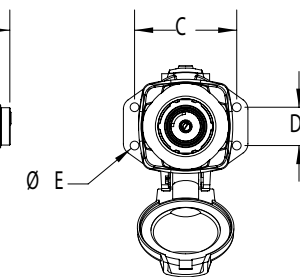
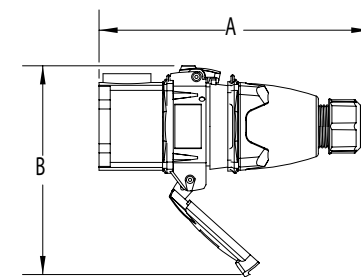
PRODUCT	A	B	C	D	øE	F	G	H	I	J
PN	6.32	6.76	2.5	3.75	0.2	5.33	6.76	2.5	3.75	0.2

70° Wall Box/Receptacle



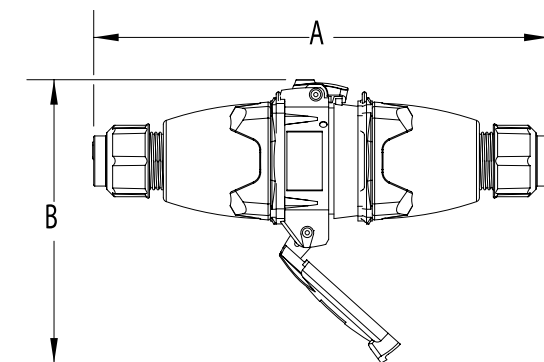
PRODUCT	A	B	C	D	E	F
PN	7.13	7.63	2.80	4.60	4.15	0.26

Straight Wall Box/Receptacle/Plug



PRODUCT	A	B	C	D	øE	F	G	H	I	J
PN	6.68	5.15	2.52	0.95	0.22	6.28	5.15	2.52	0.95	0.22

Connector/Plug



PRODUCT	A	B
PN	8.37	5.21