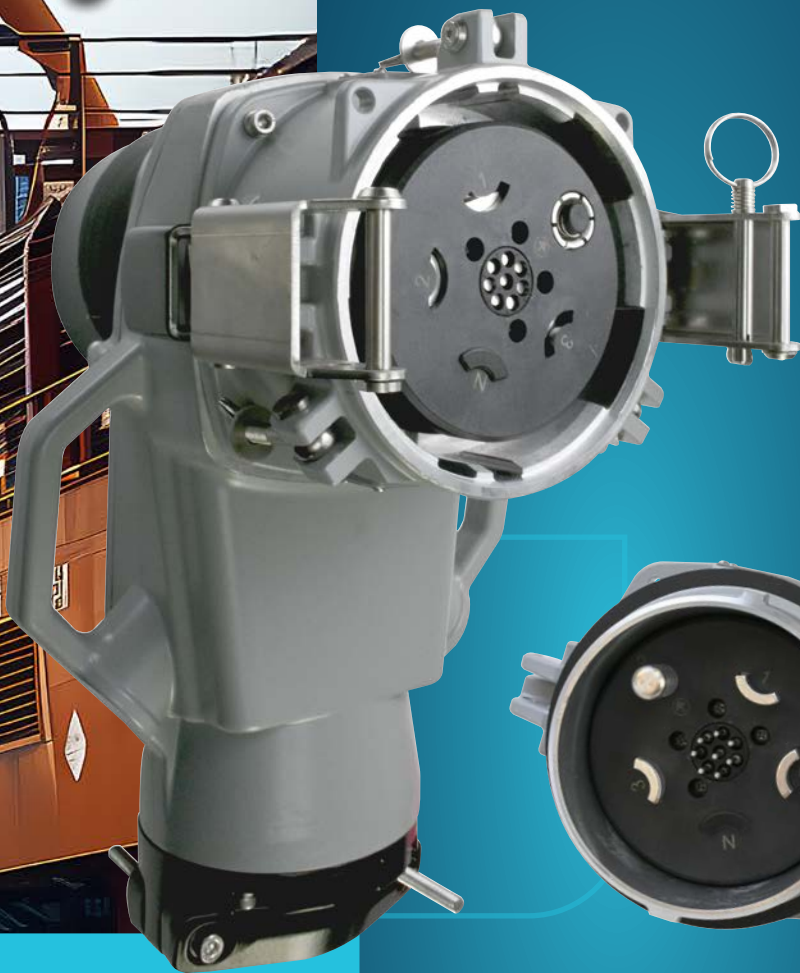


P66

High Amperage



Main Advantages

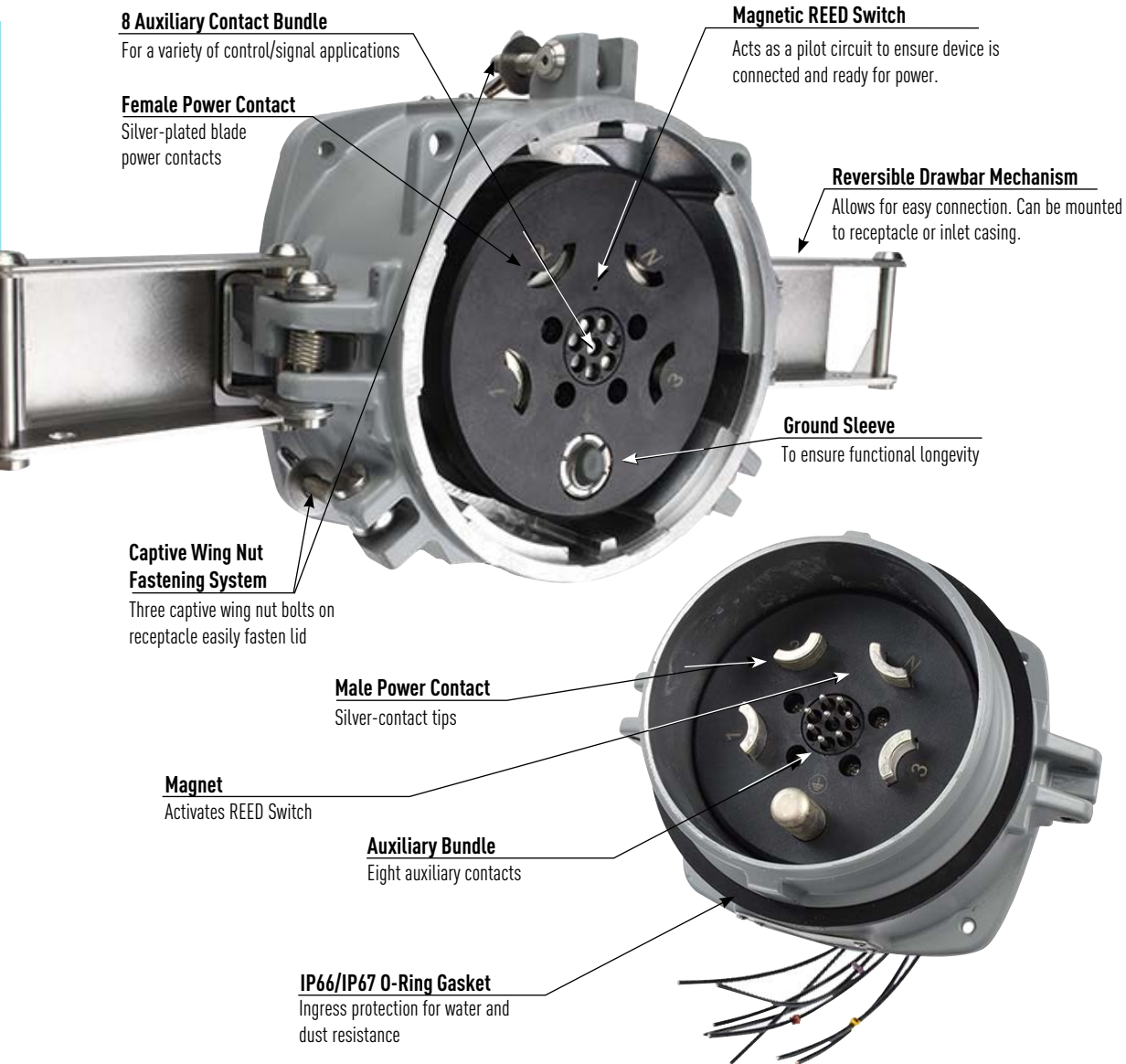
- Up to 660 A, 1,100 VAC in a more compact footprint
- Rated IP66/IP67
- 8 auxiliary contacts
- Corrosion-resistant, Copper-free, aluminum casing
- Split voltage/neutral contact available

- **Features and Ratings** p. 136
- **P66** p. 137
- **Dimensions** p. 139

SCAN
ME >>



PRODUCT FEATURES



Operating Instructions



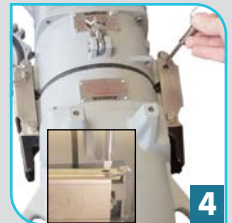
While device is de-energized, remove the lid by unfastening the captive wing nuts.



Align the inlet with the receptacle.



Connect the receptacle and inlet by closing the drawbars.



Insert the locking pin through the drawbar hole to secure. Power may now be turned on.

5 To disconnect, turn off power, remove locking pin from drawbars, separate receptacle from inlet, secure the lid, and fasten with wing nuts.

General Ratings

Amperage	660 A*
Voltage	1,100 VAC, 1,500 VDC Max
Frequency	≤ 500 Hz
Environmental	IP66/IP67
Temperature	Min -40°F/Max 140°F Reference temperature range on page 137

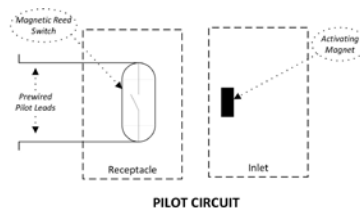
* Based on IEC standards

Highlighted Feature



Magnetic Reed Switch

Built-in pre-wired reed switch enables real-time monitoring of device status for improved operational visibility and integration into control systems.

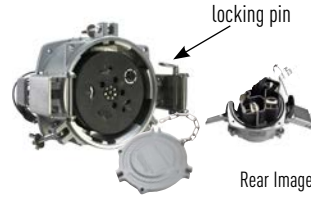


P66 High Amperage - 660 A

Ratings

- **Max Amperage & Voltage**
660 A, 1,100 VAC/1,500 VDC
- **Current Interruption Capability**
Not for Current Interrupting
- **Environmental Ratings**
IP66/IP67
- **Temperature Range**
Min -40°F/Max 140°F
- **Wiring Capacity**
Cage Terminal:
Min 300 MCM Max 777 MCM
Lug Compatibility:
Min 3/0 Max 535 MCM
Aux Contacts: Prewired 14 AWG
See pg 237 for details
Prewired Pilot .5 A, 400 VAC

Receptacle (female)



Inlet (male)



FOR DIRECT WIRING

DRAWBARS CAN BE INSTALLED ON EITHER THE RECEPTACLE OR INLET PER SET ORDERED.

VOLTAGE	POLARITY	PART #	
		WITH DRAWBARS	WITHOUT DRAWBARS
480 V	3P+G	4164043726	4168043
480 V	3P+N+G	4164047726	4168047
600 V	3P+G	4164143726	4168143
600 V	3P+N+G	4164147726	4168147
1100 V	3P+G	4164223726	4168223
1100 V	3P+N+G	4164227726	4168227

Receptacle (female)



Inlet (male)



VOLTAGE	POLARITY	PART #	
		WITHOUT DRAWBARS	WITH DRAWBARS
480 V	3P+G	4164043	4168043726
480 V	3P+N+G	4164047	4168047726
600 V	3P+G	4164143	4168143726
600 V	3P+N+G	4164147	4168147726
1100 V	3P+G	4164223	4168223726
1100 V	3P+N+G	4164227	4168227726

HANDLE

STRAIGHT HANDLE WITH INTEGRATED CABLE GLAND



CABLE RANGE	PART #
2.362"-2.756"	5T8P0D70
2.756"-3.150"	5T8P0D80
3.150"-3.543"	5T8P0D90

ACCESSORIES

PADLOCK



PART

416ALOCK Set of 2

**Receptacle
(female)**

**Inlet
(male)**



FOR COMPRESSION LUGS

DRAWBARS CAN BE INSTALLED ON EITHER THE RECEPTACLE OR INLET PER SET ORDERED.

VOLTAGE	POLARITY	PART #	
		WITH DRAWBARS	WITHOUT DRAWBARS
480 V	3P+G	4164043L26	4168043L
480 V	3P+N+G	4164047L26	4168047L
600 V	3P+G	4164143L26	4168143L
600 V	3P+N+G	4164147L26	4168147L
1100 V	3P+G	4164223L26	4168223L
1100 V	3P+N+G	4164227L26	4168227L

**Receptacle
(female)**

**Inlet
(male)**



VOLTAGE	POLARITY	PART #	
		WITHOUT DRAWBARS	WITH DRAWBARS
480 V	3P+G	4164043L	4168043L26
480 V	3P+N+G	4164047L	4168047L26
600 V	3P+G	4164143L	4168143L26
600 V	3P+N+G	4164147L	4168147L26
1100 V	3P+G	4164223L	4168223L26
1100 V	3P+N+G	4164227L	4168227L26

LUGS

INTERNAL DIAMETER (in)	INTERNAL DIAMETER (mm)	FLEX WIRING AWG	COARSE WIRING AWG	PART #
.57	14.5	4/0	250	416A95C
.64	16.2	262	300	416A12C
.71	18	300, 313	350	416A15C
.81	20.6	350*, 373	400, 500	416A18C
.91	23.1	444*, 500, 535	600	416A24C



HANDLE

90° HANDLE WITH INTEGRATED CABLE GLAND	CABLE RANGE	PART #
	2.362"-2.756"	5T8P9D70
	2.756"-3.150"	5T8P9D80
	3.150"-3.543"	5T8P9D90

+ Only for use with Greenlee EK61DL11 dieless tool

BOXES

SMALL STAINLESS STEEL BOX WITH INTEGRATED CABLE GLAND	CABLE RANGE	PART #	LARGE STAINLESS STEEL BOX WITH INTEGRATED CABLE GLAND	CABLE RANGE	PART #
	1.575-1.968"	416A023050		1.575-1.968"	416A023550
	1.968-2.362"	416A023060		1.968-2.362"	416A023560
	2.362-2.756"	416A023070		2.362-2.756"	416A023570
	2.756-3.150"	416A023080		2.756-3.150"	416A023580
	3.150-3.543"	416A023090		3.150-3.543"	416A023590

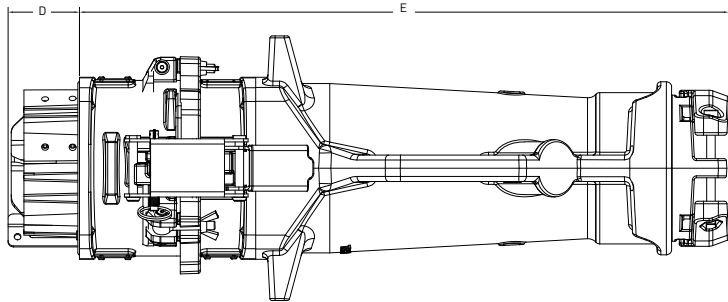
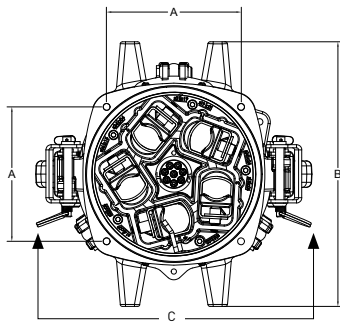
These enclosures offer additional interior volume for extra wiring space. Both size enclosures have two removable covers and a one piece back pan installed for customer convenience. NPT is available on request.

P66 DIMENSIONS – Provided in Inches



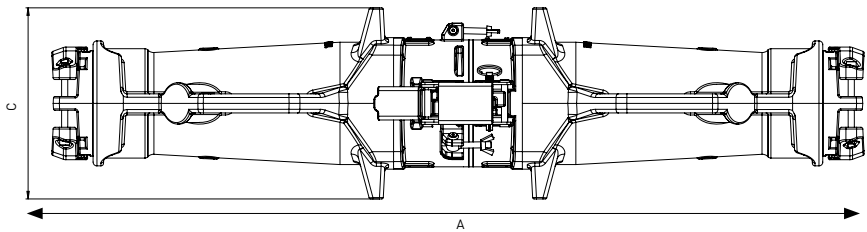
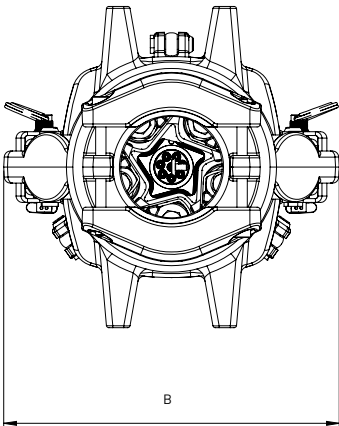
Dimensions are for reference only and may change depending on accessories used. For precise dimensions contact [MELTRIC Engineering](#).

Receptacle and Inlet with Straight Handle



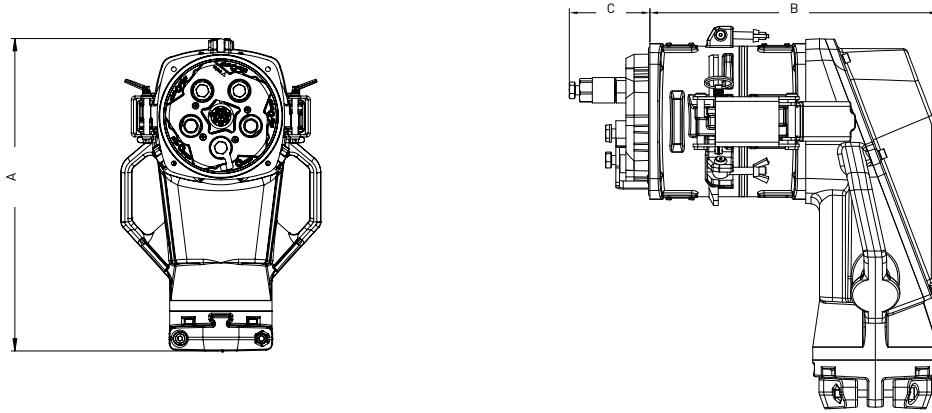
PRODUCT	A	B	C	D	E
ITEM	5.00	9.84	10.28	2.65	24.16

Plug/Connector (Cord-to-Cord)



PRODUCT	A	B	C
ITEM	41.83	10.28	9.84

Receptacle on 90° Handle



PRODUCT	A	B	C
ITEM	16.60	15.60	3.50