

DSP400

Single Pole High Amperage

Main Advantages

- Poly Casing
- Up to 480 VAC
- Rated IP66/IP67/IP69/IP69K
- Two additional pilot contacts

- Features and Ratings p. 144
- DSP400 p. 145
- Dimensions p. 147

SCAN
ME >>



PRODUCT FEATURES

Standard Lockout/Tagout Provisions

Allows plug to be easily locked out and tagged. Included padlock pawl allows lockout/tagout of the receptacle.

Casing

Fiberglass reinforced thermoplastic polyester material offers great resistance to impact, corrosion and harsh environmental conditions.

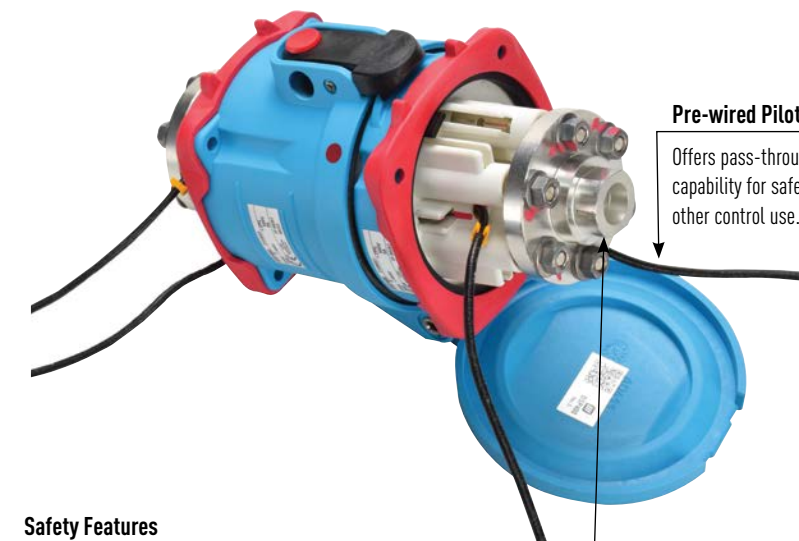


Lid

Provides additional protection from harsh environments.

Silver-Nickel, Butt-Style Contacts

Solid, silver-nickel contact surfaces provide superior conductivity, durability and corrosion resistance.



Safety Features

Designed with mechanical (rotational position) and visual (gasket color) differentiation of phases to prevent intermating.

Pre-wired Pilot Contacts

Offers pass-through, 10 A wiring capability for safety circuit or other control use.

Shorting Plate

Ties all phase contacts together to convert multiple contact device into single pole.

Operating Instructions



When the plug and receptacle are latched together, the circuit is connected.



Pressing the pawl breaks the connection and opens the circuit. The plug is ejected to its rest position; The contacts are now de-energized.



Rotating the de-energized plug 30° counterclockwise closes the safety shutter and frees the plug to be withdrawn from the receptacle



The plug and the receptacle are separated. The safety shutter prevents access to live parts.

5 To reconnect, align red dots, insert plug into receptacle, rotate 30° clockwise, and apply insertion force.

DSP400 Single Pole - 400 A

DSP400

Ratings

- **Max Amperage & Voltage**
400 A, 480 VAC, 750 VDC
- **Current Interruption Capability**
Not for Current Interrupting
- **Environmental Ratings**
IP66/IP67/IP69/IP69K
- **Temperature Range**
Min -40°F/Max 140°F
- **Wiring Capacity**
Min 1/0 Max 600 MCM
Aux Contacts - Prewired 4 mm²
- **Certifications**
CE

Receptacle (female) without lug



Inlet (male) without lug



VOLTAGE	POLARITY	PART # POLY			PART # POLY	
		STANDARD LOCKOUT HOLE	STANDARD LOCKOUT HOLE NORMALLY CLOSED LID	NO LOCKOUT HOLE	STANDARD LOCKOUT HOLE	NO LOCKOUT HOLE
≤ 250	L1	3164001843P80	3164001858P80	3164001P80	3168001843P80	3168001P80
≤ 250	L2	3164002843P80	3164002858P80	3164002P80	3168002843P80	3168002P80
≤ 250	L3	3164003843P80	3164003858P80	3164003P80	3168003843P80	3168003P80
≤ 250	NEUTRAL	316400N843P80	316400N858P80	316400NP80	316800N843P80	316800NP80
	GROUND	316400T843P80	316400T858P80	316400TP80	316800T843P80	316800TP80
	POSITIVE	316400P843P80	316400P858P80	316400PP80	316800P843P80	316800PP80
	NEGATIVE	316400M843P80	316400M858P80	316400MP80	316800M843P80	316800MP80
> 250	L1	3164001843P88	3164001858P88	3164001P88	3168001843P88	3168001P88
> 250	L2	3164002843P88	3164002858P88	3164002P88	3168002843P88	3168002P88
> 250	L3	3164003843P88	3164003858P88	3164003P88	3168003843P88	3168003P88
> 250	NEUTRAL	316400N843P88	316400N858P88	316400NP88	316800N843P88	316800NP88

Straight Barrel Lugs



CRIMPING LUGS

INTERNAL DIAMETER	STRAIGHT W/TERMINAL		STRAIGHT THREADED	FLEXIBLE WIRING*	COARSE WIRING	
	in	mm	PART #	AWG	AWG	
.43	11		454A50C	454A50D	1/0 ^A	2/0
.51	13.1		454A70C	454A70D	2/0, 3/0	3/0, 4/0
.57	14.5		454A95C	454A95D	4/0	250
.64	16.2		454A12C	454A12D*	262	300
.71	18		454A15C	454A15D*	300, 313	350
.81	20.6		454A18C	454A18D*	350*, 373	400, 500
.91	23.1		454A24C	454A24D*	444*, 500, 535	600

- Notes:**
- * Class H & I
 - ^A The ground conductor shall be limited to a maximum size of 1/0 AWG.
 - UL listing performed with Greenlee EK6IDL11 dieless tool and Dewalt DCE300M2 with Greenlee KC12 dies. * Only for use with Greenlee EK6IDL11 dieless tool.
 - * Spacer 514M0-25 will be required for use with a handle.



INSTALLATION ACCESSORIES – SIZE 4

When properly installed, all accessories meet or exceed the environmental ratings of the devices they are mounted to; unless otherwise noted.

HANDLES

HANDLE WITH NPT	PART # POLY
1/2"	514P0N05
3/4"	514P0N07
1"	514P0N10
1 1/4"	514P0N12
1 1/2"	514P0N15

For available cord grips, see pg 159.

POLY HANDLE WITH CORD GRIP	CABLE RANGE	PART #
	.680-.980"	714P0DP4
	.980-1.260"	714P0EP4
	1.260-1.560"	714P0FP1

Spacer 51M0-25 to be used with handle accessory when wiring device with 300 MCM or larger wire.

BOXES

POLY WALL BOX WITH ANGLE	ANGLE	PART #	Notes
	70°	514C7000	70° poly boxes are not drilled. * Interior volume with receptacle installed.

POLY ANGLE WITH METAL BOX WITH NPT	ANGLE	SIZE	PART #	Notes
	70°	1/2"	714C7N05	* Interior volume with receptacle installed.
	70°	3/4"	714C7N07	
	70°	1"	714C7N10	
	70°	1 1/4"	714C7N12	
	70°	1 1/2"	714C7N15	

ANGLES

POLY ANGLE	ANGLE	PART #	Notes
	30°	514M3	Compatible with all straight threaded lugs.
	70°	514M7	Compatible with all straight terminal lugs.

MISCELLANEOUS ACCESSORIES

FINGER DRAWPLATES	PART #	Notes
	31-6A346	Set of Two (2) Recommended for all assembly applications, for easier connector closure.

SPACER	PART #	Notes
	514M0-25	1 inch thick spacer to be used with handles using 300 MCM wire and larger.

PROTECTIVE INLET/PLUG CAP	PART #	Notes
	31-6A426	For Inlets/Plugs Only.

SPRING-LOADED PADLOCKABLE INLET/PLUG CAP	PART #	Notes
	31-6A226	For Poly Inlets/Plugs Only. In order to achieve max water ingress protection of Type 3R/IP55, spring loaded caps should be ordered with inlets equipped with -A155 suffix.

EASY RETROFIT ADAPTER PLATES	Notes
	see pg 240 Mount to existing boxes.

RECEPTACLE LOCKING PIN	PART #
	LP-843

DSP400 DIMENSIONS – Provided in Inches

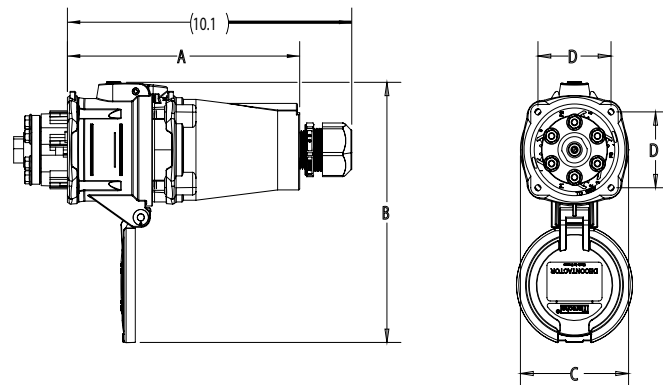
DSP400

Dimensions are for reference only and may change depending on accessories used. For precise dimensions contact MELTRIC Engineering.

SCAN
ME >>

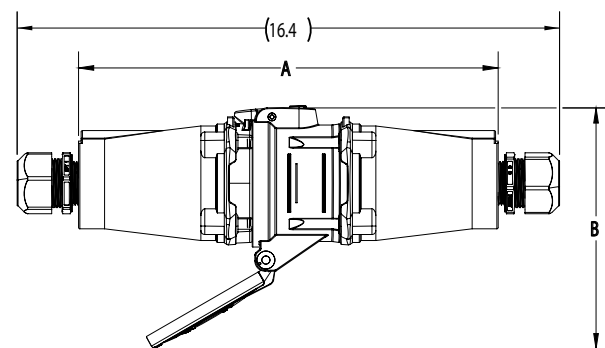


Plug on Receptacle



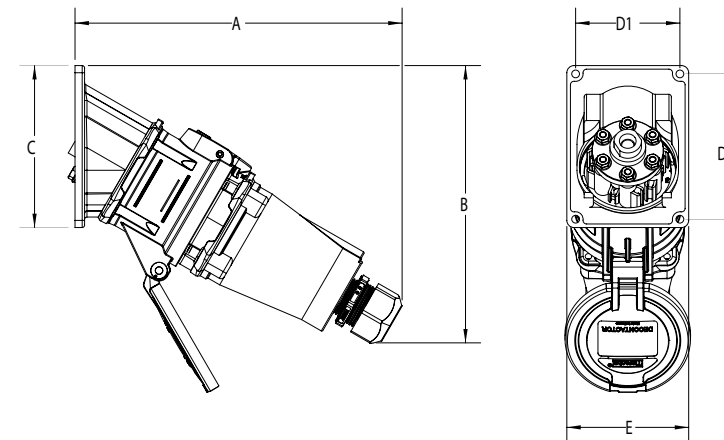
PRODUCT	A	B	C	E
DSP400	8.29	8.94	3.86	2.59

Plug/Connector



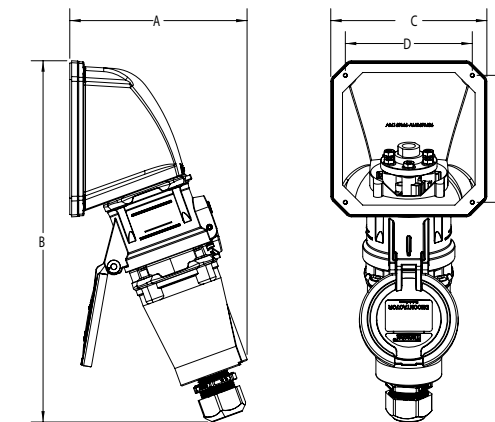
PRODUCT	A	B
DSP400	12.70	7.28

30° Angle/Receptacle/Plug



PRODUCT	A	B	C	D1	D2	E
DSP400	10.78	9.17	5.35	3.44	4.80	4.02

70° Angle/Receptacle/Plug



PRODUCT	A	B	C	D
DSP400	7.42	15.12	6.54	5.31