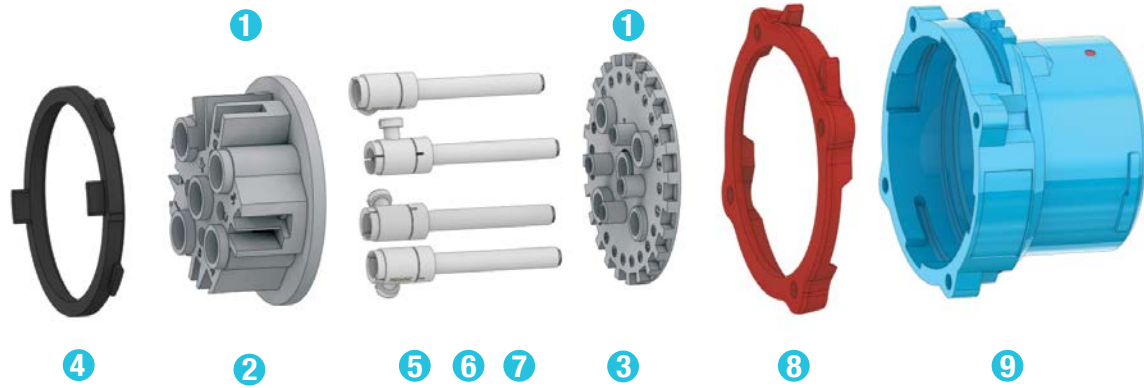


## Male Configuration



	DSN20 POLY	DSN30 POLY	DSN60 POLY	DSN100 POLY	DSN100 METAL	DSN150 POLY	DSN150 METAL
1 Plug Insulator	63-1A010*	63-3A010*	63-6A010*	63-8A010*	69-8A010*	63-9A010*	69-9A010*
2 Insulator Bottom	63-1A010-B	63-3A010-B	63-6A010-B	63-8A010-B	69-8A010-B	63-9A010-B	69-9A010-B
3 Insulator Top	63-1A010-T*	63-3A010-T*	63-6A010-T*	63-8A010-T*	69-8A010-T*	63-9A010-T*	69-9A010-T*
4 Locking Ring	63-1A583	63-3A583	63-6A583	63-8A583	69-8A583	63-9A583	69-9A583
5 Plug Phase Contact	63-1A011	63-3A011	63-6A011	63-8A011	69-8A011	63-9A011	69-9A011
6 Plug Pilot Contact	-	63-3A011-972	63-6A011-972	63-8A011-972	69-8A011-972	63-9A011-972	69-9A011-972
7 Plug Ground Contact	63-1A019	63-3A019	63-6A019	63-8A019	69-8A019	63-9A019	69-9A019
8 Color-Coded Voltage Gasket		63-1AJ26	63-3AJ26	63-6AJ26	63-8AJ26	69-8AJ26	63-9AJ26
		63-1AC26	63-3AC26	63-6AC26	63-8AC26	69-8AC26	63-9AC26
		63-1AB26	63-3AB26	63-6AB26	63-8AB26	69-8AB26	63-9AB26
		63-1AR26	63-3AR26	63-6AR26	63-8AR26	69-8AR26	63-9AR26
		63-1AN26	63-3AN26	63-6AN26	63-8AN26	69-8AN26	63-9AN26
9 Plug Casing	63-1A014*	63-3A014*	63-6A014*	63-8A014*	69-8A014*	63-9A014*	69-9A014*

\* Please provide full part number for accurate part alignment.  
 Part numbers in catalog are for current revisions, others may be available upon request.  
 For replacement parts contact Customer Service at 800-433-7642.

## Female Configuration



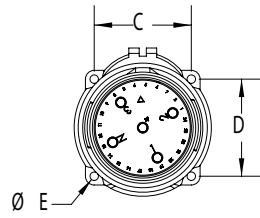
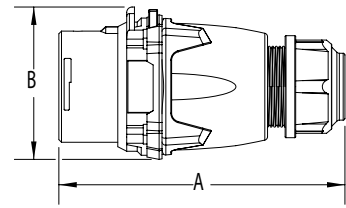
	DSN20 POLY	DSN30 POLY	DSN60 POLY	DSN100 POLY	DSN100 METAL	DSN150 POLY	DSN150 METAL
1 Receptacle Insulator	63-1A020*	63-3A020*	63-6A020*	63-8A020*	69-8A020*	63-9A020*	69-9A020*
2 Insulator Bottom	63-1A020-B	63-3A020-B	63-6A020-B	63-8A020-B	69-8A020-B	63-9A020-B	69-9A020-B
3 Insulator Top	63-1A020-T*	63-3A020-T*	63-6A020-T*	63-8A020-T*	69-8A020-T*	63-9A020-T*	69-9A020-T*
4 Locking Ring	63-1A583	63-3A583	63-6A583	63-8A583	69-8A583	63-9A583	69-9A583
5 Receptacle Phase Contact	63-1A021	63-3A021	63-6A021	63-8A021	69-8A021	63-9A021	69-9A021
6 Receptacle Pilot Contact	-	63-3A021-972	63-6A021-972	63-8A021-972	69-8A021-972	63-9A021-972	69-9A021-972
7 Receptacle Ground Contact	63-1A029	63-3A029	63-6A029	63-8A029	69-8A029	63-9A029	69-9A029
8 Color-Coded Voltage Gasket		63-1AJ26	63-3AJ26	63-6AJ26	63-8AJ26	69-8AJ26	63-9AJ26
		63-1AC26	63-3AC26	63-6AC26	63-8AC26	69-8AC26	63-9AC26
		63-1AB26	63-3AB26	63-6AB26	63-8AB26	69-8AB26	63-9AB26
		63-1AR26	63-3AR26	63-6AR26	63-8AR26	69-8AR26	63-9AR26
		63-1AN26	63-3AN26	63-6AN26	63-8AN26	69-8AN26	63-9AN26
9 Receptacle Casing	63-1A024*	63-3A024*	63-6A024*	63-8A024*	69-8A024*	63-9A024*	69-9A024*
Lid Replacement Kit	63-1A125	63-3A125	63-6A125	63-8A125	69-8A925	63-9A125	69-9A925
Pawl Replacement Kit Polyester	63-1A824	63-3A824	63-6A824	63-8A824	-	63-9A824	-
Pawl Replacement Kit Metal	63-1A924	63-3A924	63-6A924	63-8A924	69-8A824	63-9A924	69-9A824
Drawbar Replacement Kit	-	-	-	-	-	63-9A726	69-9A726

\* Please provide full part number for accurate part alignment.  
 Part numbers in catalog are for current revisions, others may be available upon request.  
 For replacement parts contact Customer Service at 800-433-7642.

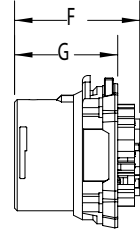


Dimensions are for reference only and may change depending on accessories used. For precise dimensions contact MELTRIC Engineering.

### Plug

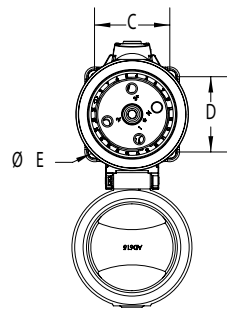
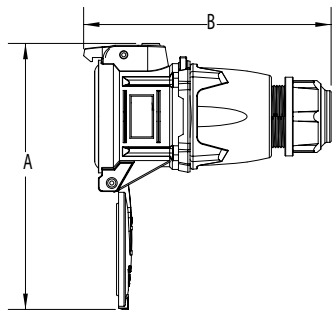


### Inlet

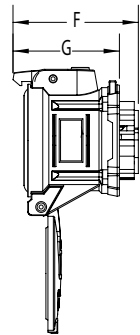


PRODUCT	A	B	C	D	ØE	F	G
DSN20/DSN12c	5.28	2.40	1.65	1.65	0.17	2.46	1.87
DSN30/DSN24c	5.75	2.91	1.89	1.89	0.18	2.56	1.97
DSN60/DSN37c	6.30	3.46	2.17	2.17	0.19	2.8	2.21
DSN100	6.70	3.77	2.59	2.59	0.24	3.42	2.38
DSN150	8.33	4.59	3.20	3.20	0.24	4.14	3.04

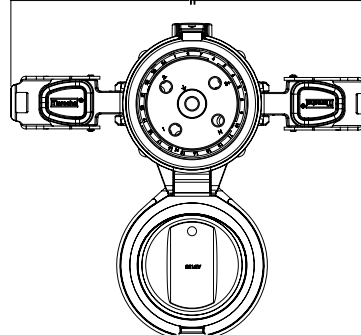
### Connector



### Receptacle

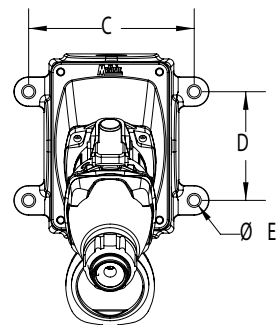
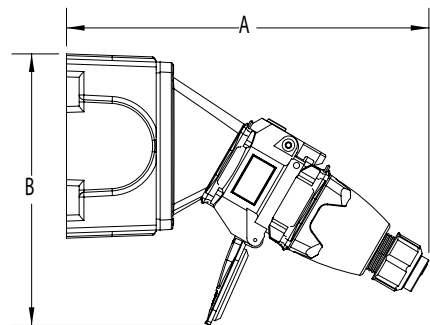


### Extended Drawbars



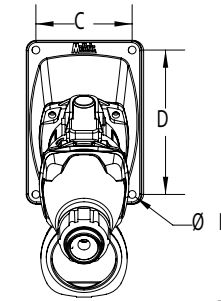
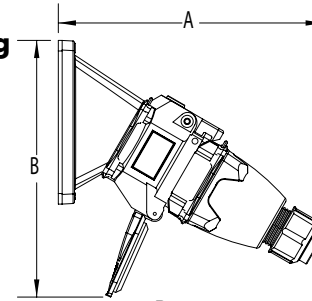
PRODUCT	A	B	C	D	ØE	F	G	H
DSN20/DSN12c	5.26	5.60	1.65	1.65	0.19	3.15	2.10	N/A
DSN30/DSN24c	7.05	6.93	1.89	1.89	0.18	3.53	2.88	N/A
DSN60/DSN37c	7.74	7.22	2.17	2.17	0.2	3.64	3.09	N/A
DSN100	8.96	7.90	2.59	2.59	0.22	4.53	3.37	N/A
DSN150	11.04	10.02	3.20	3.20	0.23	5.71	4.74	12.62

### Box /30° Angle/ Receptacle/Plug



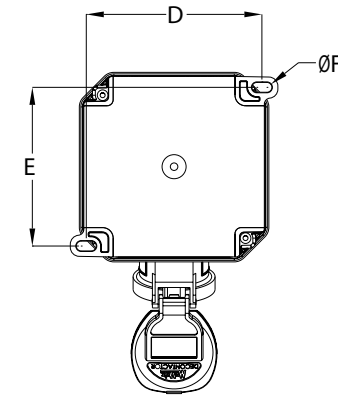
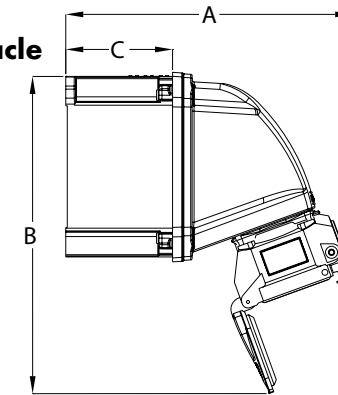
PRODUCT	A	B	C	D	ØE
DSN20/DSN12c	7.80	7.25	4.19	2.75	0.27
DSN30/DSN24c	9.85	7.60	4.19	2.75	0.27
DSN60/DSN37c	10.48	8.20	4.19	2.75	0.27
DSN100	11.87	10.74	5.00	3.81	0.33
DSN150	16.06	10.33	6.75	4.25	0.31

### 30° Angle/Receptacle/Plug



PRODUCT	A	B	C	D	ØE
DSN20/DSN12c	7.80	7.10	2.50	3.75	0.18
DSN30/DSN24c	9.85	8.50	2.50	3.75	0.22
DSN60/DSN37c	10.48	9.02	2.50	3.75	0.22
DSN100	9.17	10.45	3.43	4.83	0.26
DSN150	16.06	12.05	4.83	4.83	0.28

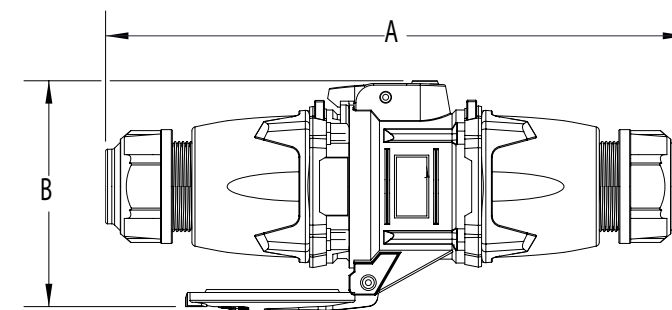
### 70° Wall Box/Receptacle



PRODUCT	A	B	C	D	E	ØF
DSN20/DSN12c	7.51	8.30	2.80	4.60	4.15	0.26
DSN30/DSN24c	7.93	9.51	2.80	4.60	4.15	0.26
DSN60*/DSN37c	8.91	11.55	2.80	6.17	5.73	0.26
DSN100	9.07	12.70	2.80	6.17	5.73	0.26

\* Box has 4 mounting feet.

### Plug/Connector



PRODUCT	A	B
DSN20/DSN12c	9.09	3.50
DSN30/DSN24c	10.43	4.57
DSN60/DSN37c	11.26	4.80
DSN100	12.17	8.03
DSN150	19.53	8.03