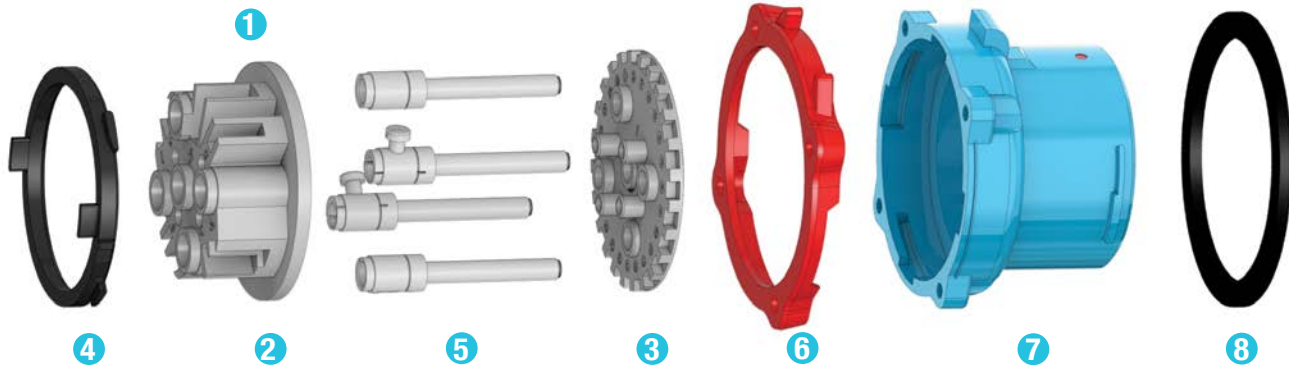







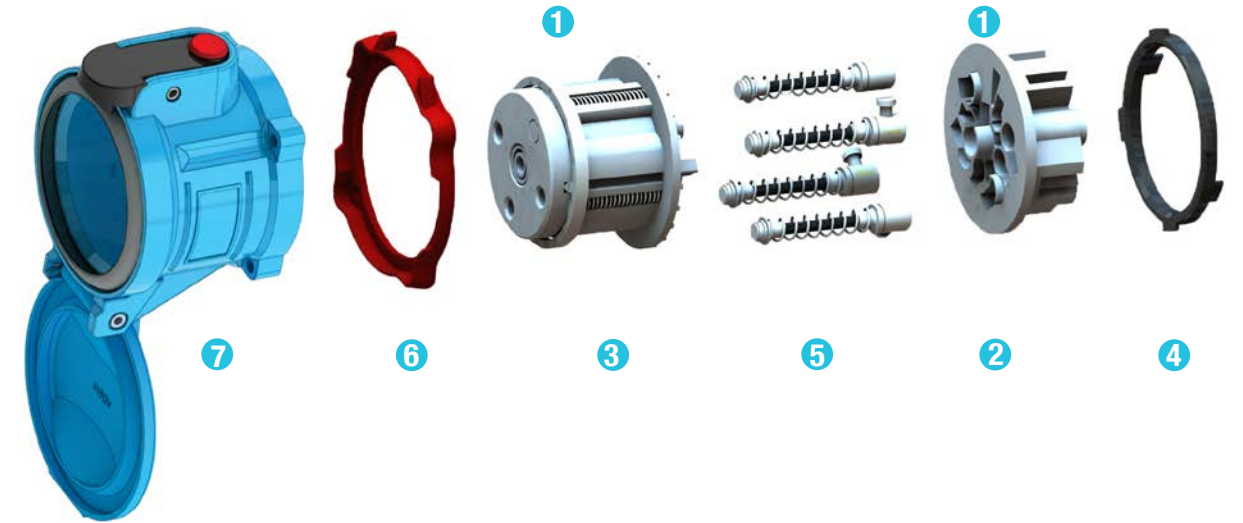
Male Configuration







	DR30 POLY	DR50 POLY	DR100 POLY	DR100 METAL	DR150 POLY	DR150 METAL	DR250 METAL
1 Plug Insulator	31-1A010*	31-3A010*	31-6A010*	39-6A010*	31-9A010*	39-9A010*	39-2A010*
2 Insulator Bottom	31-1A010-B	31-3A010-B	31-6A010-B	39-6A010-B	31-9A010-B	39-9A010-B	39-2A010-B
3 Insulator Top	31-1A010-T*	31-3A010-T*	31-6A010-T*	39-6A010-T	31-9A010-T*	39-9A010-T*	39-2A010-T*
4 Locking Ring	31-1A583	31-3A583	31-6A583	39-6A583	31-9A583	39-9A583	39-2A583
5 Plug Phase Contact	31-1A011	31-3A011	31-6A011	39-6A011	31-9A011	39-9A011	39-2A011
5 Plug Pilot Contact	31-1A011-972	31-3A011-972	31-6A011-972	39-6A011-972	31-9A011-972	39-9A011-972	39-2A011-972
5 Plug Ground Contact	31-1A019	31-3A019	31-6A019	39-6A019	31-9A019	39-9A019	39-2A019
6 Color-Coded Voltage Gasket		31-1AJ26	31-3AJ26	31-6AJ26	39-6AJ26	31-9AJ26	39-2AJ26
		31-1AC26	31-3AC26	31-6AC26	39-6AC26	31-9AC26	39-2AC26
		31-1AB26	31-3AB26	31-6AB26	39-6AB26	31-9AB26	39-2AB26
		31-1AR26	31-3AR26	31-6AR26	39-6AR26	31-9AR26	39-2AR26
		31-1AN26	31-3AN26	31-6AN26	39-6AN26	31-9AN26	39-2AN26
7 Plug Casing	31-1A014*	31-3A014*	31-6A014*	39-6A014*	31-9A014*	39-9A014*	39-2A014*
8 Type 4X Gasket	31-1A056	31-3A056	-	-	-	-	-

* Please provide full part number for accurate part alignment.
Part numbers in catalog are for current revisions, others may be available upon request.
 For replacement parts contact Customer Service at 800-433-7642.

Female Configuration



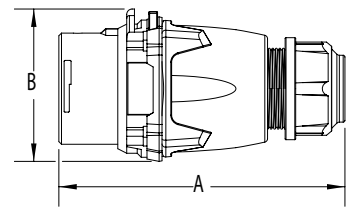
	DR30 POLY	DR50 POLY	DR100 POLY	DR100 METAL	DR150 POLY	DR150 METAL	DR250 METAL
1 Receptacle Insulator	31-1A020*	31-3A020*	31-6A020*	39-6A020*	31-9A020*	39-9A020*	39-2A020*
2 Insulator Bottom	31-1A020-B	31-3A320	31-6A020-B	39-6A020-B	31-9A020-B	39-9A020-B	39-2A020-B
3 Insulator Top	31-1A020-T*	31-3A020-T*	31-6A020-T*	39-6A020-T*	31-9A020-T*	39-9A020-T*	39-2A020-T*
4 Locking Ring	31-1A583	31-3A583	31-6A583	39-6A583	31-9A583	39-9A583	39-2A583
5 Receptacle Phase Contact	31-1A021	31-3A021	31-6A021	39-6A021	31-9A021	39-9A021	39-2A021
5 Receptacle Pilot Contact	31-1A021-972	31-3A021-972	31-6A021-972	39-6A021-972	31-9A021-972	39-9A021-972	39-2A021-972
5 Receptacle Ground Contact	31-1A019	31-3A029	31-6A029	39-6A029	31-9A029	39-9A029	39-2A029
6 Color-Coded Voltage Gasket		31-1AJ26	31-3AJ26	31-6AJ26	39-6AJ26	31-9AJ26	39-2AJ26
		31-1AC26	31-3AC26	31-6AC26	39-6AC26	31-9AC26	39-2AC26
		31-1AB26	31-3AB26	31-6AB26	39-6AB26	31-9AB26	39-2AB26
		31-1AR26	31-3AR26	31-6AR26	39-6AR26	31-9AR26	39-2AR26
		31-1AN26	31-3AN26	31-6AN26	39-6AN26	31-9AN26	39-2AN26
7 Receptacle Casing	31-1A024*	31-3A024*	31-6A024*	39-6A024*	31-9A024*	39-9A024*	39-2A024*
Lid Replacement Kit	31-1A125	31-3A125	31-6A125	39-6A925	31-9A125	39-9A925	39-2A925
Pawl Replacement Kit Polyester	31-3A824	31-3A824	31-6A824	-	31-9A824	-	-
Pawl Replacement Kit Metal	31-1A924	31-3A924	31-6A924	39-6A824	31-9A924	39-9A824	39-2A824
Drawbar Replacement Kit	-	-	-	-	31-9A726	39-9A726	39-2A726

* Please provide full part number for accurate part alignment.
Part numbers in catalog are for current revisions, others may be available upon request.
 For replacement parts contact Customer Service at 800-433-7642.

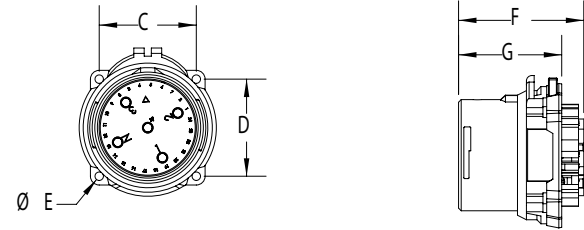


Dimensions are for reference only and may change depending on accessories used. For precise dimensions contact MELTRIC Engineering.

Plug

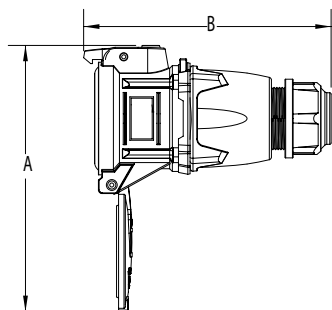


Inlet

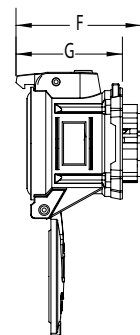
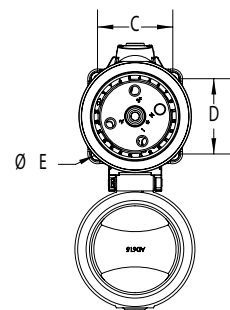


PRODUCT	A	B	C	D	ØE	F	G
DR30	5.72	2.79	1.89	1.89	0.20	2.28	1.86
DR50	6.15	3.23	2.17	2.17	0.20	2.93	2.07
DR100/DR7c	6.70	3.77	2.59	2.59	0.24	3.42	2.38
DR150	8.33	4.59	3.20	3.20	0.24	4.14	3.04
DR250	10.30	5.67	3.86	3.86	0.26	4.66	3.20

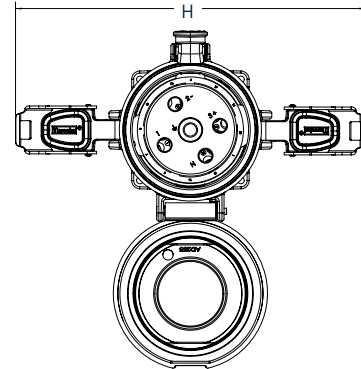
Connector



Receptacle



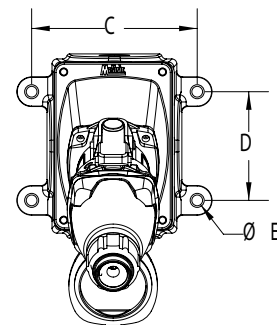
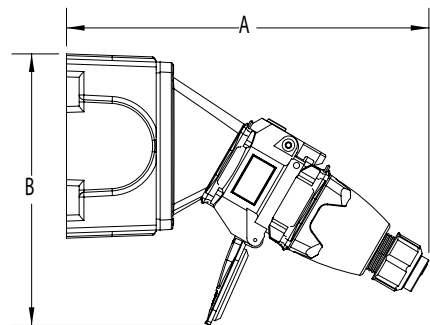
Extended Draw bars



PRODUCT	A	B	C	D	ØE	F	G	H
DR30	6.32	6.38	1.89	1.89	0.20	3.30	2.6	N/A
DR50	7.16	6.93	2.17	2.17	0.20	3.73	2.87	N/A
DR100/DR7c	8.46	7.90	2.59	2.59	0.22	4.53	3.37	N/A
DR150	11.04	10.02	3.20	3.20	0.23	5.71	4.74	11.25
DR250	12.70	10.87	3.86	3.86	0.26	6.21	4.75	12.07

Box/30° Angle/Receptacle/Plug

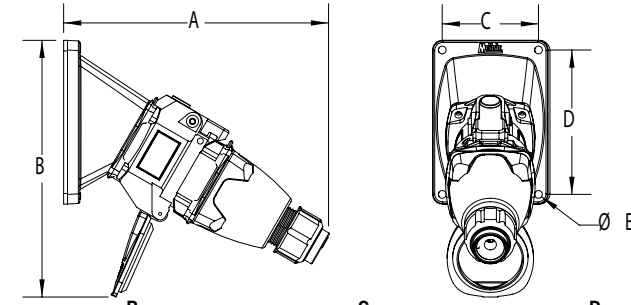
Dimensions for DR250 include 60° angle.



PRODUCT	A	B	C	D	ØE
DR30	9.85	7.60	4.19	2.75	0.27
DR50	10.48	8.20	4.19	2.75	0.27
DR100/DR7c	11.87	10.74	5.00	3.81	0.33
DR150	16.06	10.33	6.75	4.25	0.31
DR250	15.76	12.70	8.13	6.38	0.31

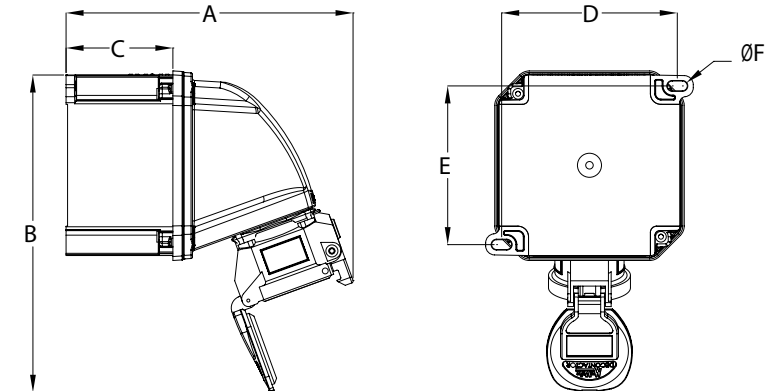
30° Angle/Receptacle/Plug

Dimensions for DR250 include 60° angle.



PRODUCT	A	B	C	D	ØE
DR30	7.60	7.87	2.50	3.75	0.22
DR50	8.19	8.44	2.50	3.75	0.22
DR100/DR7c	9.17	10.45	3.43	4.83	0.26
DR150	14.09	12.05	4.83	4.83	0.28
DR250	11.61	16.20	6.50	6.50	0.25

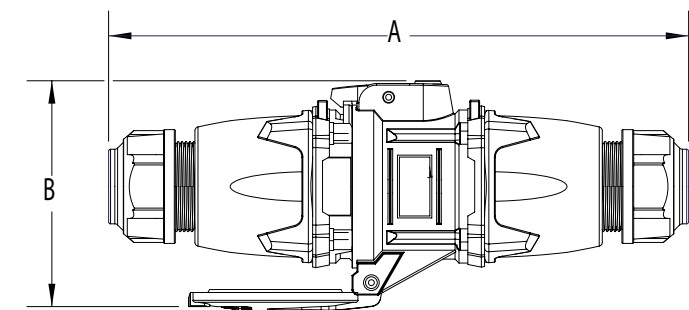
70° Wall Box/Receptacle



PRODUCT	A	B	C	D	E	ØF
DR30	7.51	8.30	2.80	4.60	4.15	0.26
DR50	7.93	9.51	2.80	4.60	4.15	0.26
DR100/DR7c*	9.07	12.70	2.80	6.17	5.73	0.26

* Box has 4 mounting feet

Plug/Connector



PRODUCT	A	B
DR30	10.20	4.61
DR50	10.91	5.71
DR100/DR7c	12.17	6.57
DR150	19.53	8.03
DR250	23.15	8.00