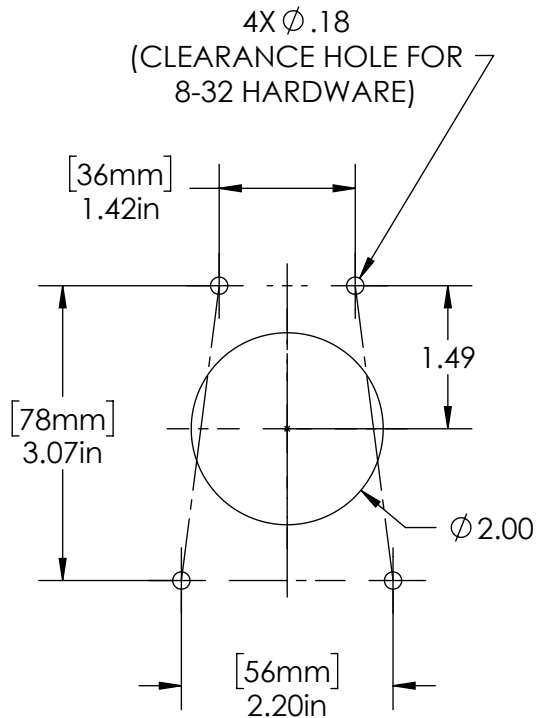
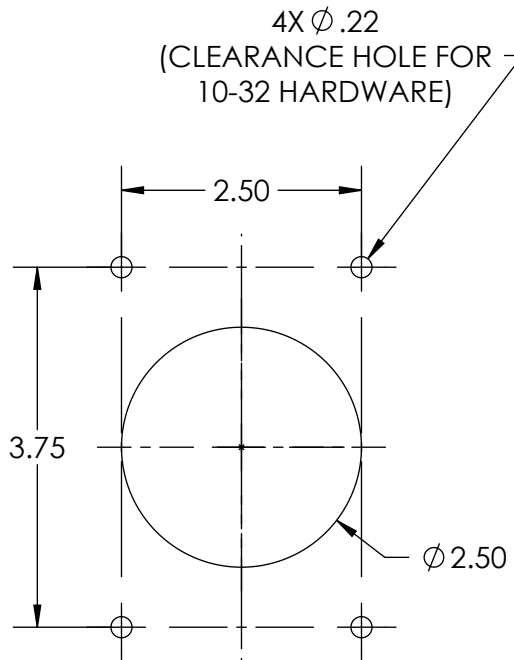


This drawing is the property of MELTRIC Corporation, Franklin (Milwaukee), Wisconsin, USA. Any unauthorized copying of this drawing by any means, ENG/RD/06 REV: 20 ISSUED DATE: 1/15/11 or disclosure of its contents to any person not authorized by MELTRIC Corporation or its agents to receive it, is strictly prohibited.

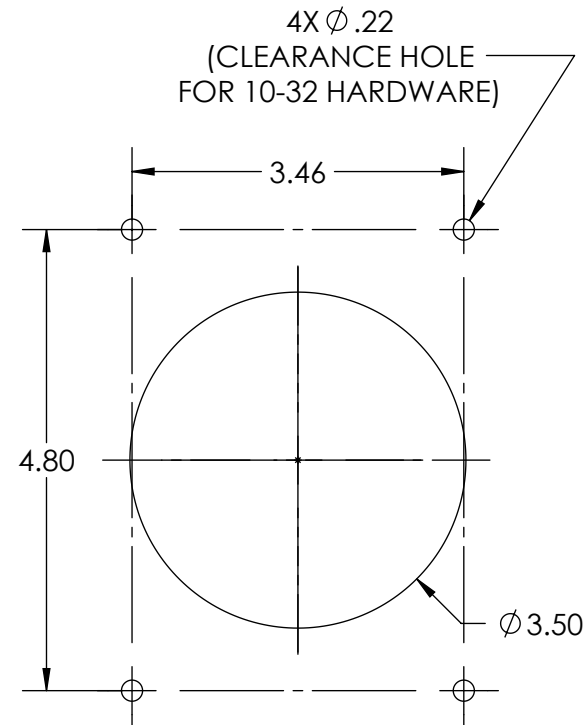
# MELTRIC ANGLE MOUNTING PATTERNS



**OBSOLETE ANGLE ADAPTERS USING TRAPAZOID MOUNTING PATTERN: REQUIRE AN ADAPTER PLATE TO MOUNT TO 7T1F0Nxx JUNCTION BOX**



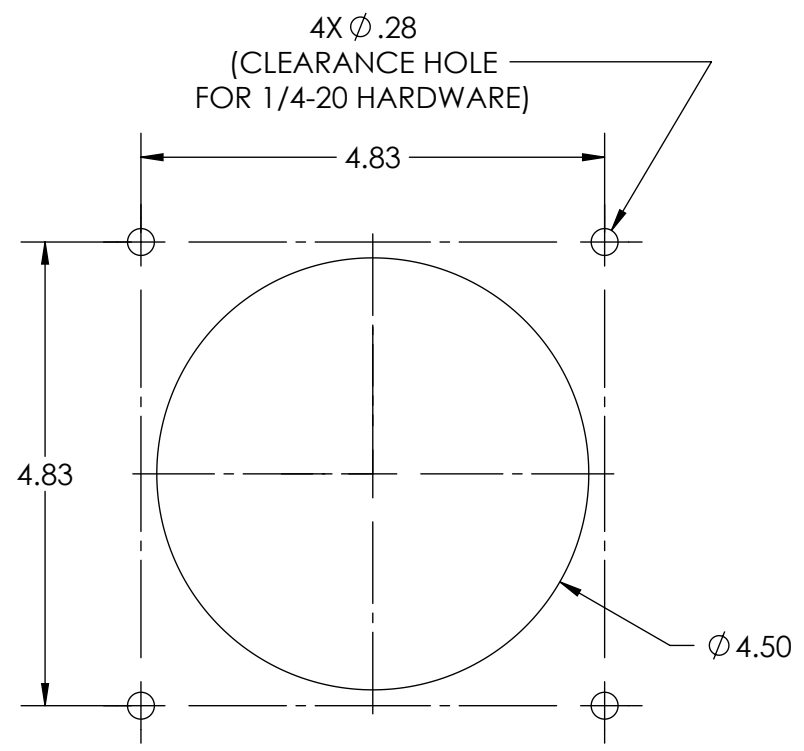
**FITS 7T1F0Nxx JUNCTION BOX: 511M3, 512M3, 513M3, 591M0, 591M4, 592M0, 592M3, 593M0, 593M3, 593M7**



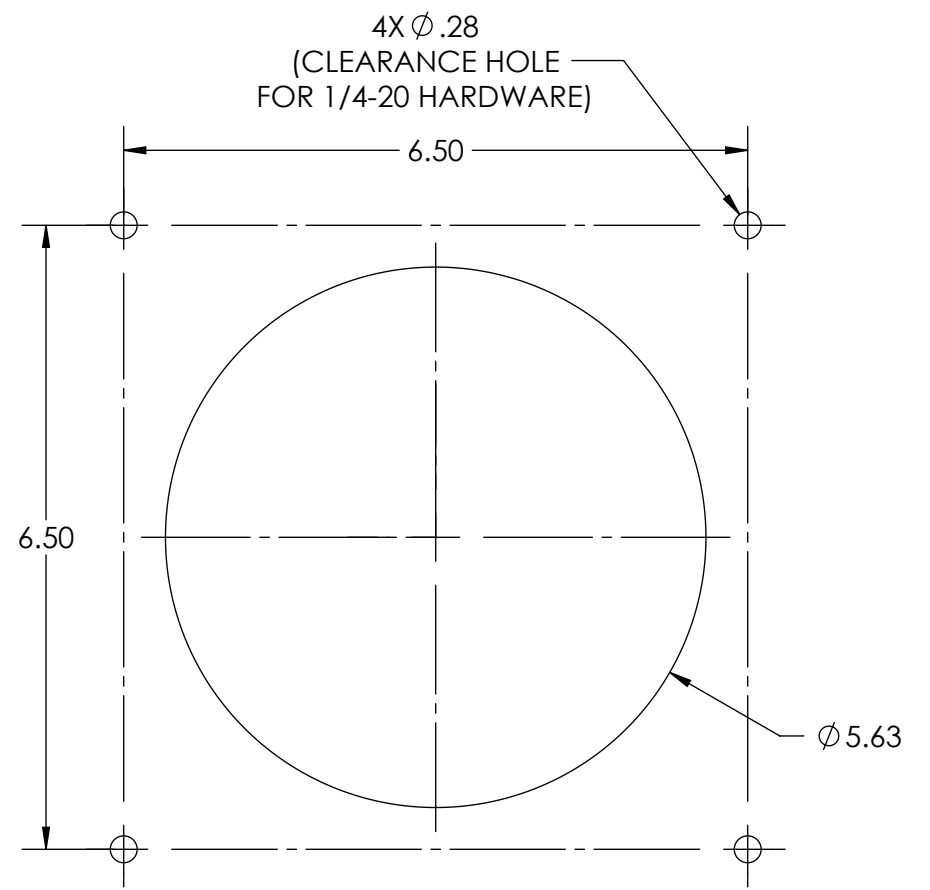
**FITS 7T4F0Nxx JUNCTION BOX: 514M3, 594M0, 594M3, 594M7, 794M3L**

TOLERANCES UNLESS OTHERWISE SPECIFIED		<b>MELTRIC</b> A COMPANY OF MARÉCHAL ÉLECTRIC	
MACHINED SURFACES $\sqrt[125]{\text{MAX}}$  GROUND SURFACES $\sqrt[32]{\text{MAX}}$  ANGLE TOLERANCE $\pm 1^\circ$  REMOVE BURRS & SHARP EDGES TO .015 MAX.	<b>ENGLISH</b>  0.X $\pm 0.05$ 0.XX $\pm 0.01$ 0.XXX $\pm 0.005$	DRAWN: _____ DATE: _____ SHEET: 1 OF 2	APPROVED: _____ SCALE: NTS PART NUMBER: ANGLE MTG PATTERNS DRAWING TITLE: MELTRIC ANGLE MOUNTING PATTERNS MATERIAL: _____ REVISION: _____

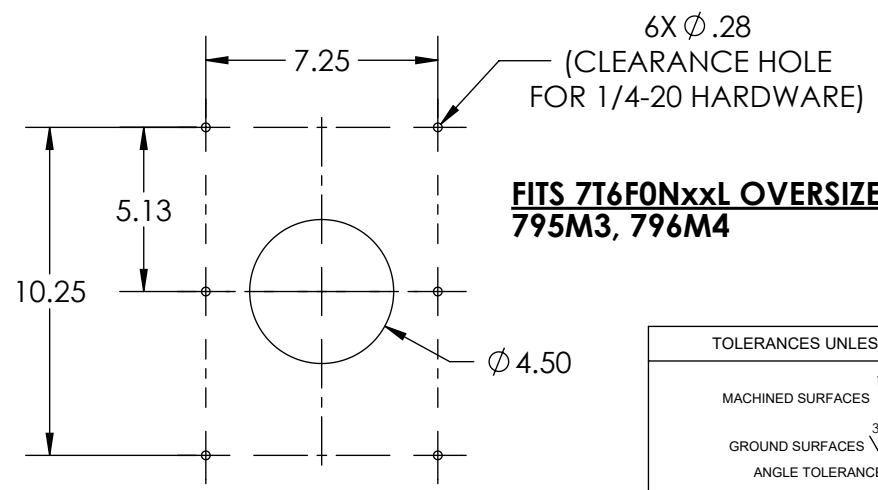
This drawing is the property of MELTRIC Corporation, Franklin (Milwaukee) Wisconsin, USA. Any unauthorized copying of this drawing by any means, ENG/RD/06 REV: 20 ISSUED DATE: 1/15/11 or disclosure of its contents to any person not authorized by MELTRIC Corporation or its agents to receive it, is strictly prohibited.



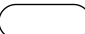
**FITS 7T5F0Nxx JUNCTION BOX:**  
**515M3, 595M0, 595M3, 595M7**




**FITS 7T6F0Nxx JUNCTION BOX:**  
**596M0, 596M6**



**FITS 7T6F0NxxL OVERSIZED JUNCTION BOX:**  
**795M3, 796M4**

TOLERANCES UNLESS OTHERWISE SPECIFIED	
MACHINED SURFACES $\sqrt[125]{\text{MAX}}$	ENGLISH
GROUND SURFACES $\sqrt[32]{\text{MAX}}$	
ANGLE TOLERANCE $\pm 1^\circ$	0.X $\pm 0.05$
REMOVE BURRS & SHARP EDGES TO .015 MAX.	0.XX $\pm 0.01$
 DIMENSIONS SHOWN IN OVALS ARE INSPECTION DIMENSIONS.	0.XXX $\pm 0.005$

		DRAWING TITLE:	
A COMPANY OF MARÉCHAL ÉLECTRIC		MELTRIC ANGLE MOUNTING PATTERNS	
DRAWN	APPROVED	SCALE	MATERIAL:
DATE:		NTS	-
SHEET:	PART NUMBER		REVISION
2 OF 2	ANGLE MTG PATTERNS		