

30 A

500 V
U MAXI

INDUSTRIAL PLUG PN



IP66
IP67



1-6 mm² (1)
1,5-10 mm² (2)



GRP
METAL



IK09



-40 °C
+60 °C

(1) Flexible wiring (min.-max.).
(2) Stranded wiring (min.-max.).



Other configurations
on request

GRP devices are not
compatible with metal
devices.



For a black colour
GRP housing replace
the second reference
character with 5.

Dual-voltage
socket-outlet
(see p. 11)



SOCKET-OUTLET

female
PN



INLET male
PN



20-24 V AC	2P	01N408A	01N808A
220-250 V AC	1P+N+E	01N4015	01N8015
380-440 V AC	3P+E	01N4013	01N8013
220-250 V AC 380-440 V AC	3P+N+E	01N4017	01N8017
480-500 V AC	3P+E	01N4093	01N8093
480-500 V AC	3P+N+E	01N4097	01N8097

► Other currents, voltages, frequencies and contact configurations are available (see page 14).



SOCKET-OUTLET

female
PN



INLET male
PN



20-24 V AC	2P	09N408A	09N808A
220-250 V AC	1P+N+E	09N4015	09N8015
380-440 V AC	3P+E	09N4013	09N8013
220-250 V AC 380-440 V AC	3P+N+E	09N4017	09N8017
480-500 V AC	3P+E	09N4093	09N8093
480-500 V AC	3P+N+E	09N4097	09N8097

► Other currents, voltages, frequencies and contact configurations are available (see page 14).

OPTIONS Reference

INDUSTRIAL/DOMESTIC ADAPTERS

Industrial inlet MARECHAL® 1P+N+E and domestic socket-outlet 10/16 A 230 V fuse protection 10A and 16A (with integrated fuse). All these plug adapters are available to local standards: replace D11 by D40 for UK, D30 for Germany/Netherlands/Luxembourg, D06 for Italy.



01N8015D11

LOCKING FOR 1 PADLOCK Ø 4 mm (WITHOUT SHAFT)



Ref. + 843

SCREW LOCKING IMPRINT BTR 2,5



Ref. socket + 22

REVERSED INTERIOR AND CONTACTS



The connector is supplied with a rubber inlet cap.

Ref. conn. + 001
Ref. socket + 001

IP55 SOCKET-OUTLET SELF-CLOSING LID



Replace N by S
Ex: 400 V 3P+N+E
poly = 01S4017

INLET CAP



01NA426

180° OPENING LID



Ref. socket +10

SELF CLOSING/SELF RETURNING LID



Socket-outlet ref.+R

180° OPENING + SELF-RETURNING LID



Ref. socket +18

**ELECTROMAGNETIC COMPATIBILITY (EMC)
(SEE DETAIL PAGE 309)**



Ref. socket and metal connector +EMC

PRODUCTS AVAILABLE IN BLACK ●

The black dot means these products are also available in black color. Replace the second character of the product reference with 5

SLEEVE Ref. EMC Option

POLY SLEEVE ●



30° 511M3 /



70° 511M7 /

METAL SLEEVE



0° (Straight) 591M0 Ref. +EMC



30° 591M3 Ref. +EMC



45° 591M4 Ref. +EMC

BOXES Input Ref. EMC Option

POLY BOX



0° (Straight) M20 511B0M20 /



0° (Straight) M25 511B0M25 /



30° M20 511B3M20 ● /



30° M25 511B3M25 ● /

METAL BOX (+ EARTHING WIRE)



0° (Straight) M20 591B0M20 Ref. +EMC



0° (Straight) M25 591B0M25 Ref. +EMC

POLY BOX + POLY SLEEVE



70° Without hole 511C7000 /



70° Hole Ø 20 511C7M20 /



Earth bar ref. : 51AA089
70° Hole Ø 25 511C7M25 /



70° Hole Ø 32 511C7M32 /

METAL BOX (+ EARTHING WIRE) + POLY SLEEVE



30° M20 511C3M20 /

METAL BOX (+ EARTHING WIRE) + METAL SLEEVE



45° M20 591C4M20 Ref. +EMC



45° M25 591C4M25 Ref. +EMC



45° M32 591C4M32 Ref. +EMC

Cable glands are not delivered with the boxes.

HANDLE Input/Cable outer Ø Ref. EMC Option

POLY HANDLE WITH GLAND ●



9-18 mm 511P0D18 /



5-21 mm 511P0D21 /



60° 9-18 mm 511P6D18 /

POLY HANDLE + POLY CABLE GLAND ●



5-12 mm 511P020P /



9-18 mm 511P025P /



14-25 mm 511P032P /

METAL HANDLE WITH METAL GLAND (+ EARTHING WIRE)



7-13 mm 591P020M Ref. +EMC (7-12 mm)



8-16 mm 591P025M Ref. +EMC (9-16 mm)



16-24 mm 591P032M Ref. +EMC (11-21 mm)

POLY HANDLE (WITHOUT CABLE GLAND) ●



M20 511P0M20 /



M25 511P0M25 /



M32 511P0M32 /

METAL HANDLE METRIC THREAD ENTRY (WITHOUT CABLE GLAND)



M20 591P0M20 Ref. +EMC



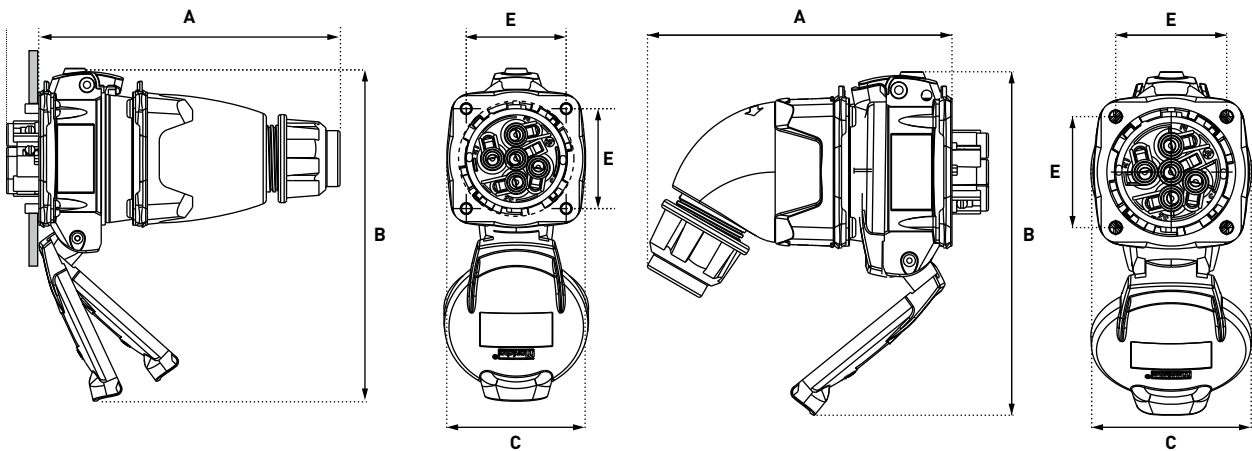
M25 591P0M25 Ref. +EMC



M32 591P0M32 Ref. +EMC

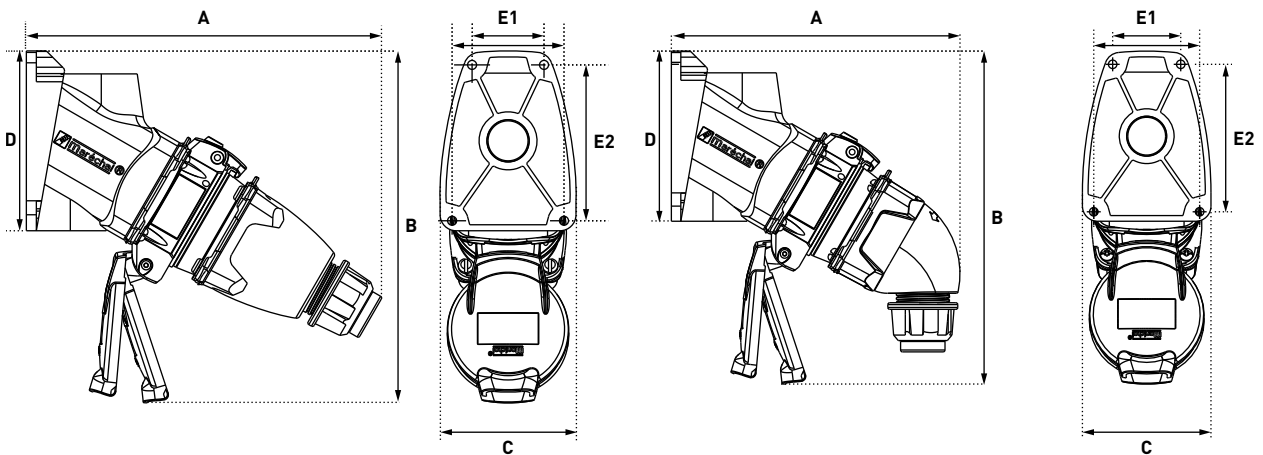
DRAWINGS AND DIMENSIONS

PLUG ON SOCKET-OUTLET



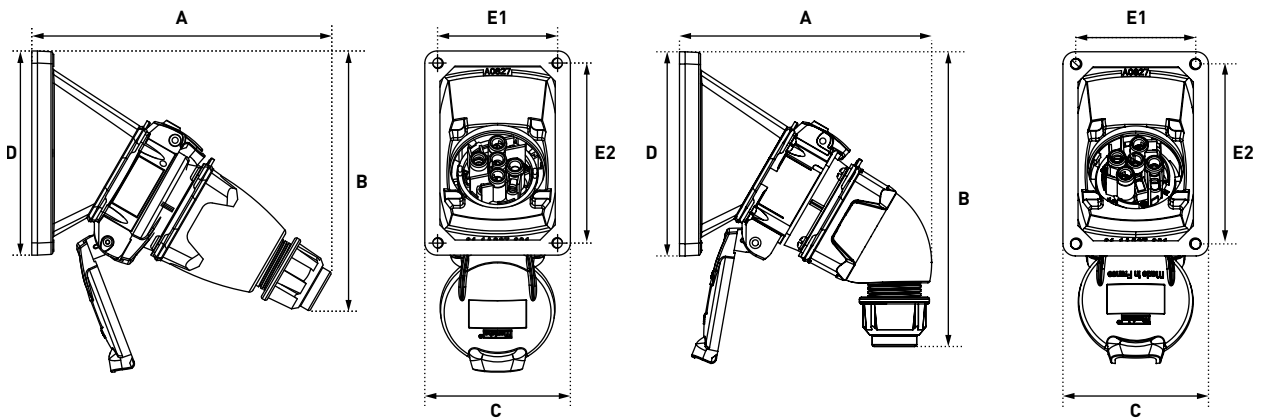
	A	B	C	E
Straight handle	127	140	58	42
Angled handle	117	138	61	42

PLUG ON 30° WALL MOUNTED SOCKET OUTLET



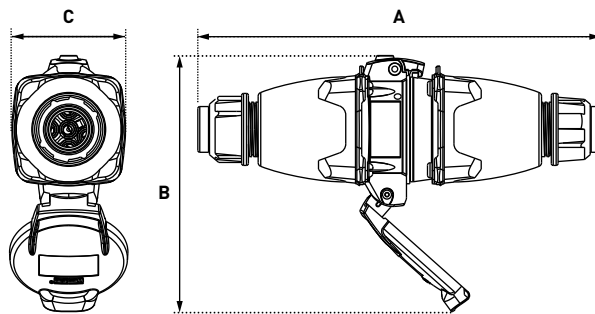
	A	B	C	D	E1	E2
Straight handle	178	176	68	90	36/56	78
Angled handle	153	176	68	90	36/56	78

PLUG ON 30° INCLINED SOCKET-OUTLET



	A	B	C	D	E1	E2
Straight handle	160	170	77	108	64	95
Angled handle	133	165	77	108	64	95

COUPLER



	A	B	C
Straight handle	208	132	58