

MULTICONTACT CONNECTORS

7 CONTACTS

25 A

PN7C



7 CONTACTS

50 A/100 A

DS7C3/6



9 CONTACTS

30 A

DN9C



12 CONTACTS

16 A

PN12C



MODEL

MAX NB OF CONTACTS

CURRENT

U MAX
AC

PN7C

6+E (screw-type)

25 A

500 V

DS7C3

6+E (screw-type)

50 A

500 V

DS7C6

6+E (screw-type)

100 A

500 V

DN9C

8+E (screw-type)

30 A

415 V

PN12C

11+E (welding/crimping)

16 A

480 V

DSN12C

11+E (welding/crimping)

16 A

480 V

DN20C

19+E (screw-type)

25 A

415 V

DSN24C

23+E (welding/crimping)

16 A

480 V

DSN37C

36+E (welding/crimping)

16 A

480 V

DOWNLOAD ALL TECHNICAL SHEETS ON OUR WEBSITE MARECHAL.COM

SELECTION GUIDE

12 CONTACTS
16 A

DSN12C



20 CONTACTS
25 A

DN20C



24 CONTACTS
16 A

DSN24C



37 CONTACTS
16 A

DSN37C



MULTICONTACT



| MATERIAL | IP | EMC | IK | PAGE |
|------------|-----------|-------------|------|------|
| POLY METAL | IP66/IP67 | Yes (metal) | IK09 | 144 |
| METAL | IP66/IP67 | Yes | IK09 | 148 |
| POLY METAL | IP66/IP67 | Yes (metal) | IK09 | 152 |
| METAL | IP54/IP55 | Yes | IK09 | 156 |
| POLY METAL | IP66/IP67 | Yes (metal) | IK09 | 160 |
| POLY | IP66/IP67 | / | IK09 | 164 |
| METAL | IP54/IP55 | / | IK09 | 168 |
| POLY | IP66/IP67 | / | IK09 | 172 |
| POLY | IP66/IP67 | / | IK09 | 176 |






CRIMPING CONTACTS

FOR PN12C/DSN12C/DSN24C/DSN37C

ECONOMIC AND TECHNICAL ADVANTAGES

Crimping ensures an economical and sustainable solution through installation time saving and quality of connection.

- No need for soldering performance qualifications.
- High resistance to vibrations.
- Handling more than 5000 operations: a high durability and quality of connection guaranteed.

| ACCESSORIES AND OPTIONS | DESIGNATION | REFERENCE |
|---|--|---|
|  | Bag of 13 females contacts | 01AA213 |
|  | Bag of 13 males contacts | 01AA113 (PN12C/DSN12C) 61CA113 (DSN24C/DSN37C) |
|  | Multi-Contact removal tool | 61CA593 |
|  | European crimping tool | 61CA500 |
|  | Helavia sleeve expansion tool | 61CA400 |
| | Bag of 13 heat shrink insulation sleeves | 61CA083 |

FAST WIRING

- Cable conductors: 1 mm² to 2,5 mm²
- Before wiring, add a heat-shrink sleeve or insulating sleeve on each conductor.
- After wiring, cover the visible portion of the contact with the sleeve.
- Crimp the contact with a KNIPEX crimping tool P/N° 61CA500 or a GREENLEE crimping tool P/N° 45505.
- Use the 4 mm² footprint whatever the conductor cross-section.
- Perform double crimping in compliance with NF C 20-130 and CEI 60352-2 standards.
- Conductors can equally be soldered.

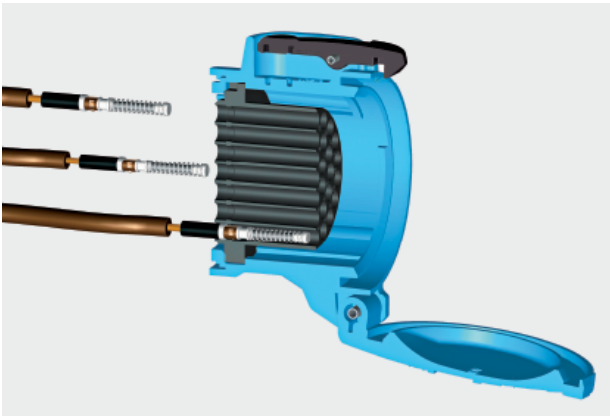
INFOS +

Leaving 2 contacts unused can give 9 different keying positions (on socket outlet side or mobile plug side) using the two specific stopping plugs supplied.

SIMPLE ASSEMBLY AND DISASSEMBLY

ASSEMBLY

To insert contacts when they have been wired is simple. Push wired contact into rear of insulator until it stops to complete the installation.

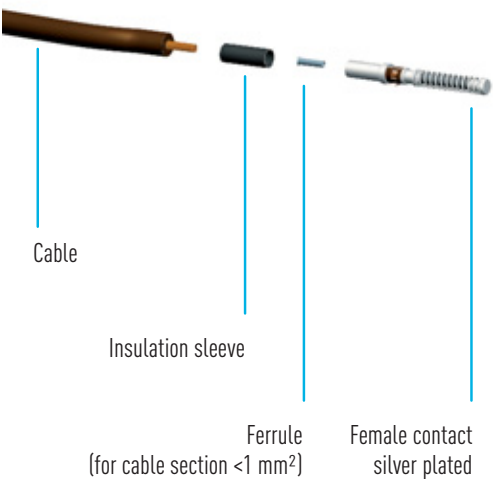


DISASSEMBLY

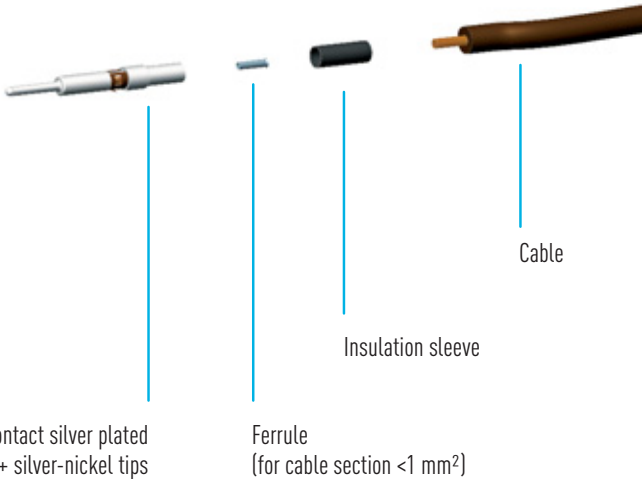
To remove, use the tool provided. Push tool from front onto contact until tool stops. Contact is then released at rear of insulator.



Socket-outlet side



Connector side



7 CONTACTS

25 A

500 V
U_{MAXI}

MULTICONTACTS CONNECTORS PN7C



IP66
IP67



1-4 mm² (1)
1-6 mm² (2)



GRP
METAL



IK09



-40 °C
+60 °C



EMC
METAL

(1) Flexible wiring (min.-max.).
(2) Stranded wiring (min.-max.).

OTHER FEATURES

| | |
|--------------------------|------------|
| ∑ of currents (contacts) | ≤ 130 A |
| Terminals wiring | screw-type |



SOCKET-OUTLET
female
PN7c



INLET male
PN7c



GRP devices are not compatible with metal devices.

| | | | |
|----------|-------------|---------|---------|
| 50 V AC | 6P (16 A) | 01P4060 | 01P8060 |
| 50 V AC | 7P (16 A) | 01P4070 | 01P8070 |
| 500 V AC | 5P+E (25 A) | 01P4051 | 01P8051 |
| 500 V AC | 6P+E (16 A) | 01P4061 | 01P8061 |



SOCKET-OUTLET
female
PN7c



INLET male
PN7c



For a black colour GRP housing replace the second reference character with 5.

| | | | |
|----------|-------------|---------|---------|
| 50 V AC | 6P (16 A) | 09P4060 | 09P8060 |
| 50 V AC | 7P (16 A) | 09P4070 | 09P8070 |
| 480 V AC | 5P+E (25 A) | 09P4051 | 09P8051 |
| 480 V AC | 6P+E (16 A) | 09P4061 | 09P8061 |






| OPTIONS | Reference |
|--|---------------------------------------|
| LOCKING FOR 1 PADLOCK Ø 4 mm (WITHOUT SHAFT) | |
|  | Ref. + 843 |
| SCREW LOCKING IMPRINT BTR 2,5 | |
|  | Ref. + 22 |
| INLET CAP IP66/IP67 | |
|  | 01NA426 |
| REVERSED INTERIOR AND CONTACTS | |
|  The connector is supplied with a rubber inlet cap. | Ref. conn. + 001 Ref. socket + 001 |
| 180° OPENING LID | |
|  | Ref. socket + 10 |
| IP40 SELF RETURNING LID (MANUAL CLOSING) | |
|  | Socket-outlet ref.+R |
| 180° OPENING + SELF-RETURNING LID | |
|  | Ref. socket + 18 |
| ELECTROMAGNETIC COMPATIBILITY (EMC) ● NEW | |
|  Please order a metal threaded accessory herewith, together with a EMC cable gland to be found on page 318. | |



PRODUCTS AVAILABLE IN BLACK ●

The black dot means these products are also available in black color. Replace the second character of the product reference with 5

PRODUCT WITH ANTI-BACTERIAL TREATMENT ● **NEW**

This sticker means that the product is also available with an antibacterial treatment. Add the suffix AG to the reference. For more information on anti-bacterial treated handles please consult us.

| SLEEVE | ∠x° | Reference |
|---|---------------|-----------|
| POLY SLEEVE ● | | |
|  | 30° | 511M3 |
|  | 70° | 511M7 |
| METAL SLEEVE ● | | |
|  | 0° (Straight) | 591M0 |
|  | 30° | 591M3 |
|  | 45° | 591M4 |

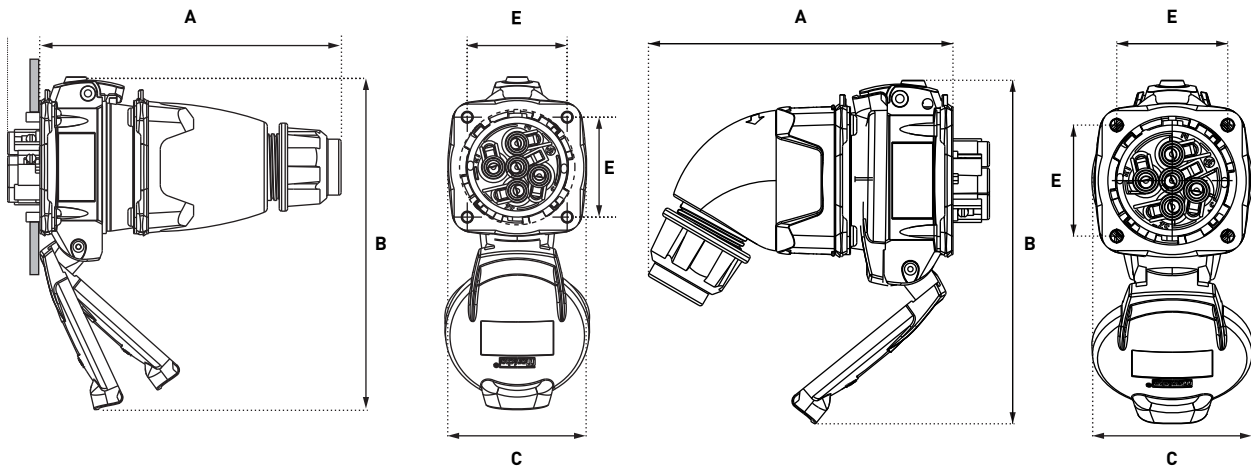
| BOXES | ∠x° | Input | Ref. |
|--|---------------|--------------|----------|
| POLY BOX ● | | | |
|  | 0° (Straight) | M20 | 511B0M20 |
|  | 0° (Straight) | M25 | 511B0M25 |
|  | 30° | M20 | 511B3M20 |
|  | 30° | M25 | 511B3M25 |
| POLY BOX + POLY SLEEVE | | | |
|  | 70° | Without hole | 511C7000 |
|  | 70° | Hole Ø 20 | 511C7M20 |
|  | 70° | Hole Ø 25 | 511C7M25 |
|  | 70° | Hole Ø 32 | 511C7M32 |
| Earth bar ref. : 51AA089 | | | |
| METAL BOX (+ EARTHING WIRE) + POLY SLEEVE | | | |
|  | 30° | M20 | 511C3M20 |
| METAL BOX (+ EARTHING WIRE) + METAL SLEEVE ● | | | |
|  | 45° | M20 | 591C4M20 |
|  | 45° | M25 | 591C4M25 |
|  | 45° | M32 | 591C4M32 |

Cable glands are not delivered with the boxes.

| HANDLE | Input/ Cable outer Ø | Ref. | |
|---|-------------------------|----------|----------|
| POLY HANDLE WITH GLAND ● ● | | | |
|  | 9-18 mm | 511P0D18 | |
|  | 5-21 mm | 511P0D21 | |
|  | 60° | 9-18 mm | 511P6D18 |
| POLY HANDLE + POLY CABLE GLAND ● ● | | | |
|  | 5-12 mm | 511P020P | |
|  | 9-18 mm | 511P025P | |
|  | 14-25 mm | 511P032P | |
| METAL HANDLE WITH METAL GLAND (+ EARTHING WIRE) | | | |
|  | 7-13 mm | 591P020M | |
|  | 8-16 mm | 591P025M | |
|  | 16-24 mm | 591P032M | |
| POLY HANDLE (WITHOUT CABLE GLAND) ● | | | |
|  | M20 | 511P0M20 | |
|  | M25 | 511P0M25 | |
|  | M32 | 511P0M32 | |
| METAL HANDLE METRIC THREAD ENTRY (WITHOUT CABLE GLAND) ● | | | |
|  | M20 | 591P0M20 | |
|  | M25 | 591P0M25 | |
|  | M32 | 591P0M32 | |

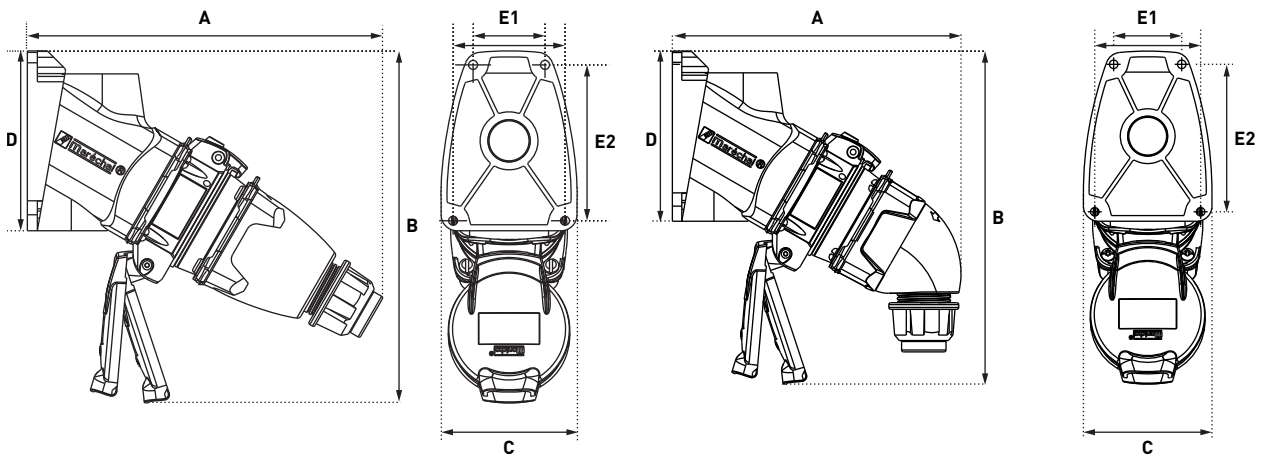
DRAWINGS AND DIMENSIONS

PLUG ON SOCKET-OUTLET



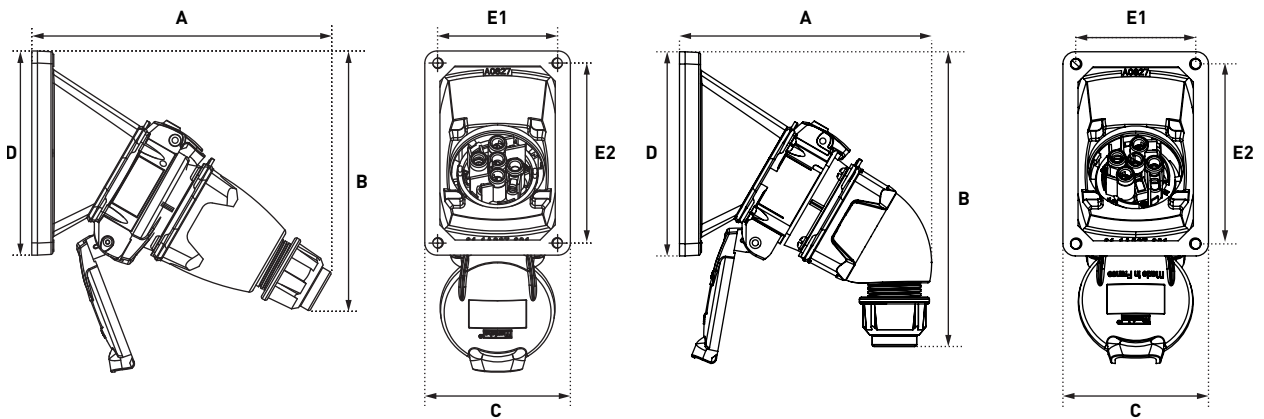
| | A | B | C | E |
|------------------------|-----|-----|----|----|
| Straight handle | 127 | 140 | 58 | 42 |
| Angled handle | 117 | 138 | 61 | 42 |

PLUG ON 30° WALL MOUNTED SOCKET OUTLET



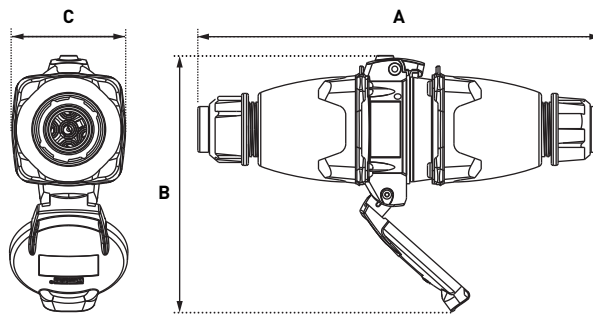
| | A | B | B | D | E1 | E2 |
|------------------------|-----|-----|----|----|-------|----|
| Straight handle | 178 | 176 | 68 | 90 | 36/56 | 78 |
| Angled handle | 153 | 176 | 68 | 90 | 36/56 | 78 |

PLUG ON 30° INCLINED SOCKET-OUTLET



| | A | B | C | D | E1 | E2 |
|------------------------|-----|-----|----|-----|----|----|
| Straight handle | 160 | 170 | 77 | 108 | 63 | 95 |
| Angled handle | 133 | 165 | 77 | 108 | 63 | 95 |

COUPLER



| | A | B | C |
|------------------------|-----|-----|----|
| Straight handle | 208 | 132 | 58 |

7 CONTACTS

50 A

500 V
U_{MAXI}

DECONTACTOR™ DS7C3



IP66
IP67



2,5-6 mm² (1)
2,5-10 mm² (2)



GRP
METAL



IK09



-40 °C
+60 °C



AC-22
AC-23



60309-1
60309-4
60947-3



3 AUX.



EMC
METAL

(1) Flexible wiring (min.-max.).
(2) Stranded wiring (min.-max.).

LOAD-BREAK CAPABILITY OF THE DECONTACTOR™

| | |
|---|------------|
| Comply with IEC/EN 60309-1 standards | 50 A/500 V |
| Load-break capability according to IEC/EN 60947-3/AC-22 | 50 A/500 V |

OTHER FEATURES

| | |
|--|------------------------|
| Terminals wiring | screw-type |
| Flexible and stranded wiring (min.-max.) | 2,5-10 mm ² |



SOCKET-OUTLET
female
DS7c3



INLET male
DS7c3



| | | | |
|---|-------------|------------|------------|
| 50 A/max 500 V AC | 6P+E | 3934561 | 3938561 |
| 50 A/max 500 V AC Auxiliaries 10 A/400 V | 6P+E+3 aux. | 3934561972 | 3938561972 |












SOCKET-OUTLET
female
DS7c3









INLET male
DS7c3






| | | | |
|---|-------------|------------|------------|
| 50 A/max 500 V AC | 6P+E | 3934561 | 3938561 |
| 50 A/max 500 V AC Auxiliaries 10 A/400 V | 6P+E+3 aux. | 3934561972 | 3938561972 |

| OPTIONS | Reference |
|--|------------|
| LOCKING PIN FOR 2 PADLOCKS Ø 4 TO 8 mm (PADLOCKS NOT SUPPLIED) | |
|  Socket-outlet ref. +843 | |
| SAFETY HASP FOR UP TO 6 PADLOCKS | |
|  399A541 | |
| LARGER RELEASE BUTTON | |
|  Ref. socket +453 | |
| INLET CAP IP66/IP67 | |
|  316A426 | |
| IN-LINE CONNECTIONS (A PAIR OF FINGER DRAW PLATES TO AID CLOSING) | |
|  316A346 | |
| IP40 SELF RETURNING LID (MANUAL CLOSING) | |
|  Ref. socket poly + R | |
| IP55 METAL LOCKABLE SELF-CLOSING LID FOR INLET | |
|  396A226 | |
| ELECTROMAGNETIC COMPATIBILITY (EMC) ● | NEW |
|  Please order a metal threaded accessory herewith, together with a EMC cable gland to be found on page 318. | |
| SELF-EJECTION | |
|  See page 192 | |




| HANDLE | Input/Cable outer Ø | Reference | Self-ejection |
|---|---------------------|-----------|---------------|
| ELASTOMER HANDLE WITH GLAND | | | |
|  | 18-25 mm | 554P0D25L | Ref. +443 |
| | 25-35 mm | 554P0D35L | Ref. +443 |
| | 35-45 mm | 554P0D45L | Ref. +443 |
| | 45-49 mm | 554P0D49L | Ref. +443 |
| POLY HANDLE WITH GLAND | | | |
|  | 13-35 mm | 514P0D35 | / |
| POLY HANDLE + POLY CABLE GLAND | | | |
|  | 14-25 mm | 514P032P | Ref. +443 |
| | 18-32 mm | 514P040P | Ref. +443 |
| | 24-38 mm | 514P050P | Ref. +443 |
| POLY HANDLE (WITHOUT CABLE GLAND) | | | |
|  | M32 | 514P0M32 | Ref. +443 |
| | M40 | 514P0M40 | Ref. +443 |
| | M50 | 514P0M50 | / |
| METAL HANDLE METRIC THREAD ENTRY (WITHOUT CABLE GLAND) ● | | | |
|  | M25 | 594P0M25 | / |
| | M32 | 594P0M32 | / |
| | M40 | 594P0M40 | / |
| | M50 | 594P0M50 | / |

| HANDLE | Input/Cable outer Ø | Reference |
|---|---------------------|-----------|
| METAL HANDLE WITH METAL GLAND (+ EARTHING WIRE) ● | | |
|  | 8-16 mm | 594P025M |
| | 16-24 mm | 594P032M |
| | 22-32 mm | 594P040M |
| | 34-44 mm | 594P050M |

| BOXES | △ x° | Input | Reference |
|---|------|--------------------|-----------|
| POLY BOX | | | |
|  | 30° | M32 | 514B3M32 |
| | 30° | M40 | 514B3M40 |
| METAL BOX (+ EARTHING WIRE) ● | | | |
|  | 20° | M25 | 594B2M25 |
| | 20° | M32 | 594B2M32 |
| | 20° | M40 | 594B2M40 |
| POLY BOX + POLY SLEEVE | | | |
|  | 70° | Without hole | 514C7000 |
| | 70° | Ø 32 mm drill hole | 514C7M32 |
| Earth bar ref. : 51AA089 | 70° | Ø 40 mm drill hole | 514C7M40 |

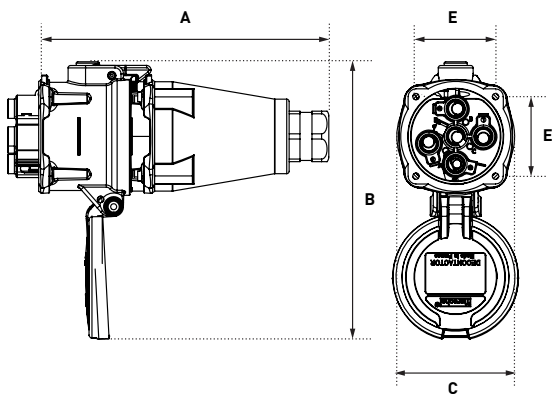
| METAL BOX (+ EARTHING WIRE) + POLY SLEEVE | | | |
|---|---------------|-----|----------|
|  | 30° | M25 | 514C3M25 |
| | 30° | M32 | 514C3M32 |
| | 30° | M40 | 514C3M40 |
| | 30° | M50 | 514C3M50 |
| METAL BOX (+ EARTHING WIRE) + METAL SLEEVE ● | | | |
|  | 30° | M25 | 594C3M25 |
| | 30° | M32 | 594C3M32 |
| | 30° | M40 | 594C3M40 |
| | 30° | M50 | 594C3M50 |
|  | 0° (Straight) | M25 | 594C0M25 |
| | 0° (Straight) | M32 | 594C0M32 |
| | 0° (Straight) | M40 | 594C0M40 |
| | 0° (Straight) | M50 | 594C0M50 |
|  | 70° | M25 | 594C7M25 |
| | 70° | M32 | 594C7M32 |
| | 70° | M40 | 594C7M40 |
| | 70° | M50 | 594C7M50 |

Cable glands are not delivered with the boxes.

| SLEEVE | △ x° | Reference | |
|---|---------------|-----------|---------|
| | | POLY | METAL ● |
|  | 0° (Straight) | / | 594M0 |
|  | 30° | 514M3 | 594M3 |
|  | 70° | 514M7 | 594M7 |

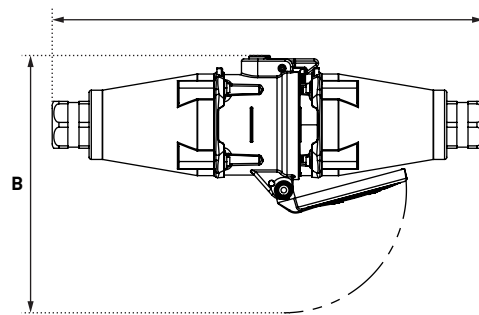
DRAWINGS AND DIMENSIONS

PLUG ON SOCKET-OUTLET



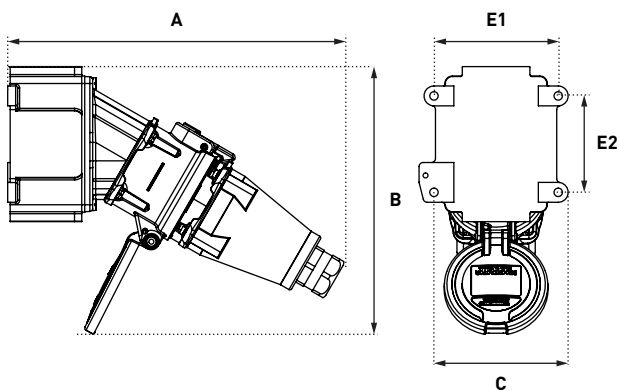
| A | B | C | E |
|-----|-----|----|----|
| 203 | 175 | 95 | 66 |

COUPLER



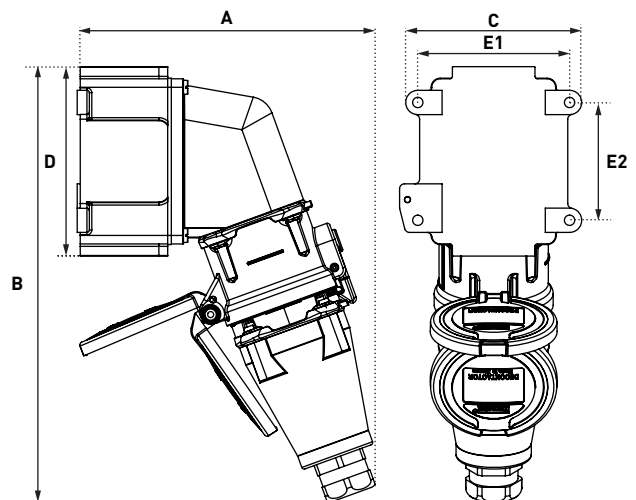
| A | B |
|-----|-----|
| 309 | 127 |

PLUG ON 30° WALL MOUNTED SOCKET OUTLET



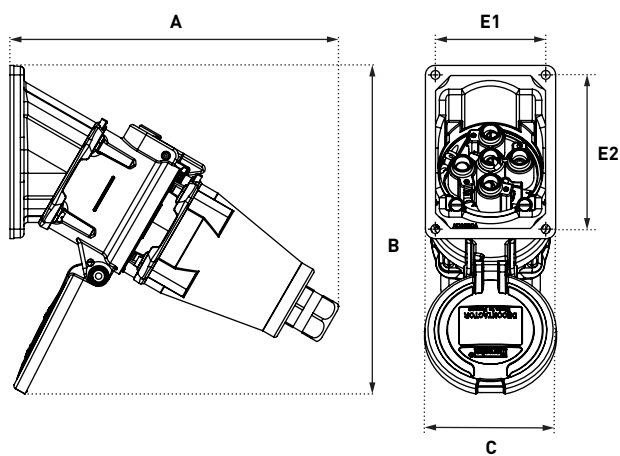
| A | B | C | E1 | E2 |
|-----|-----|-----|----|-----|
| 260 | 260 | 105 | 88 | 122 |

PLUG ON 70° WALL-MOUNTED SOCKET-OUTLET



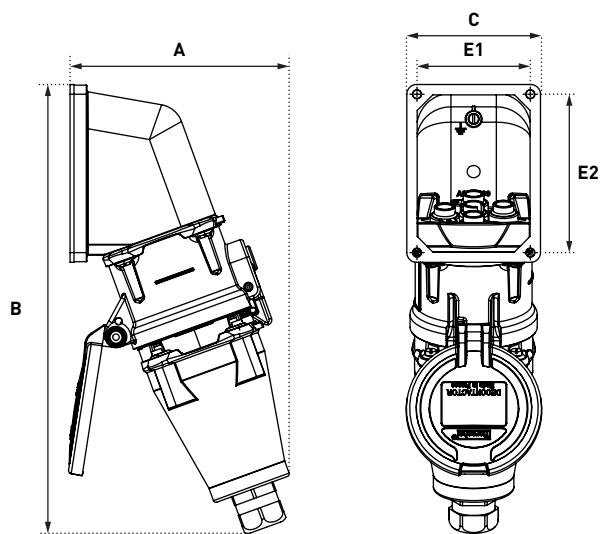
| A | B | C | D | E1 | E2 |
|-----|-----|-----|-----|-----|-----|
| 242 | 333 | 178 | 166 | 157 | 146 |

PLUG ON 30° INCLINED SOCKET-OUTLET

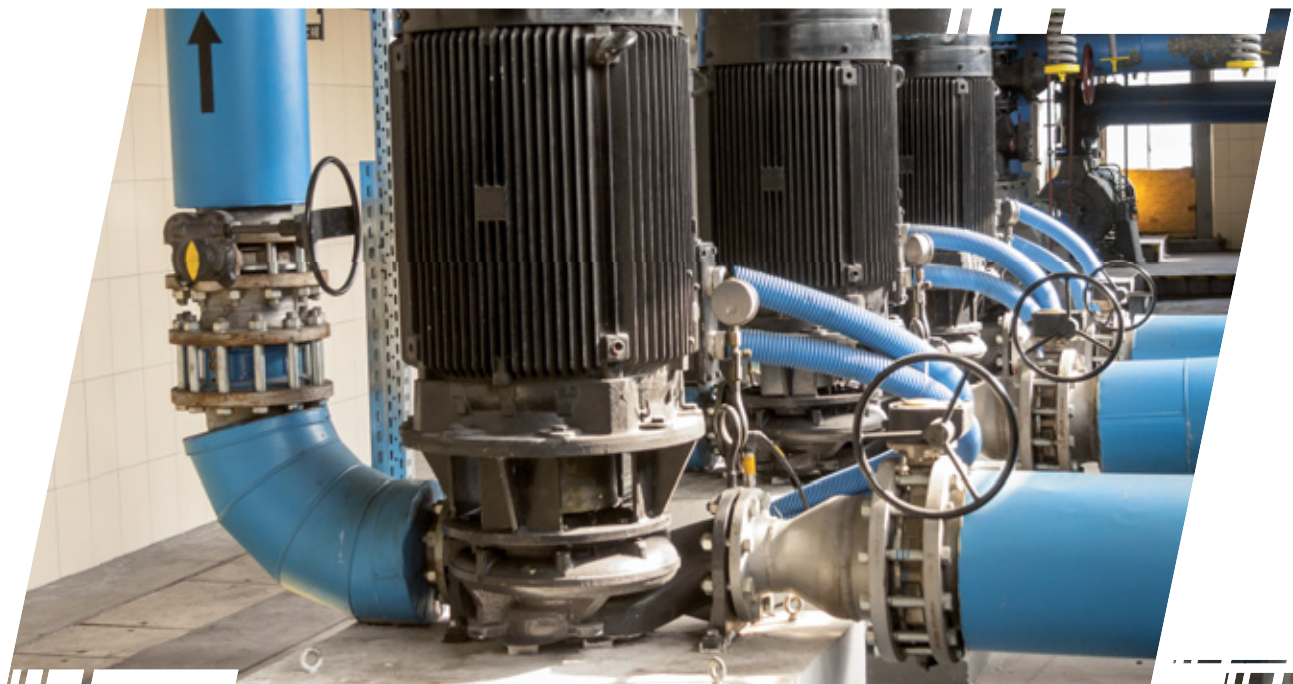


| A | B | C | D | E1 | E2 |
|-----|-----|-----|-----|----|-----|
| 279 | 257 | 102 | 136 | 88 | 122 |

PLUG ON 70° INCLINED SOCKET-OUTLET



| A | B | C | E1 | E2 |
|-----|-----|-----|----|----|
| 169 | 346 | 104 | 88 | 88 |



7 CONTACTS

100 A

500 V
U MAXI

CONNECTOR DS7C6



IP66
IP67



10-25 mm² (1)
10-35 mm² (2)



GRP
METAL



IK09



-40 °C
+60 °C



6 AUX.



EMC
METAL

(1) Flexible wiring (min.-max.).
(2) Stranded wiring (min.-max.).

OTHER FEATURES

| | |
|---|-------------------|
| Terminals wiring | screw-type |
| Stranded or flexible auxiliary wiring (min.-max.) | 2 mm ² |



Finger drawplates
included



SOCKET-OUTLET
female
DS7c6



INLET male
DS7c6



| | | | |
|--------------------------|--------------|------------|------------|
| 100 A/max 500 V AC | 6P+E | 3164561 | 3168561 |
| Auxiliaries 10A/500 V AC | + 2 contacts | Ref. + 262 | Ref. + 262 |
| Auxiliaries 10A/500 V AC | + 4 contacts | Ref. + 264 | Ref. + 264 |
| Auxiliaries 10A/500 V AC | + 6 contacts | Ref. + 976 | Ref. + 976 |






SOCKET-OUTLET
female
DS7c6









INLET male
DS7c6










| | | | |
|--------------------------|--------------|------------|------------|
| 100 A/max 500 V AC | 6P+E | 3964561 | 3968561 |
| Auxiliaries 10A/500 V AC | + 2 contacts | Ref. + 262 | Ref. + 262 |
| Auxiliaries 10A/500 V AC | + 4 contacts | Ref. + 264 | Ref. + 264 |
| Auxiliaries 10A/500 V AC | + 6 contacts | Ref. + 976 | Ref. + 976 |




| OPTIONS | Reference |
|--|-----------|
| LOCKING PIN FOR 2 PADLOCKS Ø 4 TO 8 mm (PADLOCKS NOT SUPPLIED) | |
|  Socket-outlet ref. +843 | |
| SAFETY HASP FOR UP TO 6 PADLOCKS | |
|  399A541 | |
| LARGER RELEASE BUTTON | |
|  Ref. socket +453 | |
| INLET CAP IP66/IP67 | |
|  316A426 | |
| IP40 SELF RETURNING LID (MANUAL CLOSING) | |
|  Ref. socket poly + R | |
| IP55 METAL LOCKABLE SELF-CLOSING LID FOR INLET | |
|  396A226 | |
| ELECTROMAGNETIC COMPATIBILITY (EMC) ● NEW | |
|  Please order a metal threaded accessory herewith, together with a EMC cable gland to be found on page 318. | |

| HANDLE | Input/ Cable outer Ø | Reference |
|---|-------------------------|-----------|
| ELASTOMER HANDLE WITH GLAND | | |
|  | 18-25 mm | 554P0D25L |
| | 25-35 mm | 554P0D35L |
| | 35-45 mm | 554P0D45L |
| | 45-49 mm | 554P0D49L |
| POLY HANDLE WITH GLAND | | |
|  | 13-35 mm | 514P0D35 |
| POLY HANDLE + POLY CABLE GLAND | | |
|  | 14-25 mm | 514P032P |
| | 18-32 mm | 514P040P |
| | 24-38 mm | 514P050P |
| POLY HANDLE (WITHOUT CABLE GLAND) | | |
|  | M32 | 514P0M32 |
| | M40 | 514P0M40 |
| | M50 | 514P0M50 |
| METAL HANDLE METRIC THREAD ENTRY (WITHOUT CABLE GLAND) ● | | |
|  | M25 | 594P0M25 |
| | M32 | 594P0M32 |
| | M40 | 594P0M40 |
| | M50 | 594P0M50 |

| HANDLE | Input/Cable outer Ø | Reference |
|---|---------------------|-----------|
| METAL HANDLE WITH METAL GLAND (+ EARTHING WIRE) ● | | |
|  | 8-16 mm | 594P025M |
| | 16-24 mm | 594P032M |
| | 22-32 mm | 594P040M |
| | 34-44 mm | 594P050M |

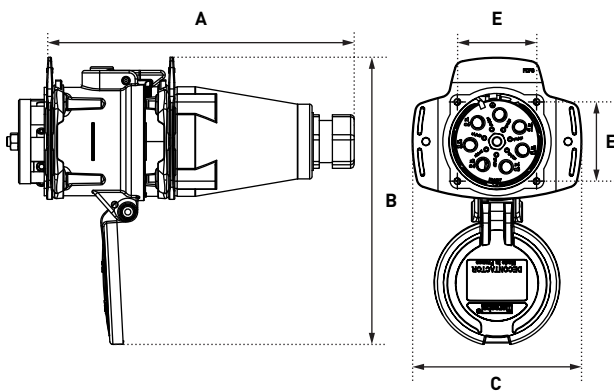
| BOXES | ∠ x° | Input | Reference |
|---|---------------|--------------------|-----------|
| POLY BOX | | | |
|  | 30° | M32 | 514B3M32 |
| | 30° | M40 | 514B3M40 |
| METAL BOX (+ EARTHING WIRE) ● | | | |
|  | 20° | M25 | 594B2M25 |
| | 20° | M32 | 594B2M32 |
| | 20° | M40 | 594B2M40 |
| POLY BOX + POLY SLEEVE | | | |
|  | 70° | Without hole | 514C7000 |
| | 70° | Ø 32 mm drill hole | 514C7M32 |
| Earth bar ref. : 51AA089 | 70° | Ø 40 mm drill hole | 514C7M40 |
| METAL BOX (+ EARTHING WIRE) + POLY SLEEVE | | | |
|  | 30° | M25 | 514C3M25 |
| | 30° | M32 | 514C3M32 |
| | 30° | M40 | 514C3M40 |
| | 30° | M50 | 514C3M50 |
| METAL BOX (+ EARTHING WIRE) + METAL SLEEVE ● | | | |
|  | 30° | M25 | 594C3M25 |
| | 30° | M32 | 594C3M32 |
| | 30° | M40 | 594C3M40 |
| | 30° | M50 | 594C3M50 |
|  | 0° (Straight) | M25 | 594C0M25 |
| | 0° (Straight) | M32 | 594C0M32 |
| | 0° (Straight) | M40 | 594C0M40 |
| | 0° (Straight) | M50 | 594C0M50 |
|  | 70° | M25 | 594C7M25 |
| | 70° | M32 | 594C7M32 |
| | 70° | M40 | 594C7M40 |
| | 70° | M50 | 594C7M50 |

Cable glands are not delivered with the boxes.

| SLEEVE | ∠ x° | Reference | |
|---|---------------|-----------|---------|
| | | POLY | METAL ● |
|  | 0° (Straight) | / | 594M0 |
|  | 30° | 514M3 | 594M3 |
|  | 70° | 514M7 | 594M7 |

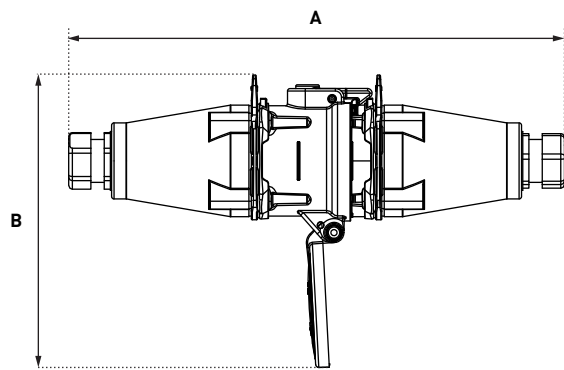
DRAWINGS AND DIMENSIONS

PLUG ON SOCKET-OUTLET



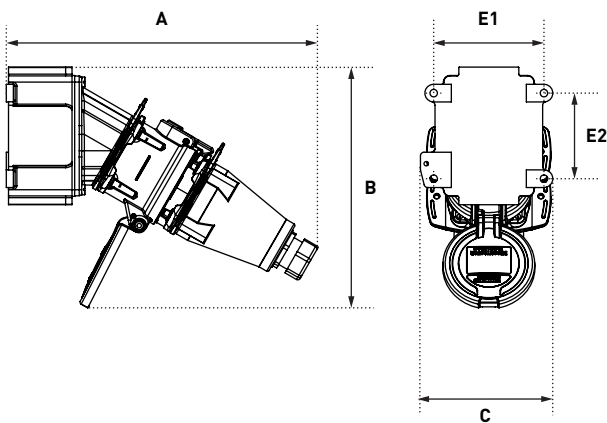
| A | B | C | E |
|-----|-----|-----|----|
| 257 | 238 | 141 | 66 |

COUPLER



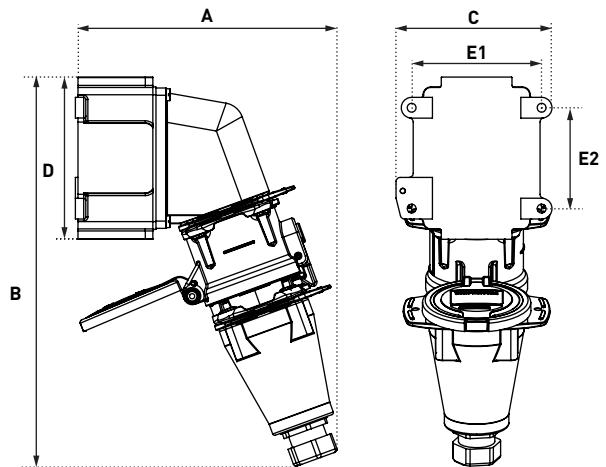
| A | B |
|-----|-----|
| 404 | 238 |

PLUG ON 30° WALL MOUNTED SOCKET OUTLET



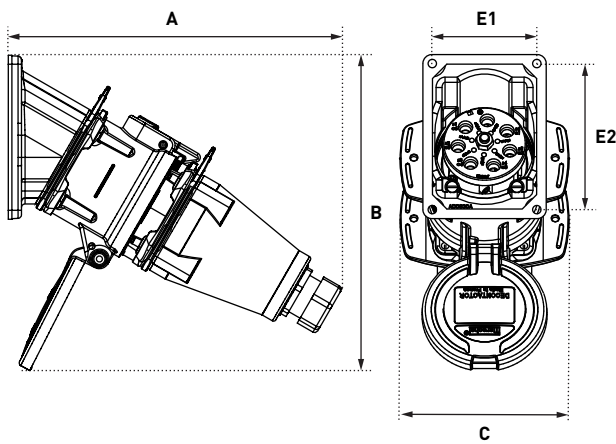
| A | B | C | E1 | E2 |
|-----|-----|-----|-----|----|
| 353 | 273 | 150 | 125 | 97 |

PLUG ON 70° WALL-MOUNTED SOCKET-OUTLET



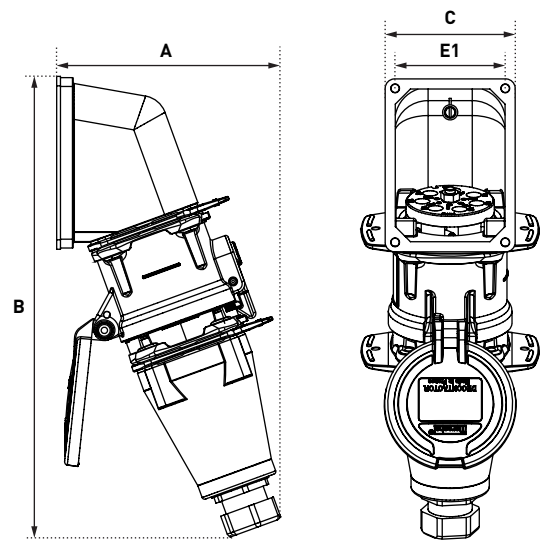
| A | B | C | D | E1 | E2 |
|-----|-----|-----|-----|-----|----|
| 252 | 374 | 145 | 156 | 125 | 97 |

PLUG ON 30° INCLINED SOCKET-OUTLET

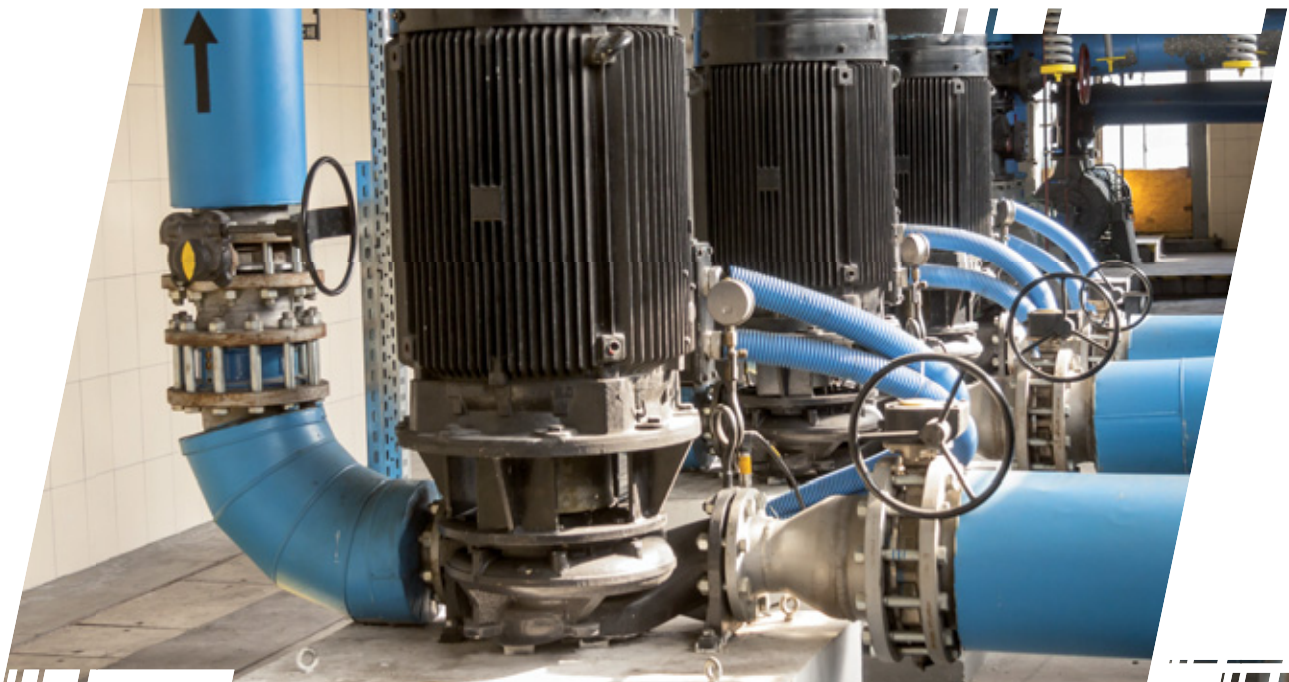


| A | B | C | E1 | E2 |
|-----|-----|-----|----|-----|
| 278 | 263 | 141 | 87 | 122 |

PLUG ON 70° INCLINED SOCKET-OUTLET



| A | B | C | E1 | E2 |
|-----|-----|-----|----|-----|
| 177 | 365 | 141 | 87 | 122 |



9 CONTACTS

30 A

415 V
U_{MAXI}

MULTICONTACTS CONNECTORS DN9C



IP54
IP55



1-6 mm² ⁽¹⁾
1,5-10 mm² ⁽²⁾



METAL



IK09



-40 °C
+60 °C



EMC

⁽¹⁾ Flexible wiring (min.-max.).
⁽²⁾ Stranded wiring (min.-max.).

OTHER FEATURES

| | |
|------------------------------|------------|
| IP protection plug connected | IP54 |
| IP protection lid closed | IP55 |
| ∑ of currents (contacts) | ≤ 210 A |
| Terminals wiring | screw-type |

SOCKET-OUTLET
female
DN9c



INLET male
DN9c



415 V AC






8P+E


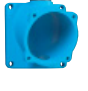





1914081

1918081




► The contacts can be assigned either power or signal.

| OPTIONS | Reference |
|---|--|
| LOCKING PIN FOR 3 PADLOCKS Ø 4 TO 8 mm (PADLOCKS NOT SUPPLIED) | |
|  | Ref. + 844 |
| LARGER RELEASE BUTTON | |
|  | Ref. socket + 453 |
| INLET CAP | |
|  | 191A126 |
| 180° OPENING LID | |
|  | Ref. socket + 10 |
| IP40 SELF RETURNING LID (MANUAL CLOSING) | |
|  | Socket-outlet ref.+R |
| 180° OPENING + SELF-RETURNING LID | |
|  | Ref. socket + 18 |
| IP66/IP67 SOCKET-OUTLET AND INLET | |
|  | Ref. + 600 |
| ELECTROMAGNETIC COMPATIBILITY (EMC) ● | NEW |
|  | Please order a metal threaded accessory herewith, together with a EMC cable gland to be found on page 318. |
| PRODUCT WITH ANTI-BACTERIAL TREATMENT ● | NEW |
| | This sticker means that the product is also available with an antibacterial treatment. Add the suffix AG to the reference. For more information on anti-bacterial treated handles please consult us. |

| HANDLE | Input/ Cable outer Ø | Ref. |
|---|-------------------------|----------|
| POLY HANDLE WITH GLAND ● | | |
|  | 10-30 mm | 513P0D30 |
| POLY HANDLE + POLY CABLE GLAND ● | | |
|  | 9-18 mm | 513P025P |
| | 14-25 mm | 513P032P |
| | 18-32 mm | 513P040P |
| METAL HANDLE WITH METAL GLAND (+ EARTHING WIRE) | | |
|  | 7-13 mm | 593P020M |
| | 8-16 mm | 593P025M |
| | 16-24 mm | 593P032M |
| | 22-32 mm | 593P040M |
| POLY HANDLE (WITHOUT CABLE GLAND) | | |
|  | M20 | 513P0M20 |
| | M25 | 513P0M25 |
| | M32 | 513P0M32 |
| | M40 | 513P0M40 |
| METAL HANDLE METRIC THREAD ENTRY (WITHOUT CABLE GLAND) ● | | |
|  | M20 | 593P0M20 |
| | M25 | 593P0M25 |
| | M32 | 593P0M32 |
| | M40 | 593P0M40 |

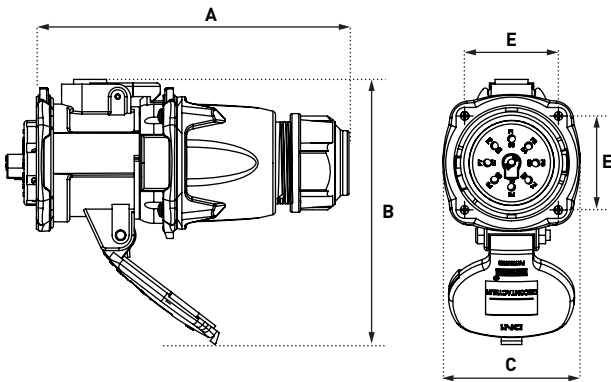
| BOÎTIERS | ∠x° | Input | Ref. |
|---|---------------|--------------------|----------|
| POLY BOX | | | |
|  | 30° | M25 | 513B3M25 |
| METAL BOX (+ EARTHING WIRE) ● | | | |
|  | 20° | M20 | 593B2M20 |
| | 20° | M25 | 593B2M25 |
| | 20° | M32 | 593B2M32 |
| POLY BOX + POLY SLEEVE | | | |
|  | 70° | Without hole | 513C7000 |
| | 70° | Ø 25 mm drill hole | 513C7M25 |
| | 70° | Ø 32 mm drill hole | 513C7M32 |
| | 70° | Ø 40 mm drill hole | 513C7M40 |
| METAL BOX (+ EARTHING WIRE) + POLY SLEEVE | | | |
|  | 30° | M20 | 513C3M20 |
| | 30° | M25 | 513C3M25 |
| | 30° | M32 | 513C3M32 |
| | 30° | M40 | 513C3M40 |
| METAL BOX (+ EARTHING WIRE) + METAL SLEEVE ● | | | |
|  | 30° | M20 | 593C3M20 |
| | 30° | M25 | 593C3M25 |
| | 30° | M32 | 593C3M32 |
| | 30° | M40 | 593C3M40 |
|  | 0° (Straight) | M20 | 593C0M20 |
| | 0° (Straight) | M25 | 593C0M25 |
| | 0° (Straight) | M32 | 593C0M32 |
| | 0° (Straight) | M40 | 593C0M40 |
|  | 70° | M20 | 593C7M20 |
| | 70° | M25 | 593C7M25 |
| | 70° | M32 | 593C7M32 |
| | 70° | M40 | 593C7M40 |

Cable glands are not delivered with the boxes.

| SLEEVE | ∠x° | Ref. |
|---|---------------|-------|
| POLY SLEEVE | | |
|  | 30° | 513M3 |
|  | 70° | 513M7 |
| METAL SLEEVE ● | | |
|  | 0° (Straight) | 593M0 |
|  | 30° | 593M3 |
|  | 70° | 593M7 |

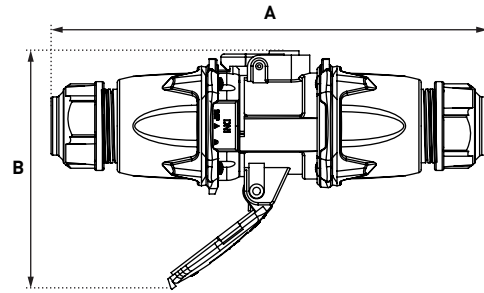
DRAWINGS AND DIMENSIONS

PLUG ON SOCKET-OUTLET



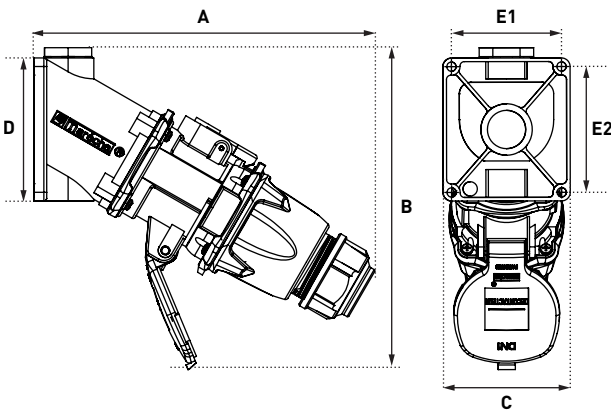
| A | B | C | E |
|-----|-----|----|----|
| 184 | 156 | 80 | 55 |

COUPLER



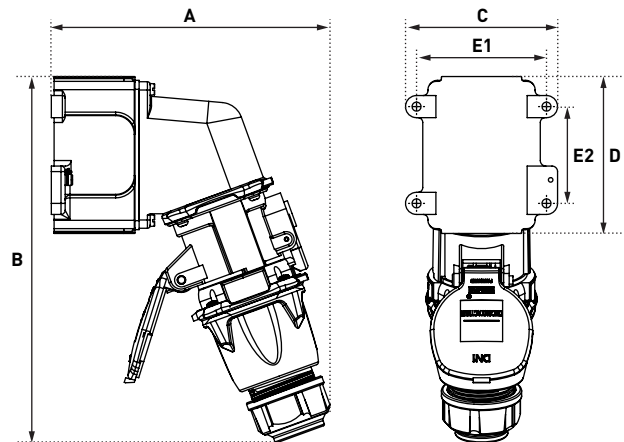
| A | B |
|-----|-----|
| 285 | 156 |

PLUG ON 30° WALL MOUNTED SOCKET OUTLET



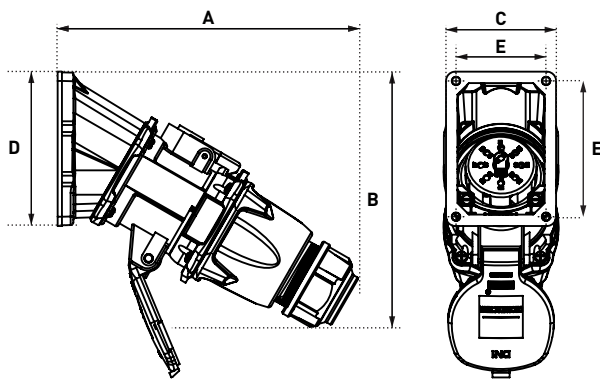
| A | B | C | D | E1 | E2 |
|-----|-----|----|-----|----|----|
| 239 | 218 | 89 | 100 | 77 | 88 |

PLUG ON 70° WALL-MOUNTED SOCKET-OUTLET

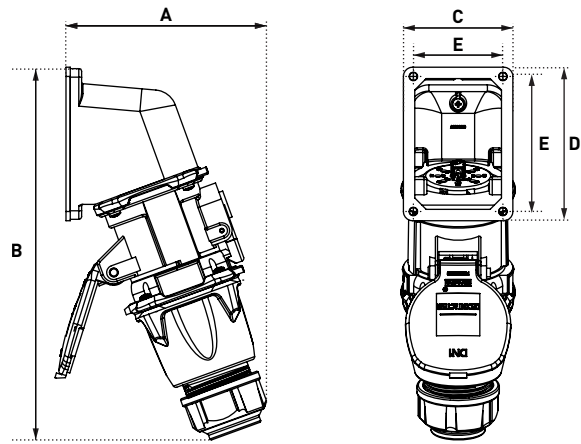


| A | B | C | D | E1 | E2 |
|-----|-----|-----|-----|----|----|
| 200 | 265 | 110 | 114 | 94 | 70 |

PLUG ON 30° INCLINED SOCKET-OUTLET



PLUG ON 70° INCLINED SOCKET-OUTLET



| A | B | C | D | E1 | E2 |
|-----|-----|----|-----|----|----|
| 210 | 176 | 77 | 108 | 63 | 95 |

| A | B | C | D | E1 | E2 |
|-----|-----|----|-----|----|----|
| 141 | 262 | 77 | 108 | 63 | 95 |



12 CONTACTS

16 A

480 V
U_{MAXI}

MULTICONTACT CONNECTORS PN12C



IP66
IP67



1-2,5 mm² (1)



GRP
METAL



IK09



-40 °C
+60 °C



EMC
METAL

(1) Flexible wiring (min.-max.).

OTHER FEATURES

| | |
|---------------------------|---|
| Impulse withstand voltage | 5 kV |
| Contact resistance | < 2 mΩ |
| Permitted current range | 4-20 mA/16 A |
| ∑ of currents (contacts) | ≤ 110 A |
| Terminals wiring | To weld/crimp |
| Butt contacts | Silver-nickel tips |
| Contact protection | Silvering |
| Load cycles | > 5000 cycles |
| Vibrations | Frequency 5-1000 Hz, 1g/(90 minutes on each critical frequency) according to IEC 6068-2-6 |



For a black colour GRP housing replace the second reference character with 5 (GRP version only).

SOCKET-OUTLET

female
PN12C



INLET male
PN12C



GRP devices are not compatible with metal devices.

| | | | | |
|-------|----------|-------------|---------|---------|
| POLY | 480 V AC | 12 contacts | 01A4001 | 01A8001 |
| METAL | 480 V AC | 12 contacts | 09A4001 | 09A8001 |

► Each product is supplied with 1 bag of 13 contacts, supplied with insulation sleeves and ferrules (see p.142 or the accessories page for more details).

| OPTIONS | Reference |
|--|---------------------------------------|
| LOCKING OPTION FOR 1 PADLOCKS Ø 4mm (PADLOCK NOT SUPPLIED) | |
|  | Ref. + 843 |
| SCREW LOCKING IMPRINT BTR 2,5 | |
|  | Ref. + 22 |
| INLET CAP IP66/IP67 | |
|  | 01NA426 |
| REVERSED INTERIOR AND CONTACTS | |
|  The connector is supplied with a rubber inlet cap. | Ref. conn. + 001 Ref. socket + 001 |
| 180° OPENING LID | |
|  | Ref. socket + 10 |
| IP40 SELF RETURNING LID (MANUAL CLOSING) | |
|  | Socket-outlet ref.+R |
| 180° OPENING + SELF-RETURNING LID | |
|  | Ref. socket + 18 |

ELECTROMAGNETIC COMPATIBILITY (EMC)

NEW



Please order a metal threaded accessory herewith, together with a EMC cable gland to be found on page 318.

BAG OF 13 FEMALES CONTACTS

01AA213

BAG OF 13 MALES CONTACTS

01AA113






PRODUCTS AVAILABLE IN BLACK



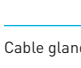
The black dot means these products are also available in black color. Replace the second character of the product reference with 5

PRODUCT WITH ANTI-BACTERIAL TREATMENT
















NEW

This sticker means that the product is also available with an antibacterial treatment. Add the suffix AG to the reference. For more information on anti-bacterial treated handles please consult us.

| SLEEVE | Reference |
|---|-----------|
| POLY SLEEVE | |
|  30° | 511M3 |
|  70° | 511M7 |
| METAL SLEEVE | |
|  0° (Straight) | 591M0 |
|  30° | 591M3 |
|  45° | 591M4 |

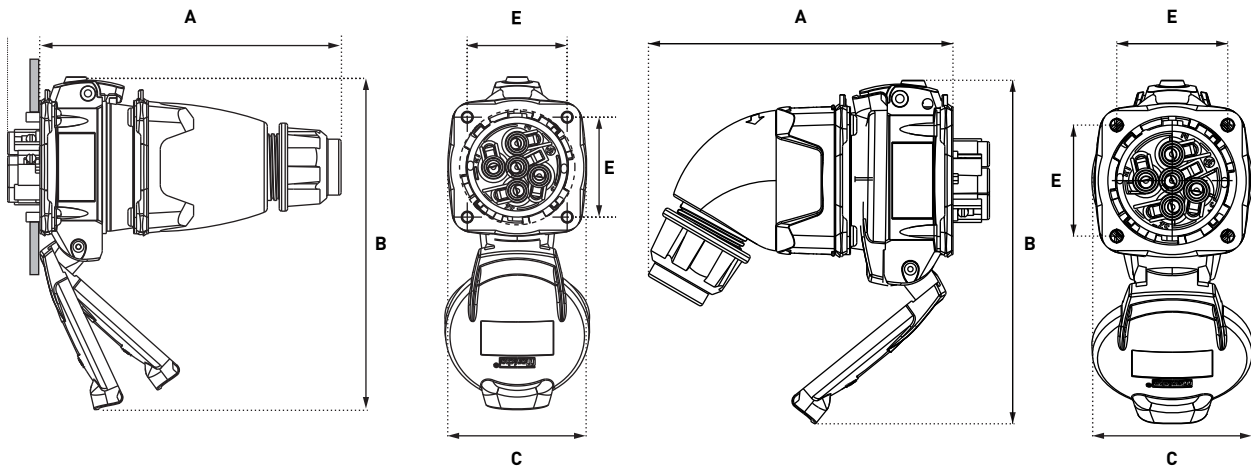
| BOXES | Input | Ref. |
|--|-------|----------|
| POLY BOX | | |
|  0° (Straight) | M20 | 511B0M20 |
|  0° (Straight) | M25 | 511B0M25 |
|  30° | M20 | 511B3M20 |
|  30° | M25 | 511B3M25 |
| POLY BOX + POLY SLEEVE | | |
|  70° Without hole | | 511C7000 |
|  70° Hole Ø 20 | | 511C7M20 |
|  70° Hole Ø 25 | | 511C7M25 |
|  70° Hole Ø 32 | | 511C7M32 |
| Earth bar ref. : 51AA089 | | |
| METAL BOX (+ EARTHING WIRE) + POLY SLEEVE | | |
|  30° | M20 | 511C3M20 |
| METAL BOX (+ EARTHING WIRE) + METAL SLEEVE | | |
|  45° | M20 | 591C4M20 |
|  45° | M25 | 591C4M25 |
|  45° | M32 | 591C4M32 |

Cable glands are not delivered with the boxes.

| HANDLE | Input/ Cable outer Ø | Ref. |
|---|-------------------------|----------|
| POLY HANDLE WITH GLAND | | |
|  9-18 mm | | 511P0D18 |
|  5-21 mm | | 511P0D21 |
|  60° 9-18 mm | | 511P6D18 |
| POLY HANDLE + POLY CABLE GLAND | | |
|  5-12 mm | | 511P020P |
|  9-18 mm | | 511P025P |
|  14-25 mm | | 511P032P |
| METAL HANDLE WITH METAL GLAND (+ EARTHING WIRE) | | |
|  7-13 mm | | 591P020M |
|  8-16 mm | | 591P025M |
|  16-24 mm | | 591P032M |
| POLY HANDLE (WITHOUT CABLE GLAND) | | |
|  M20 | | 511P0M20 |
|  M25 | | 511P0M25 |
|  M32 | | 511P0M32 |
| METAL HANDLE METRIC THREAD ENTRY (WITHOUT CABLE GLAND) | | |
|  M20 | | 591P0M20 |
|  M25 | | 591P0M25 |
|  M32 | | 591P0M32 |

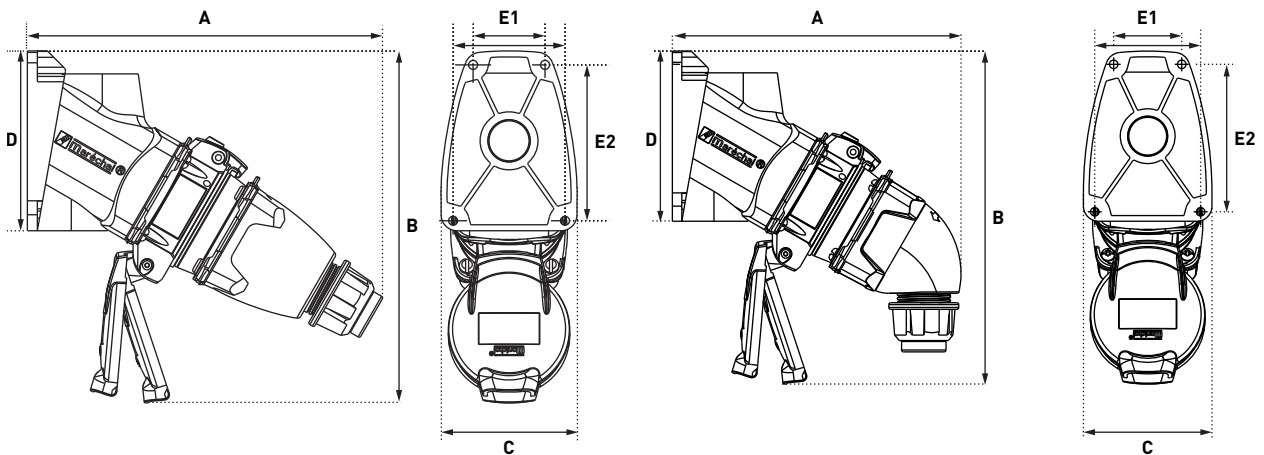
DRAWINGS AND DIMENSIONS

PLUG ON SOCKET-OUTLET



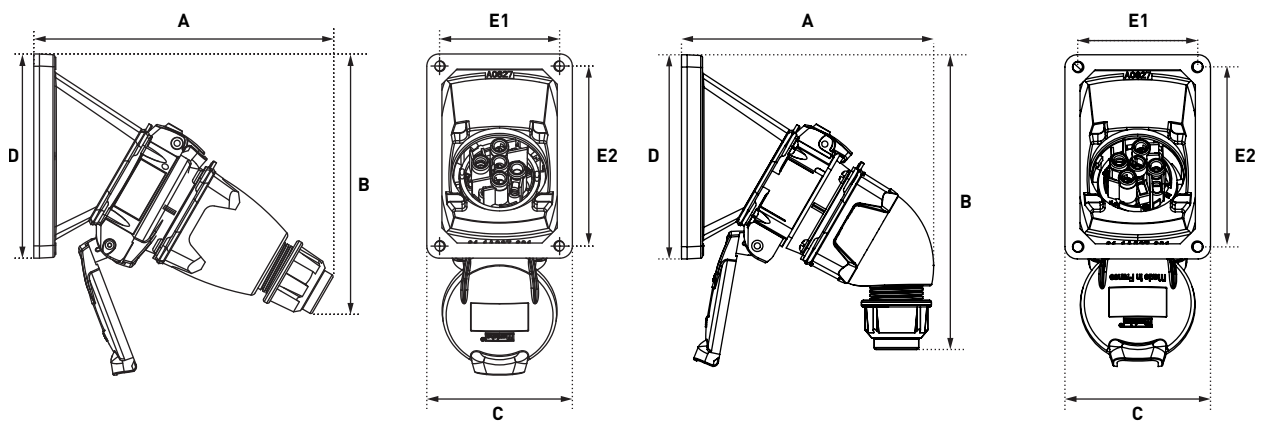
| | A | B | C | E |
|------------------------|-----|-----|----|----|
| Straight handle | 127 | 140 | 58 | 42 |
| Angled handle | 117 | 138 | 61 | 42 |

PLUG ON 30° WALL MOUNTED SOCKET OUTLET



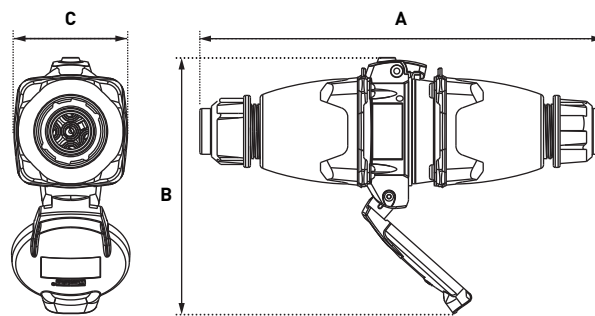
| | A | B | B | D | E1 | E2 |
|------------------------|-----|-----|----|----|-------|----|
| Straight handle | 178 | 176 | 68 | 90 | 36/56 | 78 |
| Angled handle | 153 | 176 | 68 | 90 | 36/56 | 78 |

PLUG ON 30° INCLINED SOCKET-OUTLET



| | A | B | C | D | E1 | E2 |
|------------------------|-----|-----|----|-----|----|----|
| Straight handle | 160 | 170 | 77 | 108 | 63 | 95 |
| Angled handle | 133 | 165 | 77 | 108 | 63 | 95 |

COUPLER



| | A | B | C |
|------------------------|-----|-----|----|
| Straight handle | 208 | 132 | 58 |

12 CONTACTS

16 A

480 V
U_{MAXI}

MULTICONTACT CONNECTORS DSN12C



IP66
IP67
IP69



1-2,5 mm² (1)



GRP



IK09



-40 °C
+60 °C

(1) Flexible wiring (min.-max.).

OTHER FEATURES

| | |
|---------------------------|---|
| Impulse withstand voltage | 5 kV |
| Contact resistance | < 2 mΩ |
| Permitted current range | 4-20 mA/16 A |
| ∑ des courants (contacts) | ≤ 110 A |
| Terminals wiring | To weld/crimp |
| Butt contacts | Silver-nickel tips |
| Contact protection | Silvering |
| Load cycles | > 5000 cycles |
| Vibrations | Frequency 5-1000 Hz, 1g/(90 minutes on each critical frequency) according to IEC 6068-2-6 |

SOCKET-OUTLET

female
DSN12C



INLET male
DSN12C



For a black colour housing replace the second reference character with 5.









480 V AC

12 contacts

61A4001

61A8001





► Each product is supplied with 1 bag of 13 contacts, supplied with insulation sleeves and ferrules (voir p. 142 or the accessories page for more details).

| OPTIONS | Reference |
|---|----------------------|
| LOCKING PIN FOR 2 PADLOCKS Ø 4 TO 8 mm (PADLOCK NOT SUPPLIED) | |
|  | Ref. + 843 |
| LARGER RELEASE BUTTON | |
|  | Ref. socket + 453 |
| IN-LINE CONNECTIONS (A PAIR OF FINGER DRAW PLATES TO AID CLOSING) | |
|  | 611A346 |
| INLET CAP IP66/IP67 | |
|  | 611A426 |
| IP40 SELF RETURNING LID (MANUAL CLOSING) | |
|  | Socket-outlet ref.+R |
| SELF-EJECTION | |
|  | See page 192 |
| BAG OF 13 FEMALES CONTACTS | |
|  | 01AA213 |
| BAG OF 13 MALES CONTACTS | |
|  | 01AA113 |
| PRODUCTS AVAILABLE IN BLACK ● | |

The black dot means these products are also available in black color. Replace the second character of the product reference with 5

PRODUCT WITH ANTI-BACTERIAL TREATMENT ● NEW

This sticker means that the product is also available with an antibacterial treatment. Add the suffix AG to the reference. For more information on anti-bacterial treated handles please consult us.

| SLEEVE | Reference |
|---|---------------------|
| POLY SLEEVE ● | |
|  | 30° 511M3 |
|  | 70° 511M7 |
| METAL SLEEVE | |
|  | 0° (Straight) 591M0 |
|  | 30° 591M3 |

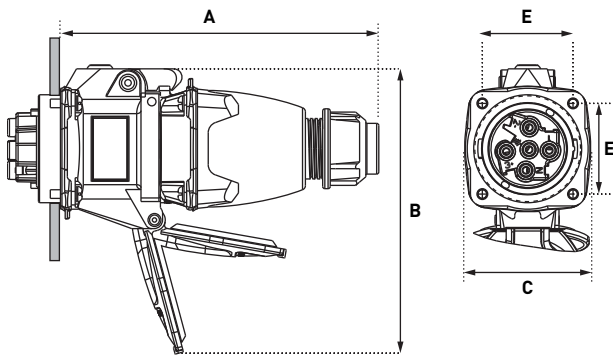
| BOXES | Input | Reference |
|---|------------------|-----------|
| POLY BOX ● | | |
|  | 30° M20 | 511B3M20 |
| | 30° M25 | 511B3M25 |
| POLY BOX + POLY SLEEVE (BLACK VERSION SEE ACCESSORIES DXN1 PAGE 239) | | |
| | 70° Without hole | 511C7000 |
|  | 70° Hole Ø 20 | 511C7M20 |
| Earth bar ref. : 51AA089 | 70° Hole Ø 25 | 511C7M25 |
| | 70° Hole Ø 32 | 511C7M32 |
| METAL BOX (+ EARTHING WIRE) + POLY SLEEVE | | |
|  | 30° M20 | 511C3M20 |

Cable glands are not delivered with the boxes.

| HANDLE | Input/ Cable outer Ø | Reference | Self-ejection |
|---|-------------------------|-----------|----------------------|
| POLY HANDLE WITH GLAND ●● | | | |
|  | 9-18 mm | 511P0D18 | / |
|  | 5-21 mm | 511P0D21 | / |
|  | 60° 9-18 mm | 511P6D18 | / |
| POLY HANDLE + POLY CABLE GLAND ●● | | | |
| | 5-12 mm | 511P020P | Ref. +443 (10-14 mm) |
|  | 9-18 mm | 511P025P | Ref. +443 (12-18 mm) |
| | 14-25 mm | 511P032P | Ref. +443 |
| POLY HANDLE (WITHOUT CABLE GLAND) ● | | | |
| | M20 | 511P0M20 | / |
|  | M25 | 511P0M25 | / |
| | M32 | 511P0M32 | / |

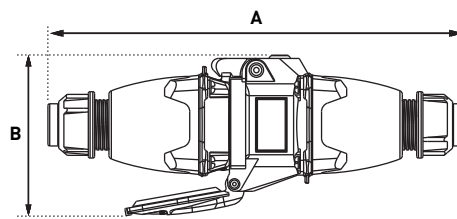
DRAWINGS AND DIMENSIONS

PLUG ON SOCKET-OUTLET



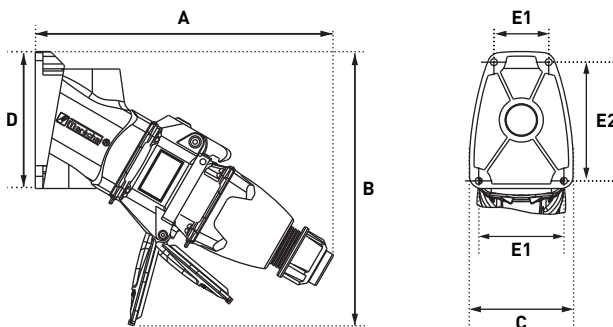
| A | B | C | E |
|-----|-----|----|----|
| 147 | 134 | 58 | 42 |

COUPLER



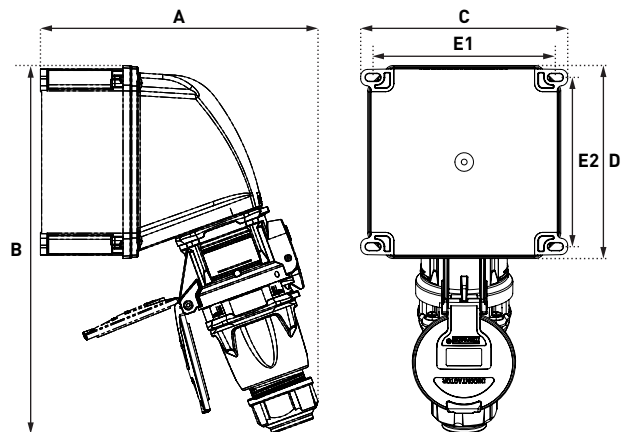
| A | B |
|-----|----|
| 231 | 89 |

PLUG ON 30° WALL MOUNTED SOCKET OUTLET



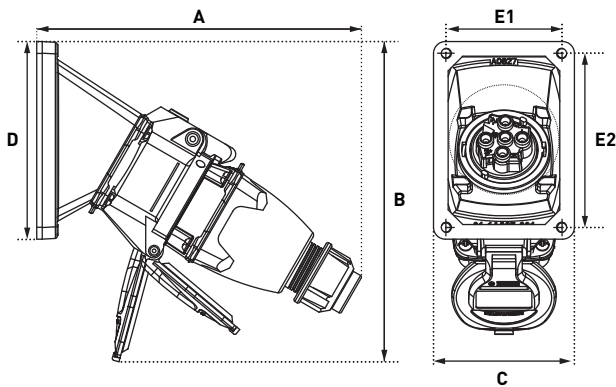
| A | B | C | D | E1 | E2 |
|-----|-----|----|----|-------|----|
| 196 | 180 | 68 | 90 | 36/56 | 78 |

PLUG ON 70° WALL-MOUNTED SOCKET-OUTLET

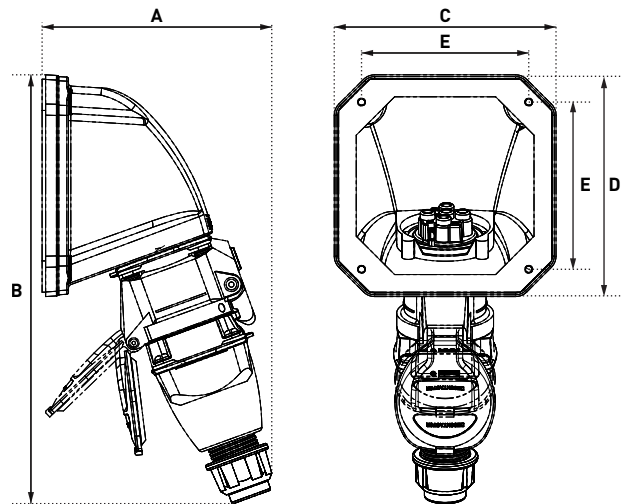


| A | B | C | D | E1 | E2 |
|-----|-----|-----|-----|-----|-------|
| 200 | 244 | 138 | 126 | 117 | 105.5 |

PLUG ON 30° INCLINED SOCKET-OUTLET

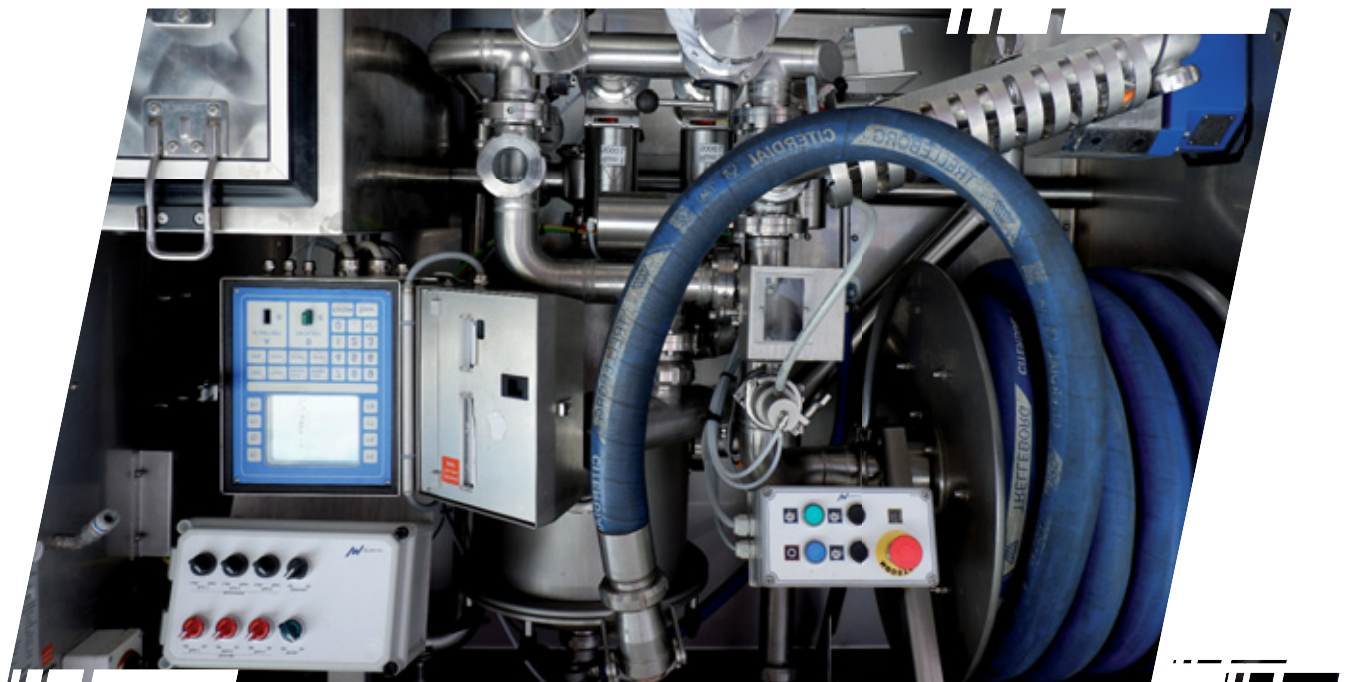


PLUG ON 70° INCLINED SOCKET-OUTLET



| A | B | C | D | E1 | E2 |
|-----|-----|----|-----|------|----|
| 177 | 175 | 77 | 108 | 63.5 | 95 |

| A | B | C | D | E |
|-----|-----|-----|-----|----|
| 131 | 244 | 126 | 126 | 95 |



20 CONTACTS

25 A

415 V
U_{MAXI}

MULTICONTACT CONNECTORS DN20C



IP54
IP55



1-6 mm² ⁽¹⁾
1,5-10 mm² ⁽²⁾



METAL



IK09



-40 °C
+60 °C



EMC

[1] Flexible wiring (min.-max.).
[2] Stranded wiring (min.-max.).

OTHER FEATURES

| | |
|------------------------------|------------|
| IP protection plug connected | IP54 |
| IP protection lid closed | IP55 |
| ∑ of currents (contacts) | ≤ 350 A |
| Terminals wiring | screw-type |

SOCKET-OUTLET
female
DN20c (25 A)



INLET male
DN20c (25 A)



415 V AC


19P+E


1964191

1968191



| OPTIONS | Reference |
|---|--|
| LOCKING PIN FOR 3 PADLOCKS Ø 8 mm (PADLOCKS NOT SUPPLIED) | |
|  | Ref. + 844 |
| LARGER RELEASE BUTTON | |
|  | Ref. socket + 453 |
| INLET CAP | |
|  | 196A126 |
| 180° OPENING LID | |
|  | Ref. socket + 10 |
| IP40 SELF RETURNING LID (MANUAL CLOSING) | |
|  | Socket-outlet ref.+R |
| 180° OPENING + SELF-RETURNING LID | |
|  | Ref. socket + 18 |
| CLOSING MECHANISM | |
|  | Draw lever only 196A376 Draw plate only 196A396 |
| IP66/IP67 SOCKET-OUTLET AND INLET | |
|  | Ref. + 600 |
| ELECTROMAGNETIC COMPATIBILITY (EMC) ● | NEW |
|  | Please order a metal threaded accessory herewith, together with a EMC cable gland to be found on page 318. |
| PRODUCT WITH ANTI-BACTERIAL TREATMENT ● | NEW |
| | This sticker means that the product is also available with an antibacterial treatment. Add the suffix AG to the reference. For more information on anti-bacterial treated handles please consult us. |

| HANDLE | Input/ Cable outer Ø | Reference |
|---|-------------------------|-----------|
| ELASTOMER HANDLE WITH GLAND | | |
|  | 18-25 mm | 555P0D25 |
| | 25-35 mm | 555P0D35 |
| | 35-45 mm | 555P0D45 |
| | 45-49 mm | 555P0D49 |
| POLY HANDLE + POLY CABLE GLAND ● | | |
|  | 14-25 mm | 515P032P |
| | 18-32 mm | 515P040P |
| | 24-38 mm | 515P050P |
| | 35-48 mm | 515P063P |
| METAL HANDLE WITH METAL GLAND (+ EARTHING WIRE) | | |
|  | 16-24 mm | 595P032M |
| | 22-32 mm | 595P040M |
| | 34-44 mm | 595P050M |
| | 35-48 mm | 595P063M |
| POLY HANDLE (WITHOUT CABLE GLAND) | | |
|  | M50 | 515P0M50 |
| | M63 | 515P0M63 |



| HANDLE | Input/ Cable outer Ø | Reference |
|---|-------------------------|-----------|
| METAL HANDLE METRIC THREAD ENTRY (WITHOUT CABLE GLAND) ● | | |
|  | M32 | 595P0M32 |
| | M40 | 595P0M40 |
| | M50 | 595P0M50 |
| | M63 | 595P0M63 |

| BOXES | ∠x° | Input | Reference |
|---|-----|-------|-----------|
| METAL BOX (+ EARTHING WIRE) + POLY SLEEVE | | | |
|  | 30° | M32 | 515C3M32 |
| | 30° | M40 | 515C3M40 |
| | 30° | M50 | 515C3M50 |
| | 30° | M63 | 515C3M63 |

| BOXES | ∠x° | Input | Reference |
|---|---------------|-------|-----------|
| METAL BOX (+ EARTHING WIRE) + METAL SLEEVE ● | | | |
|  | 30° | M32 | 595C3M32 |
| | 30° | M40 | 595C3M40 |
| | 30° | M50 | 595C3M50 |
| | 30° | M63 | 595C3M63 |
|  | 0° (Straight) | M32 | 595C0M32 |
| | 0° (Straight) | M40 | 595C0M40 |
| | 0° (Straight) | M50 | 595C0M50 |
| | 0° (Straight) | M63 | 595C0M63 |
|  | 70° | M32 | 595C7M32 |
| | 70° | M40 | 595C7M40 |
| | 70° | M50 | 595C7M50 |
| | 70° | M63 | 595C7M63 |

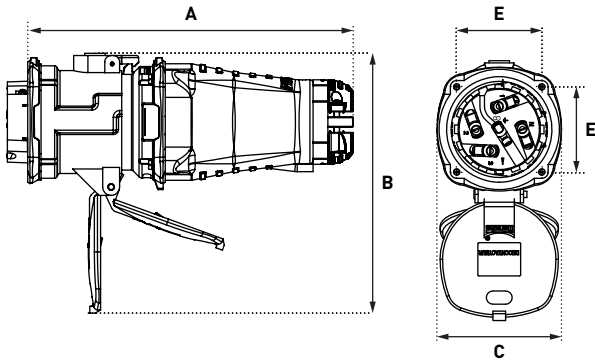
| BOXES | ∠x° | Input | Reference |
|---|---------------|-------|-----------|
| METAL BOX (+ EARTHING WIRE) + METAL SLEEVE + CORNET ● | | | |
|  | 0° (Straight) | M50 | 595E0M50 |
| | 30° | M50 | 595E3M50 |
| | 30° | M63 | 595E3M63 |
|  | 70° | M50 | 595E7M50 |
| | 70° | M63 | 595E7M63 |

Cable glands are not delivered with the boxes.

| SLEEVE | ∠x° | Reference |
|---|---------------|-----------|
| POLY SLEEVE | | |
|  | 30° | 515M3 |
| METAL SLEEVE ● | | |
|  | 0° (Straight) | 595M0 |
| | 30° | 595M3 |
| | 70° | 595M7 |

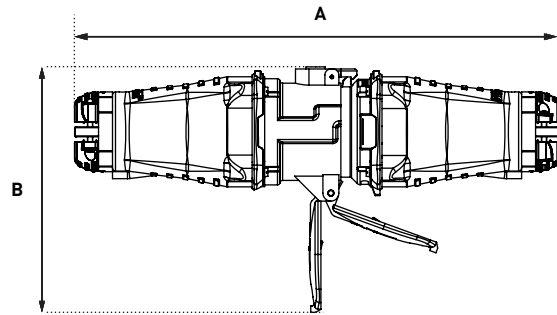
DRAWINGS AND DIMENSIONS

PLUG ON SOCKET-OUTLET



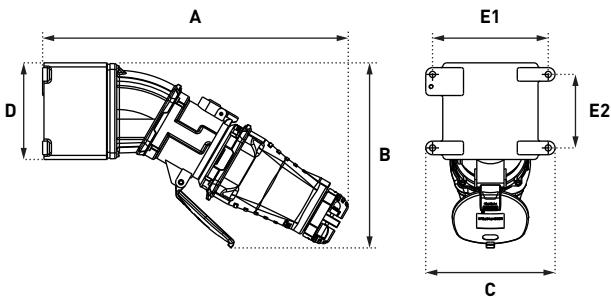
| A | B | C | E |
|-----|-----|-----|----|
| 308 | 246 | 118 | 81 |

COUPLER



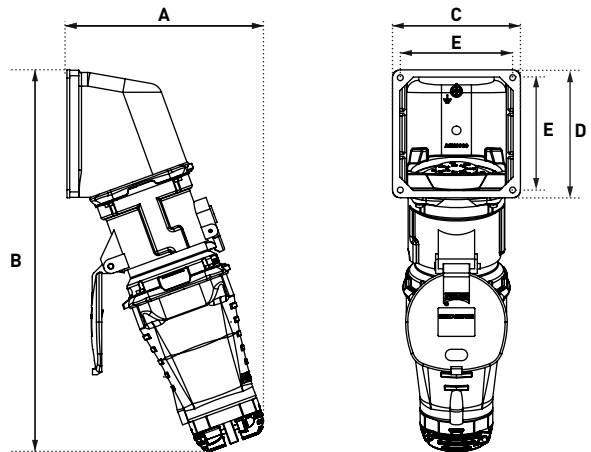
| A | B |
|-----|-----|
| 486 | 246 |

PLUG ON 30° WALL MOUNTED SOCKET OUTLET



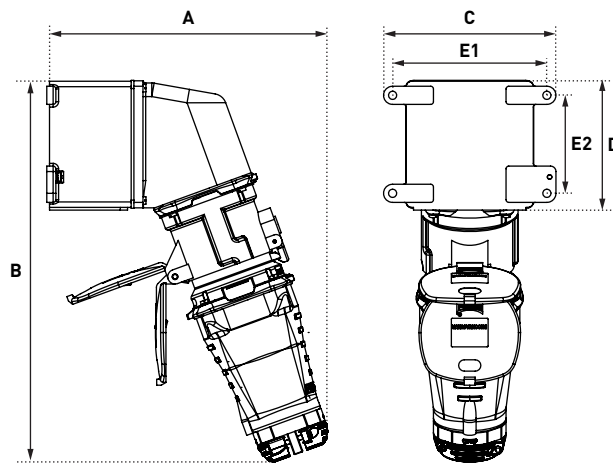
| A | B | C | E1 | E2 |
|-----|-----|-----|-----|-----|
| 449 | 272 | 190 | 170 | 108 |

PLUG ON 70° INCLINED SOCKET OUTLET



| A | B | C | D | E |
|-----|-----|-----|-----|-----|
| 217 | 421 | 141 | 141 | 124 |

PLUG ON 70° WALL MOUNTED SOCKET OUTLET



| A | B | C | D | E1 | E2 |
|-----|-----|-----|-----|-----|-----|
| 309 | 419 | 190 | 142 | 170 | 108 |

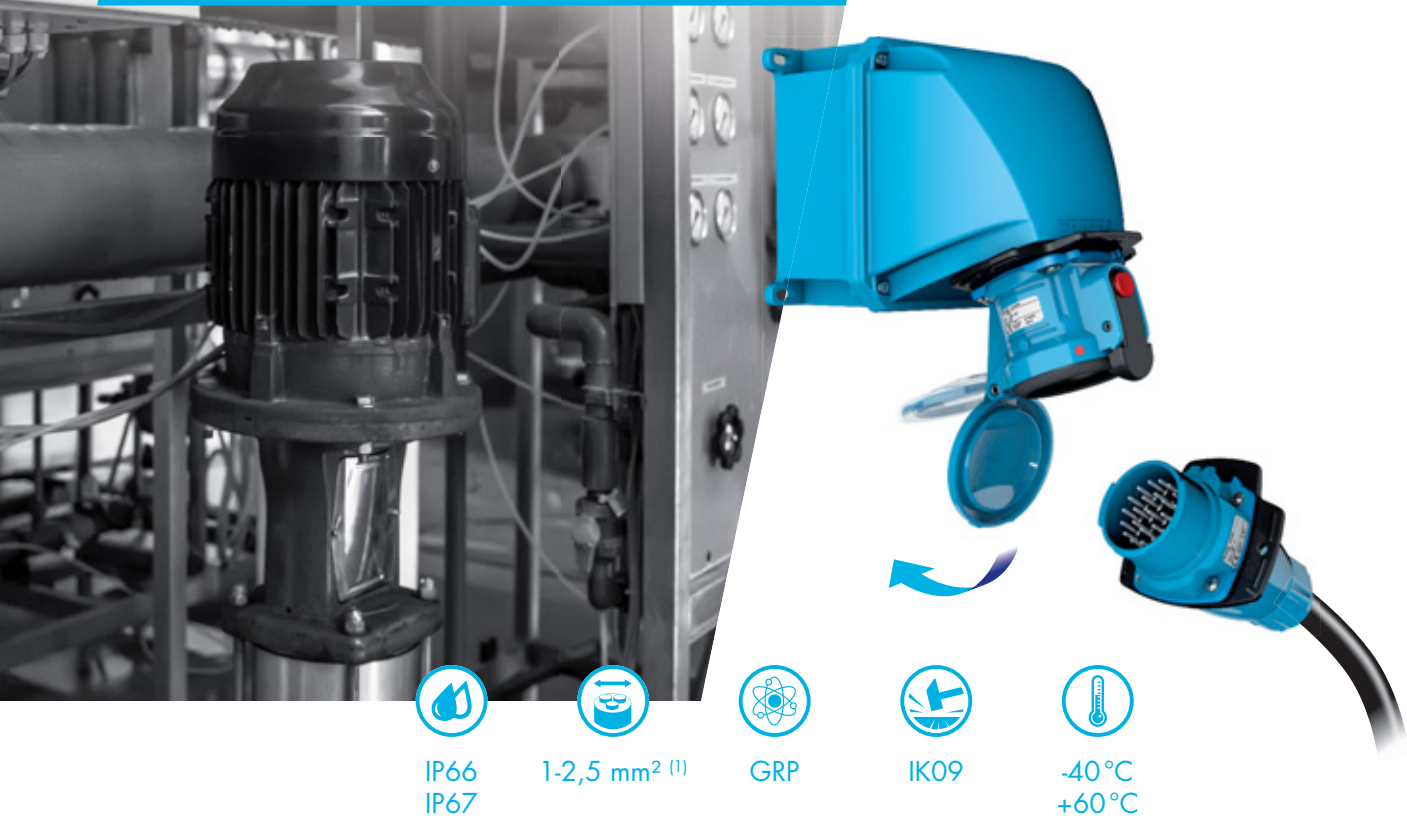


24 CONTACTS

16 A

480 V
U_{MAXI}

MULTICONTACT CONNECTORS DSN24C



IP66
IP67



1-2,5 mm² ⁽¹⁾



GRP



IK09



-40 °C
+60 °C

(1) Flexible wiring (min.-max.).

OTHER FEATURES

| | |
|---------------------------|---|
| Impulse withstand voltage | 5 kV |
| Contact resistance | < 2 mΩ |
| Permitted current range | 4-20 mA/16 A |
| ∑ of currents (contacts) | ≤ 230 A |
| Terminals wiring | To weld/crimp |
| Butt contacts | Silver-nickel tips |
| Contact protection | Silvering |
| Load cycles | > 5000 cycles |
| Vibrations | Frequency 5-1000 Hz, 1g/(90 minutes on each critical frequency) according to IEC 6068-2-6 |

SOCKET-OUTLET

female
DSN24C



INLET male
DSN24C



For a black colour housing replace the second reference character with 5.








480 V AC





24 contacts







61B4002

61B8002






► Each product is supplied with 2 bags of 13 contacts, supplied with insulation sleeves and ferrules (voir p. 142 or the accessories page for more details).

| OPTIONS | Reference |
|--|----------------------|
| LOCKING PIN FOR 2 PADLOCKS Ø 4 TO 8 mm (PADLOCK NOT SUPPLIED) | |
|  | Ref. + 843 |
| LARGER RELEASE BUTTON | |
|  | Ref. socket + 453 |
| IN-LINE CONNECTIONS (A PAIR OF FINGER DRAW PLATES TO AID CLOSING) | |
|  | 613A346 |
| INLET CAP IP66/IP67 | |
|  | 613A426 |
| IP40 SELF RETURNING LID (MANUAL CLOSING) | |
|  | Socket-outlet ref.+R |
| BAG OF 13 FEMALES CONTACTS | |
|  | 01AA213 |
| BAG OF 13 MALES CONTACTS | |
|  | 61CA113 |
| PRODUCTS AVAILABLE IN BLACK ● | |
| The black dot means these products are also available in black color. Replace the second character of the product reference with 5 | |
| PRODUCT WITH ANTI-BACTERIAL TREATMENT ● | NEW |
| This sticker means that the product is also available with an antibacterial treatment. Add the suffix AG to the reference. For more information on anti-bacterial treated handles please consult us. | |

| SLEEVE | $\angle x^\circ$ | Reference |
|---|------------------|-----------|
| POLY SLEEVE ● | | |
|  | 30° | 512M3 |
|  | 70° | 512M7 |
| METAL SLEEVE | | |
|  | 0° (Straight) | 592M0 |
|  | 30° | 592M3 |

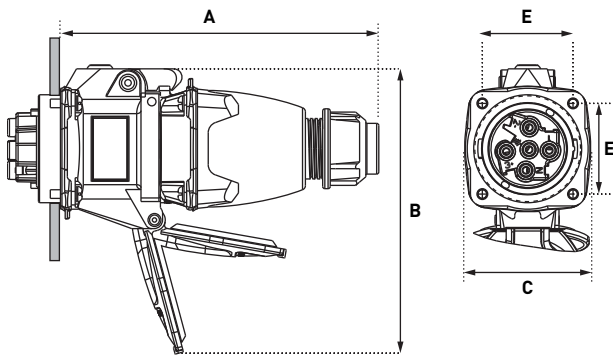
| BOXES | $\angle x^\circ$ | Input | Reference |
|---|------------------|-----------------------|-----------|
| POLY BOX ● | | | |
|  | 30° | M20 | 512B3M20 |
| | 30° | M25 | 512B3M25 |
| METAL BOX (+ EARTHING WIRE) | | | |
|  | 20° | M20 | 592B2M20 |
| | 20° | M25 | 592B2M25 |
| POLY BOX + POLY SLEEVE (BLACK VERSION SEE ACCESSORIES DXN3 PAGE 253) | | | |
| | 70° | Without hole | 512C7000 |
|  | 70° | Ø 20 mm drill hole | 512C7M20 |
| | 70° | Ø 25 mm drill hole | 512C7M25 |
| Earth bar ref. : 51AA089 | 70° | Ø 32 mm drill hole | 512C7M32 |
| | 70° | Ø 40 mm drill hole | 512C7M40 |
| METAL BOX (+ EARTHING WIRE) + POLY SLEEVE | | | |
|  | 30° | M20 | 512C3M20 |
| | 30° | M25 | 512C3M25 |
| | 30° | M32 | 512C3M32 |
| | 30° | M40 | 512C3M40 |
| METAL BOX (+ EARTHING WIRE) + METAL SLEEVE | | | |
|  | 30° | M20 | 592C3M20 |
| | 30° | M25 | 592C3M25 |
| | 30° | M32 | 592C3M32 |
|  | 0° (Straight) | M20 | 592C0M20 |
| | 0° (Straight) | M25 | 592C0M25 |
| | 0° (Straight) | M32 | 592C0M32 |

Cable glands are not delivered with the boxes.

| HANDLE | Input/ Cable outer Ø | Reference |
|---|-------------------------|-----------|
| POLY HANDLE WITH GLAND ●● | | |
|  | 5-21 mm | 512P0D21 |
| POLY HANDLE + POLY CABLE GLAND ●● | | |
| | 5-12 mm | 512P020P |
|  | 9-18 mm | 512P025P |
| | 14-25 mm | 512P032P |
| | 18-32 mm | 512P040P |
| METAL HANDLE WITH METAL GLAND (+ EARTHING WIRE) | | |
|  | 7-13 mm | 592P020M |
| | 8-16 mm | 592P025M |
| | 16-24 mm | 592P032M |
| POLY HANDLE (WITHOUT CABLE GLAND) ● | | |
| | M20 | 512P0M20 |
|  | M25 | 512P0M25 |
| | M32 | 512P0M32 |
| | M40 | 512P0M40 |
| METAL HANDLE METRIC THREAD ENTRY (WITHOUT CABLE GLAND) | | |
|  | M20 | 592P0M20 |
| | M25 | 592P0M25 |
| | M32 | 592P0M32 |

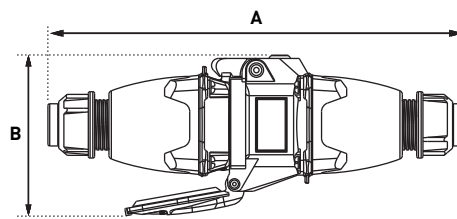
DRAWINGS AND DIMENSIONS

PLUG ON SOCKET-OUTLET



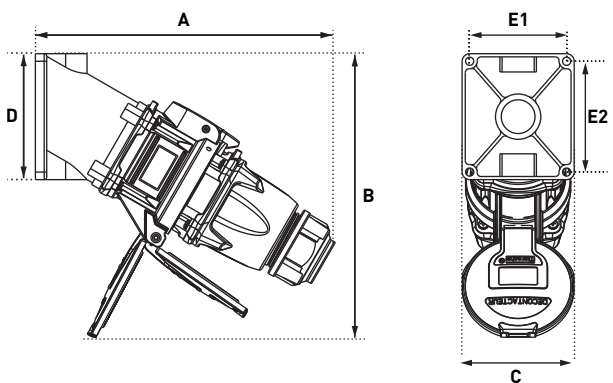
| A | B | C | E |
|-----|-----|----|----|
| 171 | 171 | 77 | 48 |

COUPLER



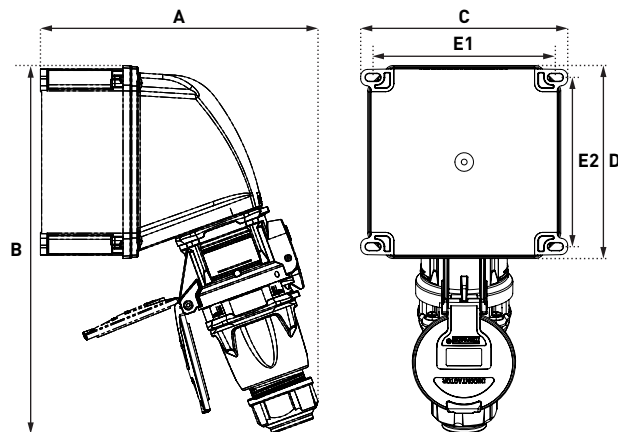
| A | B |
|-----|-----|
| 265 | 116 |

PLUG ON 30° WALL MOUNTED SOCKET OUTLET



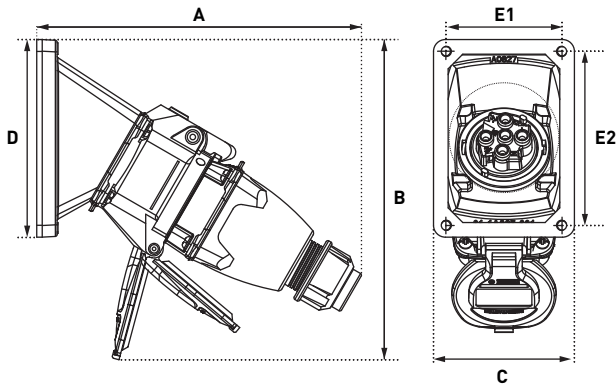
| A | B | C | D | E1 | E2 |
|-----|-----|----|----|----|----|
| 213 | 191 | 84 | 84 | 70 | 70 |

PLUG ON 70° WALL-MOUNTED SOCKET-OUTLET



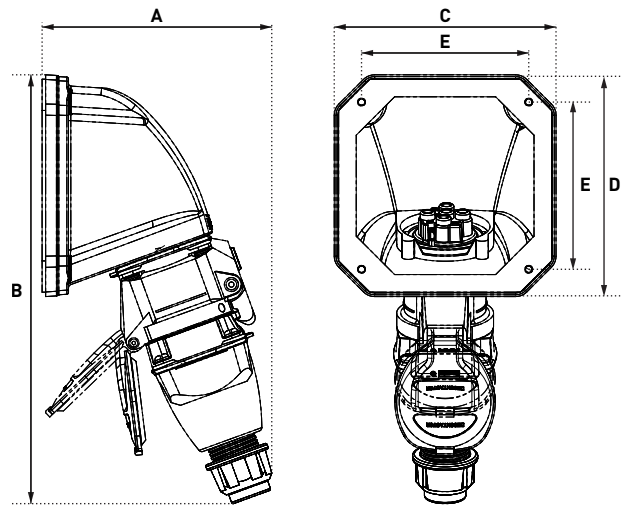
| A | B | C | D | E1 | E2 |
|-----|-----|-----|-----|-----|-------|
| 207 | 262 | 138 | 126 | 117 | 105.5 |

PLUG ON 30° INCLINED SOCKET-OUTLET



| A | B | C | D | E1 | E2 |
|-----|-----|----|-----|----|----|
| 195 | 191 | 77 | 108 | 63 | 95 |

PLUG ON 70° INCLINED SOCKET-OUTLET



| A | B | C | D | E |
|-----|-----|-----|-----|----|
| 138 | 262 | 126 | 126 | 95 |

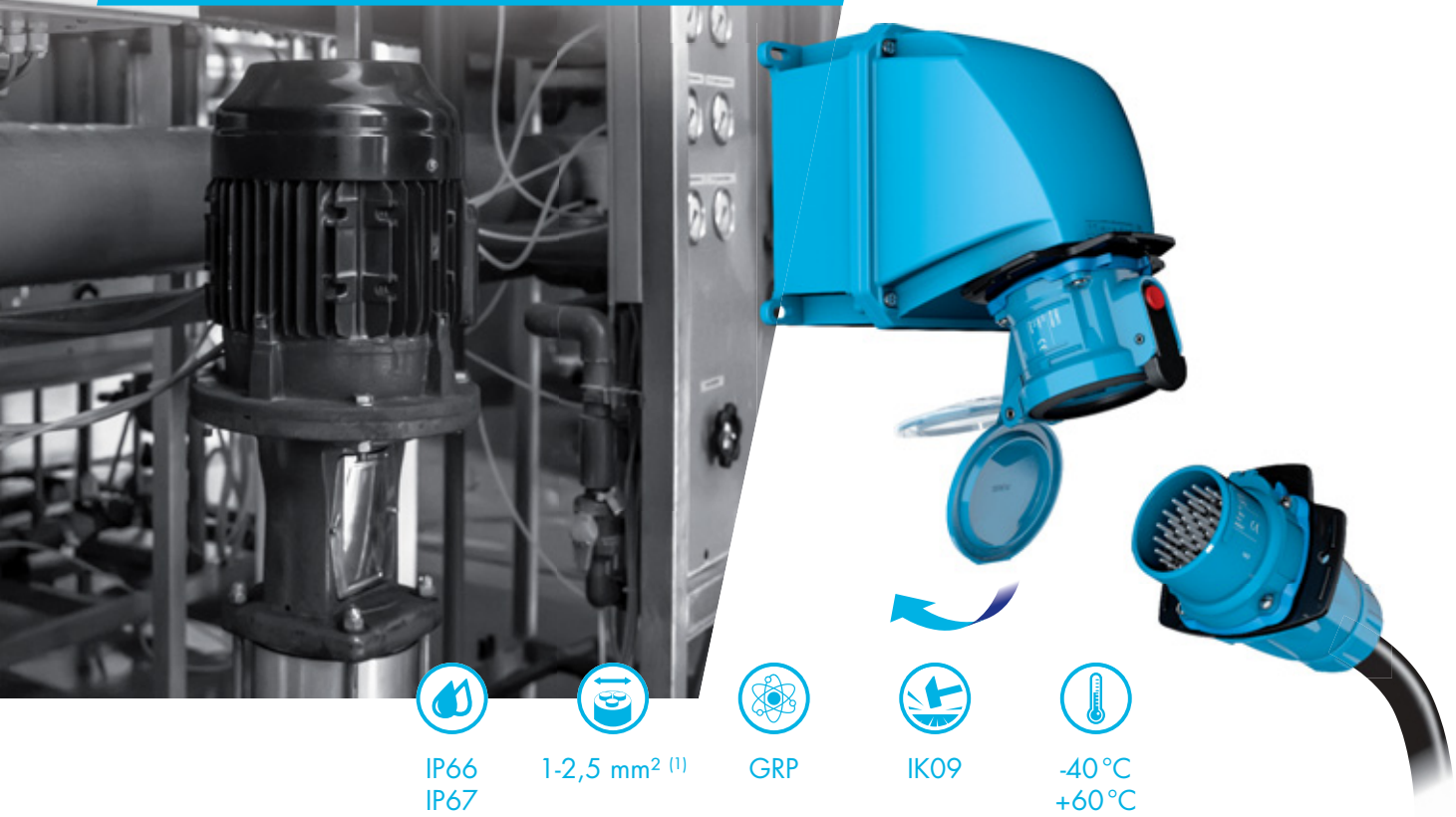


37 CONTACTS

16 A

480 V
U_{MAXI}

MULTICONTACT CONNECTORS DSN37C



IP66
IP67



1-2,5 mm² ⁽¹⁾



GRP



IK09



-40 °C
+60 °C

(1) Flexible wiring (min.-max.).



For metal versions,
contact us.

OTHER FEATURES

| | |
|---------------------------|--|
| Impulse withstand voltage | 5 kV |
| Contact resistance | < 2 mΩ |
| Permitted current range | 4-20 mA/16 A |
| ∑ of currents (contacts) | ≤ 360 A |
| Terminals wiring | To weld/crimp |
| Butt contacts | Silver-nickel tips |
| Contact protection | Silvering |
| Load cycles | > 5000 cycles |
| Vibrations | Frequency 5-1000 Hz, 1g/(90 minutes on each critical frequency) according to IEC 6068-2-6 |

SOCKET-OUTLET

female
DSN37C



INLET male
DSN37C












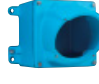


For a black colour
housing replace the second
reference character with 5.

| | | | |
|----------|-------------|---------|---------|
| 480 V AC | 37 contacts | 61C4003 | 61C8003 |
|----------|-------------|---------|---------|






► Each product is supplied with 3 bags of 13 contacts, supplied with insulation sleeves and ferrules (voir p. 142 or the accessories page for more details).

| OPTIONS | Reference |
|--|--|
| LOCKING PIN FOR 2 PADLOCKS Ø 4 TO 8 mm (PADLOCK NOT SUPPLIED) | |
|  | Ref. + 843 |
| LARGER RELEASE BUTTON | |
|  | Ref. socket + 453 |
| IN-LINE CONNECTIONS (A PAIR OF FINGER DRAW PLATES) | |
|  | 616A346 |
| INLET CAP IP66/IP67 | |
|  | 616A426 |
| IP40 SELF RETURNING LID (MANUAL CLOSING) | |
|  | Socket-outlet ref.+R |
| REVERSED INTERIOR AND CONTACTS | |
|  | Ref. conn. + 001 Ref. socket + 001 |
| BAG OF 13 FEMALES CONTACTS | |
|  | 01AA213 |
| BAG OF 13 MALES CONTACTS | |
|  | 61CA113 |
| PRODUCTS AVAILABLE IN BLACK ● | |
| The black dot means these products are also available in black color. Replace the second character of the product reference with 5 | |
| PRODUCT WITH ANTI-BACTERIAL TREATMENT ● | NEW |
| This sticker means that the product is also available with an antibacterial treatment. Add the suffix AG to the reference. For more information on anti-bacterial treated handles please consult us. | |

| SLEEVE | x° | Reference |
|---|---------------|-----------|
| POLY SLEEVE ● | | |
|  | 30° | 513M3 |
|  | 70° | 513M7 |
| METAL SLEEVE | | |
|  | 0° (Straight) | 593M0 |
|  | 30° | 593M3 |
|  | 70° | 593M7 |

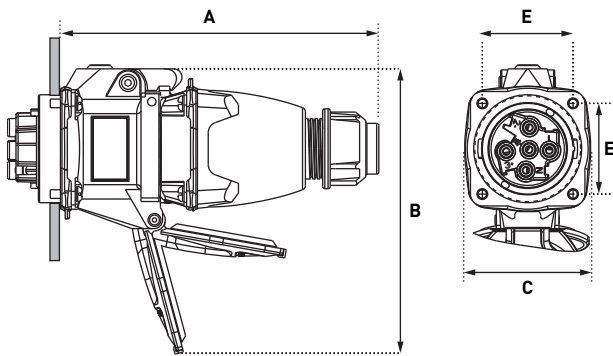
| BOÎTIERS | x° | Input | Reference |
|---|---------------|-----------------------|-----------|
| POLY BOX ● | | | |
|  | 30° | M25 | 513B3M25 |
| METAL BOX (+ EARTHING WIRE) | | | |
|  | 20° | M20 | 593B2M20 |
| | 20° | M25 | 593B2M25 |
| | 20° | M32 | 593B2M32 |
| POLY BOX + POLY SLEEVE (BLACK VERSION SEE ACCESSORIES DXN6 PAGE 259) | | | |
|  | 70° | Without hole | 513C7000 |
| | 70° | Ø 25 mm drill hole | 513C7M25 |
| Earth bar ref. : 51AA089 | 70° | Ø 32 mm drill hole | 513C7M32 |
| | 70° | Ø 40 mm drill hole | 513C7M40 |
| METAL BOX (+ EARTHING WIRE) + POLY SLEEVE | | | |
|  | 30° | M20 | 513C3M20 |
| | 30° | M25 | 513C3M25 |
| | 30° | M32 | 513C3M32 |
| | 30° | M40 | 513C3M40 |
| METAL BOX (+ EARTHING WIRE) + METAL SLEEVE | | | |
|  | 30° | M20 | 593C3M20 |
| | 30° | M25 | 593C3M25 |
| | 30° | M32 | 593C3M32 |
| | 30° | M40 | 593C3M40 |
|  | 0° (Straight) | M20 | 593C0M20 |
| | 0° (Straight) | M25 | 593C0M25 |
| | 0° (Straight) | M32 | 593C0M32 |
| | 0° (Straight) | M40 | 593C0M40 |
|  | 70° | M20 | 593C7M20 |
| | 70° | M25 | 593C7M25 |
| | 70° | M32 | 593C7M32 |
| | 70° | M40 | 593C7M40 |

Cable glands are not delivered with the boxes.

| HANDLE | Input/ Cable outer Ø | Reference |
|---|-------------------------|-----------|
| POLY HANDLE WITH GLAND ●● | | |
|  | 10-30 mm | 513P0D30 |
| POLY HANDLE + POLY CABLE GLAND ●● | | |
|  | 9-18 mm | 513P025P |
| | 14-25 mm | 513P032P |
| | 18-32 mm | 513P040P |
| METAL HANDLE WITH METAL GLAND (+ EARTHING WIRE) | | |
|  | 7-13 mm | 593P020M |
| | 8-16 mm | 593P025M |
| | 16-24 mm | 593P032M |
| | 22-32 mm | 593P040M |
| POLY HANDLE (WITHOUT CABLE GLAND) ● | | |
|  | M20 | 513P0M20 |
| | M25 | 513P0M25 |
| | M32 | 513P0M32 |
| | M40 | 513P0M40 |
| METAL HANDLE METRIC THREAD ENTRY (WITHOUT CABLE GLAND) | | |
|  | M20 | 593P0M20 |
| | M25 | 593P0M25 |
| | M32 | 593P0M32 |
| | M40 | 593P0M40 |

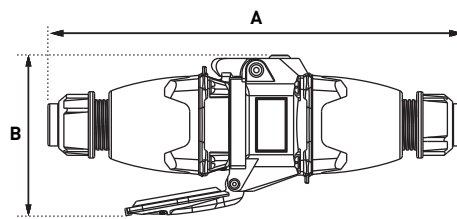
DRAWINGS AND DIMENSIONS

PLUG ON SOCKET-OUTLET



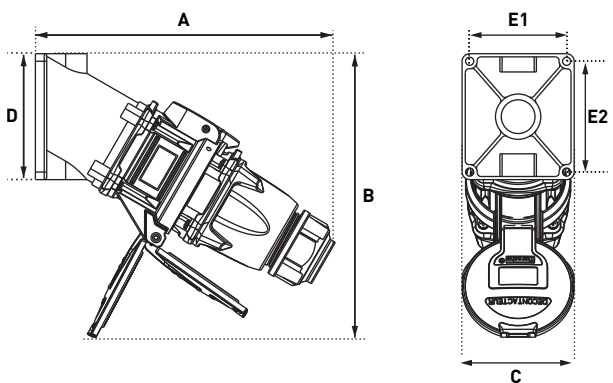
| A | B | C | E |
|-----|-----|----|----|
| 184 | 195 | 84 | 55 |

COUPLER



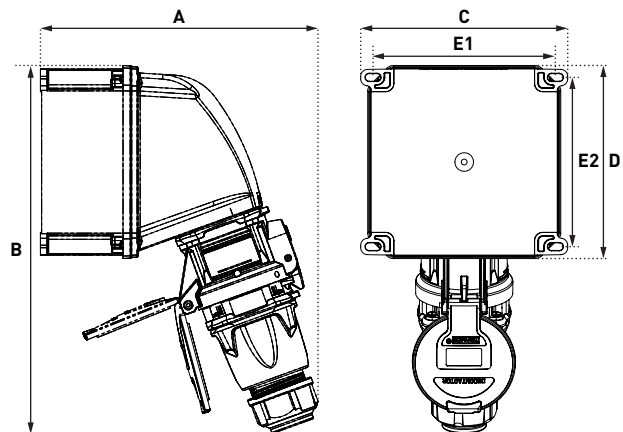
| A | B |
|-----|-----|
| 286 | 122 |

PLUG ON 30° WALL MOUNTED SOCKET OUTLET



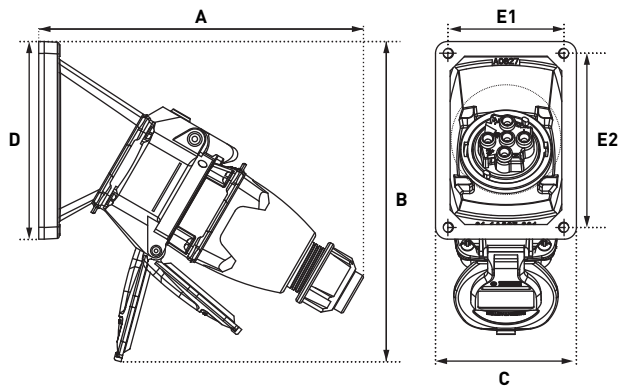
| A | B | C | D | E1 | E2 |
|-----|-----|----|-----|----|----|
| 238 | 225 | 89 | 100 | 77 | 88 |

PLUG ON 70° WALL-MOUNTED SOCKET-OUTLET



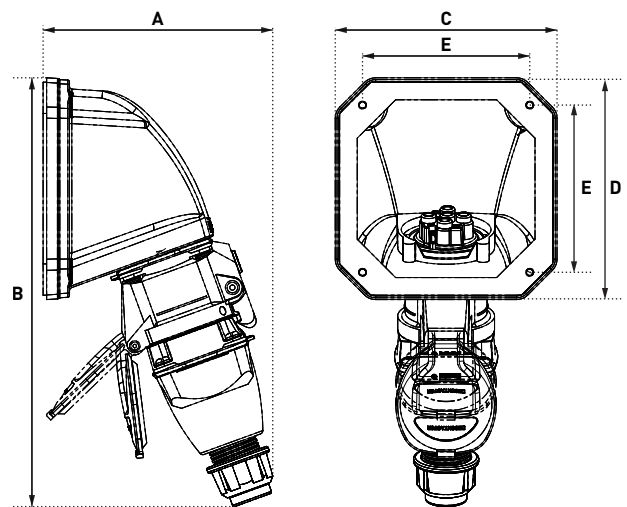
| A | B | C | D | E1 | E2 |
|-----|-----|-----|-----|-----|-----|
| 239 | 317 | 178 | 166 | 157 | 146 |

PLUG ON 30° INCLINED SOCKET-OUTLET



| A | B | C | D | E1 | E2 |
|-----|-----|----|-----|----|----|
| 212 | 219 | 77 | 108 | 63 | 95 |

PLUG ON 70° INCLINED SOCKET-OUTLET



| A | B | C | D | E |
|-----|-----|-----|-----|-----|
| 170 | 317 | 166 | 166 | 135 |

