

MAIN FEATURES

40 A

EVO SEPARABLE SWITCH-DISCONNECTOR



KEY FEATURES

- Up to 6 poles + earth
- Smooth sleek design, no visible fastening screws
- Surface mounting dimension restricted to 120 mm
- IP4X on supply side
- IP66/IP67/IP69 tightness in ON and OFF positions when supply and load parts are connected, including when separated using plug caps
- Visible and distinctly obvious breaking
- Manœuvring speed independent of the operator's applied force
- Padlockable in OFF position

A UNIQUE PRODUCT

EVO40 is a manually operated separable switch-disconnector, with configurations from 2 to 6 poles + Earth.

Certified by LCIE BUREAU VERITAS to IEC/EN 60947-1 and 60947-3 standards. **EVO40** allows for frequent making and breaking on load, while ensuring safe isolation of any low voltage electrical circuit: resistive (AC-21A), mixed resistive/inductive (AC-22A) or inductive (AC-23A). **EVO40** also allows for on load making & breaking of all electric motors (AC-3), as per IEC/EN 60943-3 standard requirements.

Equipped with self-cleaning silver alloy contact tips and a unique and patented **mechanism**, our new technological concept combines the functionalities of a switch and an isolator.

The design facilitates successive double breaking pole by pole, which ensures optimal safety during any maintenance operation.

EVO FACILITATES THE COMPLIANCE OF:

- electrical machinery to the "Machinery" European Directive on isolating device, and to standards EN 12100 and EN 60204-1,
- electrical installations to installation standards: IEC/HD 60364 and NF C 15-100 (French) or other national transposition.

Once the supply and load parts have been separated, a safety shutter prevents any risk of electric shock (IP4X/IPXXD). The **robust mechanism** allows **distinctly and visibly separated** disconnection and separation even in the event of overload currents.

Thanks to the compact design, **EVO40** can be configured to be panel-mounted or flush-mounted on a wall box with varying angles. Other standard features include: **padlockable** accessory, hidden screws, and a smooth, crevice-free design.

The quality of **EVO40** materials offers flexibility in the most demanding of applications in terms of hygiene, robustness and reliability (IP66/IP67/IP69 and IK09): Halogen-free; UL94-Standard compliant self-extinguishing materials; resistant to hot vapours (tropicalisation as per IEC 60068-2) as well as UVs (class f1), corrosion and chemical agents.

EVO is certified by LCIE BUREAU VERITAS to standard :

- EC/EN 60947-1/-3/: Low-voltage switchgear and controlgear - Part 3: Switches, disconnectors, switch-disconnectors and fuse-combination units.



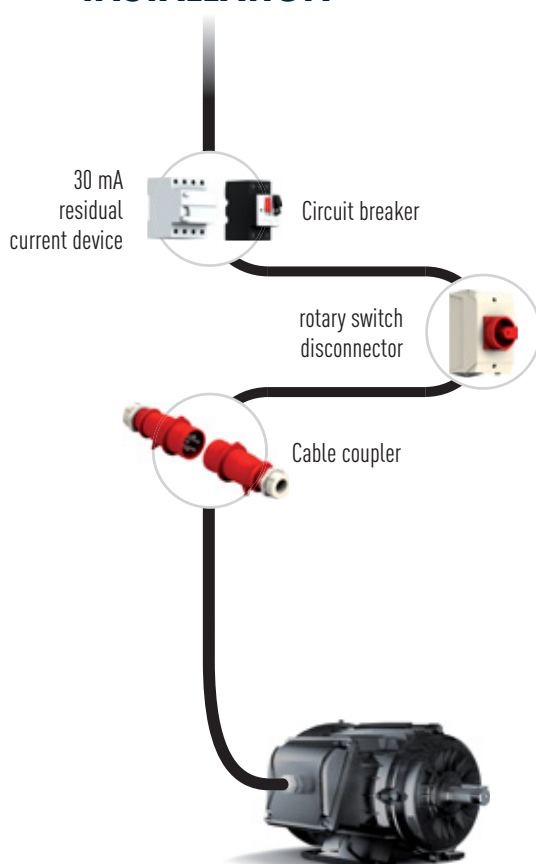
OUR CERTIFICATIONS

EVO is a switch-disconnector with visible and fully apparent breaking. As such, it is not subject to the obligation of a 30 mA residual current device (RCD).

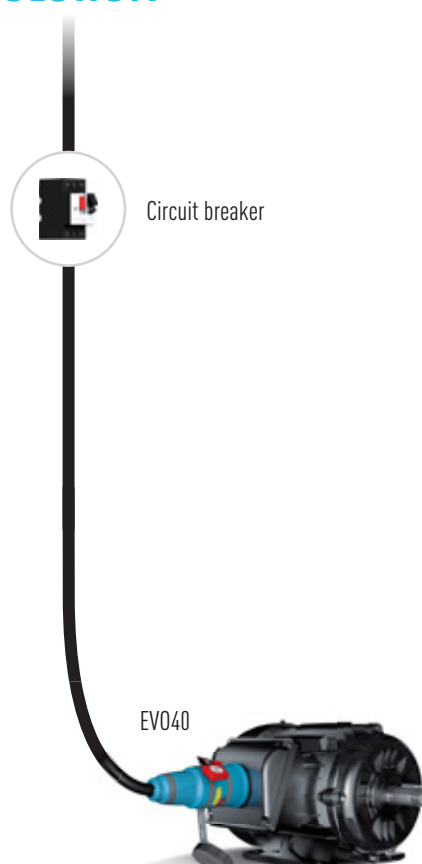
EVO allows:

- continuity of service: no unwanted tripping, no production loss;
- space saving and cost reduction;
- securing and simplifying interventions: for maintenance or replacement of an equipment, EVO can be separated in two parts, by means of a tool, and padlocked. When separated, EVO has an IP4X/IPXXD rating. It is therefore not necessary to use authorized personnel or protection procedures.

STANDARD INSTALLATION



EVO40 SOLUTION



MAIN FEATURES

40 A

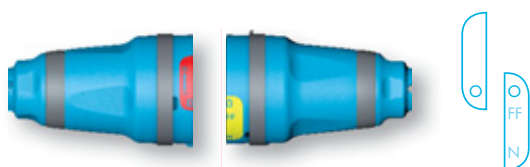
EVO SEPARABLE SWITCH-DISCONNECTOR



LOAD BREAK ROTARY SWITCH

- Simple operation
- Automatic IP in ON and OFF positions

SEPARATED POSITION



POSITION 00

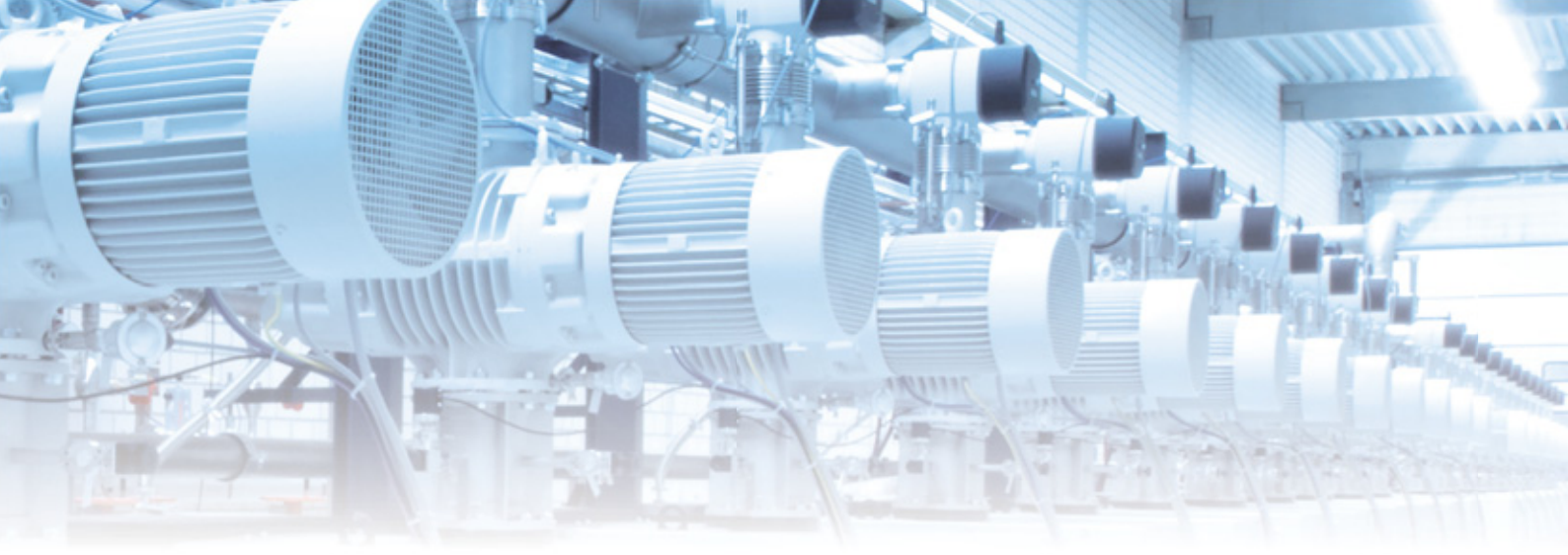


POSITION OFF



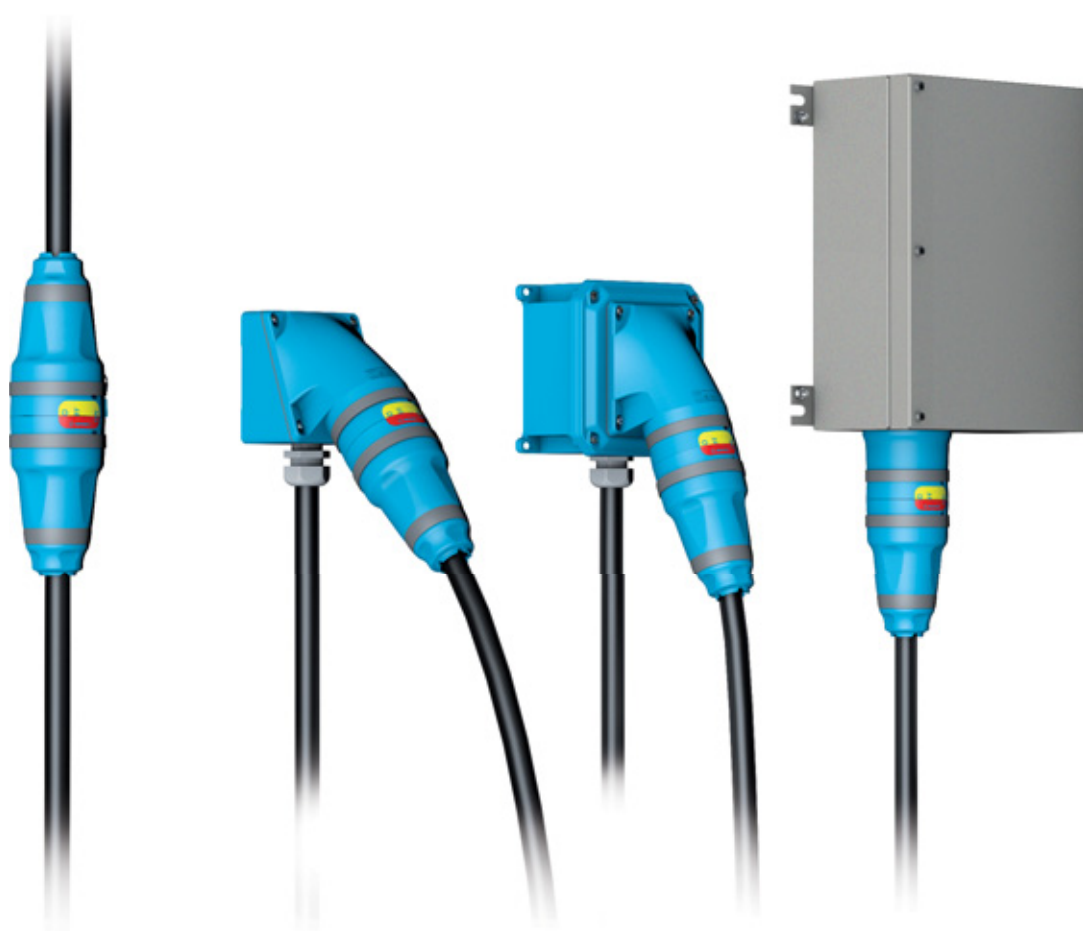
POSITION ON





POSSIBLE INSTALLATIONS

- Inclined sleeve or wall box
- Inclined sleeve on box
- Straight sleeve under box
- Coupler



6 POLES

18,5 kW

690 V
U_{MAXI}

SEPARABLE SWITCH-DISCONNECTOR EVO40



IP66
IP67/IP69



2,5-10 mm² (1)
2,5-16 mm² (2)



GRP



IK09



-25 °C
+60 °C



See table



60947-1/-3

(1) Flexible wiring (min.-max.).
(2) Stranded wiring (min.-max.).



A padlock key is provided with each source

SWITCHING CAPACITY

kW/V	230 V	400 V	690 V
AC-21 A/AC-22 A	40 A	40 A	40 A
AC-23 A	11 kW	18,5 kW	18,5 kW
AC-3	7,5 kW	11 kW	11 kW


OTHER FEATURES

Electrical Load cycles	15 000 cycles*
U _i : Rated insulation voltage	1 000 V AC
U _{max} : Operational voltage	690 V
I _{the} : Conventional enclosed thermal current	40 A
U _{imp} : Rated impulse withstand voltage	8 kV
I _{cc} : Rated short-circuit breaking current capacity with gG fuses and aM fuse	100 kA
I _{cm} : Rated short-circuit making current capacity	1 kA

* In AC-23A 690 V AC/40A service operation.

REFERENCES



Voltage	Poles	Supply	Load	Straight sleeve	70° inclined sleeve	Handle ⁽¹⁾	90° wall box ⁽²⁾
200-250 V AC	2P+E	8144032	8148032	51LM0	51LM7	51LP0D21	51LC9000
	3P+E	8144033	8148033				
	4P+E	8144034	8148034				
	6P+E	8144036	8148036				
380-480 V AC	2P+E	8144012	8148012	51LM0	51LM7	51LP0D21	51LC9000
	3P+E	8144013	8148013				
	4P+E	8144014	8148014				
	6P+E	8144016	8148016				
500-690 V AC	2P+E	8144052	8148052	51LM0	51LM7	51LP0D21	51LC9000
	3P+E	8144053	8148053				
	4P+E	8144054	8148054				
	6P+E	8144056	8148056				
Umax 690 V AC	2P+E	8144122	8148122	51LM0	51LM7	51LP0D21	51LC9000
	3P+E	8144123	8148123				
	4P+E	8144124	8148124				
	6P+E	8144126	8148126				
Load side cap IP66/IP67 padlockable	Included	814A426G					

(1) Gland size 5-21 mm.

(2) Without drilling, top entry. Reversible wall box for 50° angle with bottom entry.

ADDITIONAL PADLOCKING KEYS



Packaging = 10

814A541

SAFETY HASP FOR UP TO 6 PADLOCKS



613A541

PRODUCT WITH ANTI-BACTERIAL TREATMENT ●

NEW

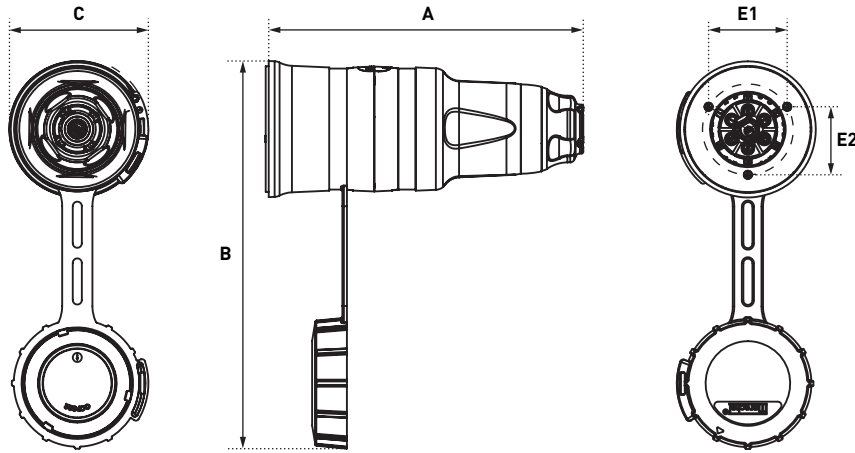
This sticker means that the product is also available with an antibacterial treatment. Add the suffix AG to the reference. For more information on antibacterial treated handles please consult us.



DRAWINGS AND DIMENSIONS

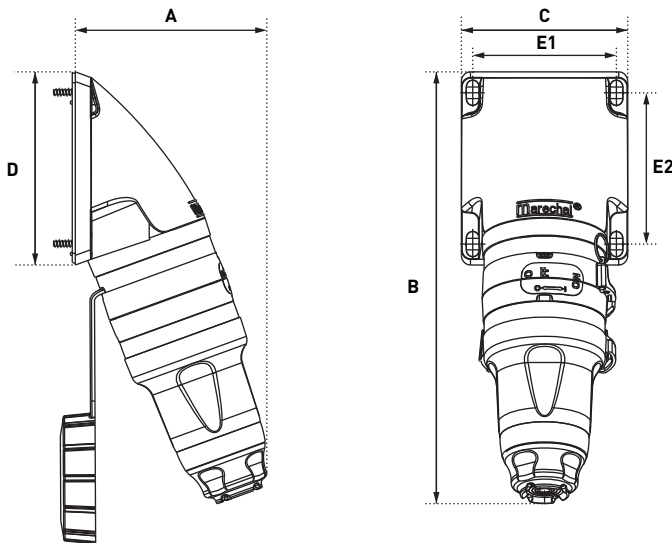
Dimensions are in millimeters.

STRAIGHT SLEEVE



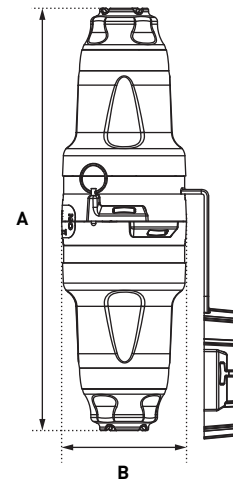
A	B	C	E1	E2
209	256	94	52	45

INCLINED SLEEVE 70°



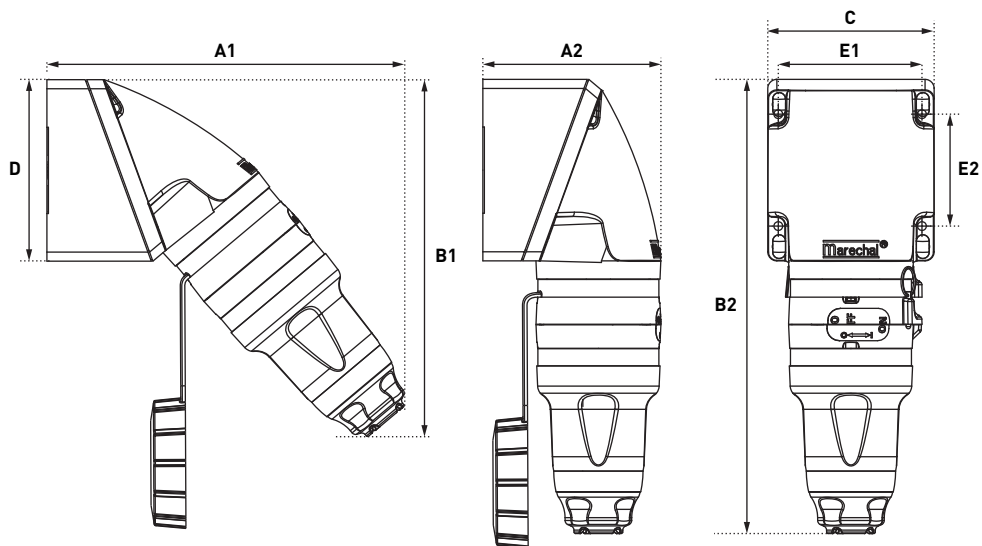
A	B	C	D	E1	E2
127	286	110	128	95	100

ON FLEXIBLE CABLE



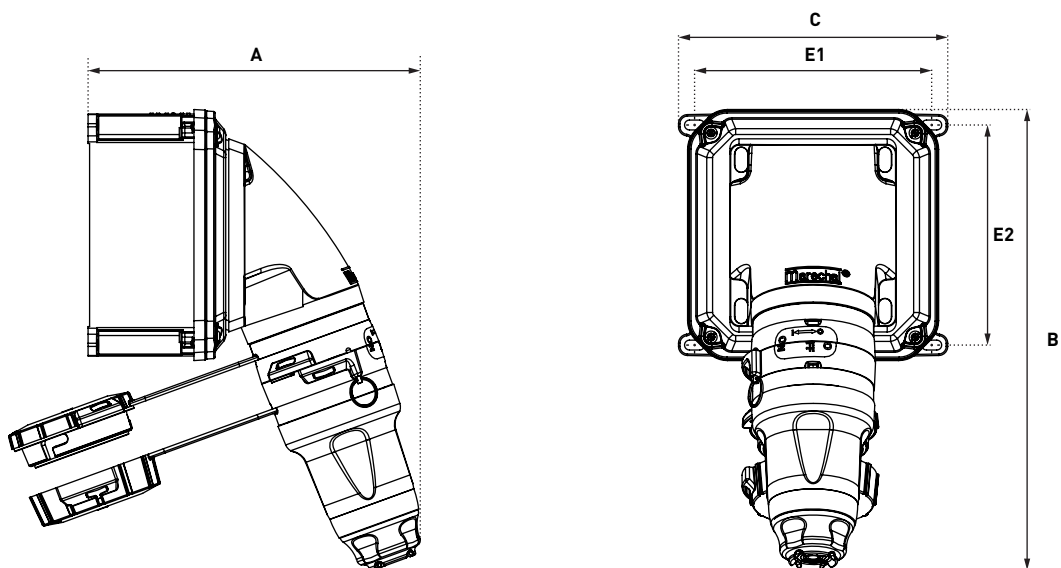
A	B
279	81

REVERSIBLE WALL BOX 50° AND 90°



A1	A2	B1	B2	C	D	E1	E2
236	118	236	301	110	120	95	74

MANCHON 70° SUR BOITIER B2



A	B	C	E1	E2
220	305	178	157	145,5