

## New part number system for accessories

### product change description

Effective January 1, 2018 MELTRIC will implement Phase 1 of a new global part numbering system that will make it easier for buyers and sellers to identify parts worldwide. MELTRIC is announcing the change at this time so that our sales channels can prepare. Pricing will not be affected.

**Product lines affected:** DSN, DS, DB, DR, DSDC, PN, DN

**Product lines NOT affected:** PF, PFQ, CS1000, SP, DXN, DX, SPeX, PXN

**Specific accessory parts NOT affected:** Protective inlet caps, adapter plates

#### Examples

Old Part Number	New Part Number
61-6A027	513M3
61-6A013	513P0D30
MA3	593M3
9MH1	795P0N10

### new accessory part number scheme

Digit 1	Digit 2	Digit 3	Digit 4	Digit 5	Digit 6+7+8	Digit 9+10+11
Where Used	Material	Part Size	Type	Angle	Thread/Cord Grip	Extra Options
5 - Industrial	1 - Blue Poly	1 - DSN20, PN, etc	B - Box	0 - 0°	N02 - 1/4" NPT	443 - Self ejection handle
2 - Hazardous	5 - Black Poly	2 - DSN30, DS20, etc	C - Box+Angle	2 - 20°	N05 - 1/2" NPT	873 - Poly handle & insert
7 - MELTRIC specific	9 - Blue Metal	3 - DSN60, DS3, etc	F - Back Box	3 - 30°	N07 - 3/4" NPT	185 - High Temp
	K - Black Metal	4 - DS60, DB60, etc	M - Angle	4 - 45°	N10 - 1" NPT	
	T - Grey Metal	5 - DS100, DN20c, etc	P - Handle	6 - 60°	N12 - 1 1/4" NPT	
			6 - DS200, etc		7 - 70°	N15 - 1 1/2" NPT
		7 - DR400, etc		9 - 90°	N20 - 2" NPT	

A final, more comprehensive accessory part number explanation will be distributed later in 2017.

### communication plan

1. An Accessory Cross Reference list of affected parts is included at the end of this announcement. The final version of this list be distributed by the end of the year 2017 and will be included in the 2018 catalog.
2. Beginning on October 1, 2017 MELTRIC will implement changes to box labels, acknowledgments, invoices, and packing lists - they will show both the current and future part numbers. After Jan 1, 2018 they will show the new accessory part numbers followed by the old, obsolete part numbers.

# New part number system for accessories

## communication plan

ACKNOWLEDGEMENT						
Item	T	Quantity Ordered	Est. Ship Date	UM	Part Number	Description
003	S	30		EA	61-1A013	NYLON HANDLE <b>To be replaced by Part Num: 511P0D18</b>
007	S	30		EA	61-3A013	NYLON HANDLE <b>To be replaced by Part Num: 512P0D21</b>

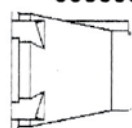
PACKING LIST							
Item	T	QUANTITY			Unit	Part Number/Revision	Description Extension
		Order	B/O	Ship			
001	S	7		7	EA	MAFS3	Metal 30° ANGLE FS/FD BOX <b>To be replaced by Part #: 793M3FS</b>
002	S	7		7	EA	FH311	NYLON HANDLE <b>To be replaced by Part #: 513P0D30</b>


INVOICE							
Item	T	QUANTITY			Part Number/Revision	Description	
		Order	B/O	Ship			
001	S	1		1	61-3A027	NYLON 30° HANDLE <b>To be replaced by Part #: 512M3</b>	
002	S	1		1	61-3A013	NYLON HANDLE <b>To be replaced by Part #: 512P0D21</b>	

### TYPICAL BOX LABEL

61-6A013-34  
**POLY HANDLE 3/4" NPT**  
 Used With: DSN60  
**DS30, DR50**  
**DSN37c**  
 AS OF 2018 PART NUMBER TO BE:  
**513P0N07**

000000



09/17  \*784474565219\*

# New part number system for accessories

## accessory cross reference list

### OLD/NEW ACCESSORIES REFERENCES

Old Part Number	New Part Number	Old Part Number	New Part Number	Old Part Number	New Part Number
01-NA013	511P0D18	19-6A013-34	595P0N07	31-3A053	513B3M25
01-NA013-1	511P0N10	19-6A053	595B2M40	31-3A053-080-1	713C3N10
01-NA013-12	511P0N05	19-6A253-32P	515P032P	31-3A053-080-112	713C3N15
01-NA013-34	511P0N07	19-6A953-32M	595P032M	31-3A053-080-114	713C3N12
01-NA023-12	511B3N05	19-8A053-418	592B2M25	31-3A053-080-12	713C3N05
01-NA023-34	511B3N07	19-9A253-40P	515P040P	31-3A053-080-34	713C3N07
01-NA025-12	511B0N05	1H12SS	7X2P0N05	31-3A253-418	513P0M25
01-NA025-34	511B0N07	1H1SS	7X2P0N10	31-3A253-419	513P0M32
01-NA027-601	511M3	1H34SS	7X2P0N07	31-3A473	513P0D30473
01-NA053-080-1	711C3N10	1PH1	512P0N10	31-3A653-417	513C3M20
01-NA053-080-112	711C3N15	1PH114	512P0N12	31-3A753	513P025P
01-NA053-080-114	711C3N12	1PH12	512P0N05	31-3A953-32M	593P032M
01-NA053-080-12	711C3N05	1PH12M	552P0N05	31-6A013	514P0D35
01-NA053-080-34	711C3N07	1PH1-CG	512P0N10443	31-6A027	514M3
01-NA053-418	511B3M25	1PH34	512P0N07	31-6A053-080-1	714C3N10
01-NA055	511B0M20	1PH34-CG	512P0N07443	31-6A053-080-112	714C3N15
01-NA313	511P6D18	1PH34M	552P0N07	31-6A053-080-114	714C3N12
04-2A090-5-10	751P9N10	1PM511	712P0S11	31-6A053-080-2	714C3N20
04-2A090-5-12	751P9N05	1PM514	712P0S14	31-6A253-32P	514P025P
04-2A090-5-34	751P9N07	1PM514CG	712P0S14443	31-6A253-25P	514P032P
09-2A013-SS-1	7X1P0N10	1PM516	712P0S16	31-6A253-419	514P0M32
09-2A013-SS-12	7X1P0N05	1PM516CG	712P0S16443	31-6A473	514P0D35473
09-2A013-SS-34	7X1P0N07	1PM518	712P0S18	31-6A753	514P040P
09-2A025-185-12	571B0N05185	1PM520	712P0S20	31-6A953-419	594P0M32
09-2A025-185-34	571B0N07185	1PM522	712P0S22	31-9A027	515M3
09-2A027-185	571M4185	1PM522CG	712P0S22443	31-9A053-080-1	715C3N10
09-2A053-080-SS-1	7X1C3N10	2H1	596P0N10	31-9A053-080-112	715C3N15
09-2A053-080-SS-34	7X1C3N07	2H112	596P0N15	31-9A053-080-114	715C3N12
09-2A053-185-34	571C4N07185	2H114	596P0N12	31-9A053-080-2	715C3N20
09-2A673-185	571C4M32185	2H2	596P0N20	31-9A053-080-212	715C3N25
09-2A674-185	571P025M185	2H212	596P0N25	31-9A053-080-34	715C3N07
09-2A675-185	571P032M185	2H2-CG	596P0N20443	31-9A126	35-9A126
09-2A913-67	571P020M185	2H3	596P0N30	31-9A953-63M	595P063M
09-2A963-185	571P020M185	2H941	596P0D00941	35-1A953-25M	5K2P025M
09-NA025-12	591B0N05	2H942	596P0D00942	35-2A013-D35	556P0D35
09-NA025-34	591B0N07	2H943	596P0D00943	35-2A013-D45	556P0D45
09-NA027	591M4	2PH1	516P0N10	35-2A013-D49	556P0D49
09-NA053-080-1	791C4N10	2PH112	516P0N15	35-6A053-080-112	7K4C0N15
09-NA053-080-114	791C4N12	2PH112CG	516P0N15443	35-6A473	554P0D35473
09-NA053-080-114-185	771C4N12185	2PH114	516P0N12	35PH1	7K3P0N10
09-NA053-080-1-185	771C4N10185	2PH2	516P0N20	35PH114	7K3P0N12
09-NA053-080-12	791C4N05	2PH212	516P0N25	35PM516	7K3P0S16
09-NA053-080-12-185	771C4N05185	2PH212-CG	516P0N25443	35PM522	7K3P0S22
09-NA053-080-34	791C4N07	31-1A013	512P0D21	39-1A053-080-SS-1	7X2C3N10
09-NA053-080-34-185	771C4N07185	31-1A053	512B3M20	39-1A127	592M0
09-NA055	591B0M20	31-1A053-080-1	712C3N10	39-2A053	596E6M63
09-NA953-32M	591P032M	31-1A053-080-112	712C3N15	39-2A053-080-112	796C6N15
09-NA963	591P020M	31-1A053-080-114	712C3N12	39-2A053-080-114	796C6N12
11-8A013	512P0D21	31-1A053-080-12	712C3N05	39-2A053-080-2	796C6N20
19-1A013	513P0D30	31-1A053-080-34	712C3N07	39-2A053-080-212	796C6N25
19-1A053	593B2M20	31-1A083	512B3M25	39-2A753	516P063P
19-1A953-32M	593P032M	31-1A253-25P	512P025P	39-2A913	596P0D54
19-3A013	514P0D35	31-1A253-419	512P0M32	39-2A953-429	596P0M50
19-3A053	594B2M25	31-1A443-25P	512P025P443	39-2A953-463	596P0M63
19-3A053-419	594B2M32	31-1A653-418	512C3M25	39-3A053-080-1	793C3N10
19-3A253-32P	514P032P	31-1A753	512P020P	39-3A053-080-114	793C3N12
19-6A013-1	595P0N10	31-1A953-32M	592P032M	39-3A053-080-12	793C3N05
19-6A013-112	595P0N15	31-3A025-418	771F0M25	39-3A053-080-34	793C3N07
19-6A013-114	595P0N12	31-3A025-418-080	712C3M25	39-3A053-080-SS-1	7X3C3N10
19-6A013-2	595P0N20	31-3A027	513M3	39-3A127	593M0

# New part number system for accessories

## accessory cross reference list

Old Part Number	New Part Number	Old Part Number	New Part Number	Old Part Number	New Part Number
39-4A025-63M	577C763M	3PM522	713P0S22	61-1A413	511P0D21
39-4A027-68	5T7M6	3PM522CG	713P0S22443	61-1A413-CG	511P0D21443
39-4A127	5T7M0	3PM522M	753P0S22	61-1A653	511C3M20
39-4A127-115	5T7M0-115	4MH2	5T7P0N20	61-3A013	512P0D21
39-4A127-68	5T7M0-68	4MH212	5T7P0N25	61-3A013-1	512P0N10
39-4A915-57	5T7P0D57	4MH3	5T7P0N30	61-3A013-114	512P0N12
39-4A915-62	5T7P0D62	51-AA058	511C7000	61-3A013-114-CG	512P0N12443
39-4A915-68	5T7P0D68	51-AA058-418	511C7M25	61-3A013-12	512P0N05
39-4A915-73	5T7P0D73	51-AA058-418-418	511C7Z0778	61-3A013-12-CG	512P0N05443
39-6A013	514P0D35	51-AA757	511M7	61-3A013-1-CG	512P0N10443
39-6A053	594B2M40	51-BA058	512C7000	61-3A013-34	512P0N07
39-6A053-080-1	794C3N10	51-BA757	512M7	61-3A013-34-CG	512P0N07443
39-6A053-080-112	794C3N15	51-CA058	513C7000	61-3A013-488	512P0D21488
39-6A053-080-114	794C3N12	51-CA757	513M7	61-3A013-CG	512P0D21443
39-6A053-080-2	794C3N20	51-DA058	514C7000	61-3A023-12	512B3N05
39-6A127	594M0	51-DA757	514M7	61-3A023-34	512B3N07
39-6A653-418	594C3M25	59-AA058-1	711C7N10	61-3A027	512M3
39-9A053-080-1	795C3N10	59-AA058-112	711C7N15	61-3A027-488	512M3488
39-9A053-080-112	795C3N15	59-AA058-114	711C7N12	61-3A053-080-1	712C3N10
39-9A053-080-112M	7K5C3N15	59-AA058-12	711C7N05	61-3A053-080-112	712C3N15
39-9A053-080-114	795C3N12	59-AA058-34	711C7N07	61-3A053-080-114	712C3N12
39-9A053-080-114M	7K5C3N12	59-BA058-1	712C7N10	61-3A053-080-12	712C3N05
39-9A053-080-2	795C3N20	59-BA058-112	712C7N15	61-3A053-080-34	712C3N07
39-9A053-080-212	795C3N25	59-BA058-114	712C7N12	61-3A053-080-34-LS	712C3N07C3
39-9A053-080-2M	7K5C3N20	59-BA058-12	712C7N05	61-3A083	512B3M25
39-9A053-080-34	795C3N07	59-BA058-34	712C7N07	61-3A253-25P	512P025P
39-9A127	595M0	59-CA058-1	713C7N10	61-3A253-32P	512P032P
39-9A653	595C3M50	59-CA058-112	713C7N15	61-3A253-417	512P0M20
3H1	593P0N10	59-CA058-114	713C7N12	61-3A253-418	512P0M25
3H112	593P0N15	59-CA058-12	713C7N05	61-3A253-419	512P0M32
3H112SS	7X3P0N15	59-CA058-34	713C7N07	61-3A653	512C3M20
3H114	593P0N12	59-DA058-1	714C7N10	61-3A653-419	512C3M32
3H114-CG	593P0N12443	59-DA058-112	714C7N15	61-3A753	512P020P
3H114SS	7X3P0N12	59-DA058-114	714C7N12	61-6A013	513P0D30
3H12	593P0N05	59-DA058-12	714C7N05	61-6A013-1	513P0N10
3H12SS	7X3P0N05	59-DA058-34	714C7N07	61-6A013-114	513P0N12
3H15S	7X3P0N10	61-1A013	511P0D18	61-6A013-114-CG	513P0N12443
3H2	593P0N20	61-1A013-1	511P0N10	61-6A013-12	513P0N05
3H34	593P0N07	61-1A013-12	511P0N05	61-6A013-12-CG	513P0N05443
3H34-CG	593P0N07443	61-1A013-12-CG	511P0N05443	61-6A013-1-CG	513P0N10443
3H34SS	7X3P0N07	61-1A013-1-CG	511P0N10443	61-6A013-34	513P0N07
3HM32SS	7X3P0M32	61-1A013-34	511P0N07	61-6A013-34-CG	513P0N07443
3PH1	513P0N10	61-1A013-34-CG	511P0N07443	61-6A013-CG	513P0D30443
3PH114	513P0N12	61-1A013-CG	511P0D18443	61-6A023-1	513B3N10
3PH114-CG	513P0N12443	61-1A013-M20	511P0M20	61-6A023-12	513B3N05
3PH12	513P0N05	61-1A023-12	511B3N05	61-6A023-34	513B3N07
3PH1-CG	513P0N10443	61-1A023-34	511B3N07	61-6A027	513M3
3PH34	513P0N07	61-1A027-601	511M3	61-6A053	513B3M25
3PH34-CG	513P0N07443	61-1A053	511B3M20	61-6A053-080-1	713C3N10
3PHM1	553P0N10	61-1A053-080-1	711C3N10	61-6A053-080-112	713C3N15
3PHM114	553P0N12	61-1A053-080-114	711C3N12	61-6A053-080-114	713C3N12
3PHM12	553P0N05	61-1A053-080-12	711C3N05	61-6A053-080-12	713C3N05
3PHM25	553P0M25	61-1A053-080-34	711C3N07	61-6A053-080-34	713C3N07
3PM514	713P0S14	61-1A053-080-M20	711C3M20	61-6A253-32P	513P032P
3PM514M	753P0S14	61-1A053-417	511B3M20	61-6A253-40P	513P040P
3PM516	713P0S16	61-1A253-20M	511P020M	61-6A253-418	513P0M25
3PM518	713P0S18	61-1A253-25P	511P025P	61-6A253-419	513P0M32
3PM518CG	713P0S18443	61-1A253-417	511P0M20	61-6A473	513P0D30473
3PM520	713P0S20	61-1A313	511P6D18	61-6A653-419	513C3M32
3PM520CG	713P0S20443	61-1A313-CG	511P6D18443	61-6A953-40M	593P040M

REFERENCE

# New part number system for accessories

## accessory cross reference list

### OLD/NEW ACCESSORIES REFERENCES

Old Part Number	New Part Number	Old Part Number	New Part Number	Old Part Number	New Part Number
61-6A963	593P025M	87-3A095-419	593C0M32	9PH2	515P0N20
61-9A253-463	515P063P	87-3A253-32P	513P032P	9PH2CG	515P0N20443
61-9A253-63P	515P0M63	87-3A963	593P025M	9PH34	515P0N07
65-1A013	551P0D18	87-6A013	514P0D35	9PH34CG	515P0N07443
65-1A013-34	551P0N07	87-6A053	594C7M40	9PM622	715P0S22
65-1A027-601	551M3	87-6A953-50M	594P050M	9PM625	715P0S25
65-3A013	552P0D21	87-6A963	594P040M	9PM627	715P0S27
65-3A013-1	552P0N10	87-9A823-420	595C7M40	9PM629	715P0S29
65-3A013-12-CG	552P0N05443	87-9A963	595P050M	DN16R	19-1A126
65-3A013-CG	552P0D21443	89-3A027	593M7	DN63R	19-6A126
65-3A027	552M3	89-3A053-080-1	793C7N10	FDP2	61-3A346
65-6A013	553P0D30	89-3A053-080-114	793C7N12	FDP3	61-6A346
65-6A013-1	553P0N10	89-3A053-080-12	793C7N05	FDP6	31-6A346
65-6A013-114	553P0N12	89-3A053-080-34	793C7N07	FDP9SS	7X5A346
65-6A027	553M3	89-6A027	594M7	FH111	512P0D21
65-9A013-D25	555P0D25	89-6A027M	5K4M7	FH111-488	512P0D21488
65-9A013-D25-CG	555P0D25443	89-6A053-080-1	794C7N10	FH111CG	512P0D21443
65-9A013-D35	555P0D35	89-6A053-080-112	794C7N15	FH111M	552P0D21
65-9A013-D45	555P0D45	89-6A053-080-114	794C7N12	FH311	513P0D30
65-9A013-D49	555P0D49	89-6A053-080-2	794C7N20	FH311-473	513P0D30473
69-3A127	592M0	89-6A053-080-34	794C7N07	FH311-473-CG	513P0D30446
69-6A013-1-SS	7X3P0N10	89-9A027	595M7	FH311-488	513P0D30488
6H1	594P0N10	89-9A027M	5K5M7	FH311CG	513P0D30443
6H112	594P0N15	89-9A053-080-1	795C7N10	FH311M	553P0D30
6H112AL	7A4P0N15	89-9A053-080-112	795C7N15	FH311M-473	553P0D30473
6H112-CG	594P0N15443	89-9A053-080-114	795C7N12	FH611	514P0D35
6H112M	5K4P0N15	89-9A053-080-2	795C7N20	FH611-473	514P0D35473
6H114	594P0N12	89-9A053-080-34	795C7N07	FH611-473-CG	514P0D35446
6H114-CG	594P0N12443	9H1	595P0N10	FH611CG	514P0D35443
6H114M	5K4P0N12	9H112	595P0N15	FH611M	554P0D35
6H12	594P0N05	9H112-CG	595P0N15443	H091U1	591P0N10
6H12M	5K4P0N05	9H112M	5K5P0N15	H091U1-185	571P0N10185
6H1-CG	594P0N10443	9H114	595P0N12	H091U12	591P0N05
6H1M	5K4P0N10	9H114-CG	595P0N12443	H091U12-185	571P0N05185
6H34	594P0N07	9H114M	5K5P0N12	H091U12-SS	7X1P0N05
6H34-CG	594P0N07443	9H1-CG	595P0N10443	H091U1-SS	7X1P0N10
6H34M	5K4P0N07	9H1M	5K5P0N10	H091U34	591P0N07
6PH1	514P0N10	9H2	595P0N20	H091U34-185	571P0N07185
6PH112	514P0N15	9H2AL	7A5P0N20	H091U34-SS	7X1P0N07
6PH112-CG	514P0N15443	9H2-AL	7A5P0N20	H93DNU112	593P0N15
6PH114	514P0N12	9H2CG	595P0N20443	MA10	595M3
6PH114-CG	514P0N12443	9H2M	5K5P0N20	MA10M	5K5M3
6PH12	514P0N05	9H34	595P0N07	MA110	795M3
6PH12-CG	514P0N05443	9H34M	5K5P0N07	MA2	592M3
6PH1-CG	514P0N10443	9-LD12-37	61-CA593	MA20	596M6
6PH1M	554P0N10	9MH1	795P0N10	MA220	796M4
6PH34	514P0N07	9MH112	795P0N15	MA25S	7X2M3
6PH34-CG	514P0N07443	9MH112M	7K5P0N15	MA3	593M3
6PHM-622	754P0B22	9MH114	795P0N12	MA3SS	7X3M3
6PHM-629	754P0B29	9MH114M	7K5P0N12	MA6	594M3
6PM622	714P0S22	9MH2	795P0N20	MA660	794M3
6PM622CG	714P0S22443	9MH212	795P0N25	MA6M	5K4M3
6PM625	714P0S25	9MH212M	7K5P0N25	MAB6	794M3L
6PM625CG	714P0S25443	9MH2M	7K5P0N20	MAB6M	7K4M3L
6PM627	714P0S27	9MH34	795P0N07	MAFS1	791M3FS
6PM629	714P0S29	9PH1	515P0N10	MAFS1-NP	771M3FS
87-3A013	513P0D30	9PH112	515P0N15	MAFS2	792M3FS
87-3A053	593C7M25	9PH112-CG	515P0N15443	MAFS2-NP	772M3FS
87-3A053-419	593C7M32	9PH114	515P0N12	MAFS3	793M3FS
87-3A053-420	593C7M40	9PH114-CG	515P0N12443	MB10	7T5F0000

260  MELTRIC

# New part number system for accessories

## accessory cross reference list

Old Part Number	New Part Number	Old Part Number	New Part Number
MB101	7T5F0N10	MB6112M	7K4F0N15
MB10112	7T5F0N15	MB6114	7T4F0N12
MB10112M	7K5F0N15	MB6114M	7K4F0N12
MB10114	7T5F0N12	MB612	7T4F0N05
MB10114-LS	7T5F0N12C3	MB61M	7K4F0N10
MB10114M	7K5F0N12	MB62	7T4F0N20
MB102	7T5F0N20	MB62M	7K4F0N20
MB10212	7T5F0N25	MB634	7T4F0N07
MB10212M	7K5F0N25	MB634TB	7T4F0N07C2
MB102M	7K5F0N20	MC212	512B3N05
MB20	7T6F0000	MC234	512B3N07
MB20112	7T6F0N15	MC31	513B3N10
MB20112-LS	7T6F0N15C3	MC312	513B3N05
MB20114	7T6F0N12	MC334	513B3N07
MB202	7T6F0N20	MC61	514B3N10
MB20212	7T6F0N25	MC6114	514B3N12
MB20212-LS	7T6F0N25C3	MC612	514B3N05
MB22	7T6F0000XL	MC634	514B3N07
MB2202	7T6F0N20XL	MP10	515M3
MB2203	7T6F0N30XL	MP10M	555M3
MB22212	7T6F0N25XL	MP2	512M3
MB3-0	7T1F0000	MP2M	552M3
MB31	7T1F0N10	MP3	513M3
MB3112	7T1F0N15	MP3M	553M3
MB3114	7T1F0N12	MP6	514M3
MB3114-LS	7T1F0N12C3	MP6M	554M3
MB3114-NP	771F0N12	MS1	591M0
MB312	7T1F0N05	MS10	595M0
MB312-LS	7T1F0N05C3	MS10M	5K5M0
MB3-12LS-NP	771F0N05C3	MS2	592M0
MB312-NP	771F0N05	MS20	596M0
MB312T&LS	7T1F0N05C6	MS3	593M0
MB31-34LS	7T1F0C21	MS6	594M0
MB31-34T	7T1F0C22	MS6M	5K4M0
MB3-1B-1LS-NP	771F0N10C7	MSPN	591M0
MB3-1B-34LS-NP	771F0C29	MSPN-185	571M0
MB31-LS	7T1F0N10C3		
MB31NP	771F0N10		
MB31-NP	771F0N10		
MB31SS	7X1F0N10		
MB334	7T1F0N07		
MB334-12B	7T1F0C9		
MB334-1B-1LS-NP	771F0C34		
MB334-1B-NP	771F0C22		
MB334-2BOT	7T1F0N07C27		
MB334-34LS-NP	771F0N07C6		
MB3-34B-NP	771F0N07C1		
MB334LS	7T1F0N07C3		
MB334-NP	771F0N07		
MB334-SS	7X1F0N07		
MB3SS	7X1F0000		
MB40DR-20	7T7F0N20		
MB40DR-25	7T7F0N25		
MB40DR-30	7T7F0N30		
MB40DR-35	7T7F0N35		
MB40DR-40	7T7F0N40		
MB6	7T4F0000		
MB6-0	7T4F0000		
MB61	7T4F0N10		
MB6112	7T4F0N15		

MELTRIC 261

REFERENCE