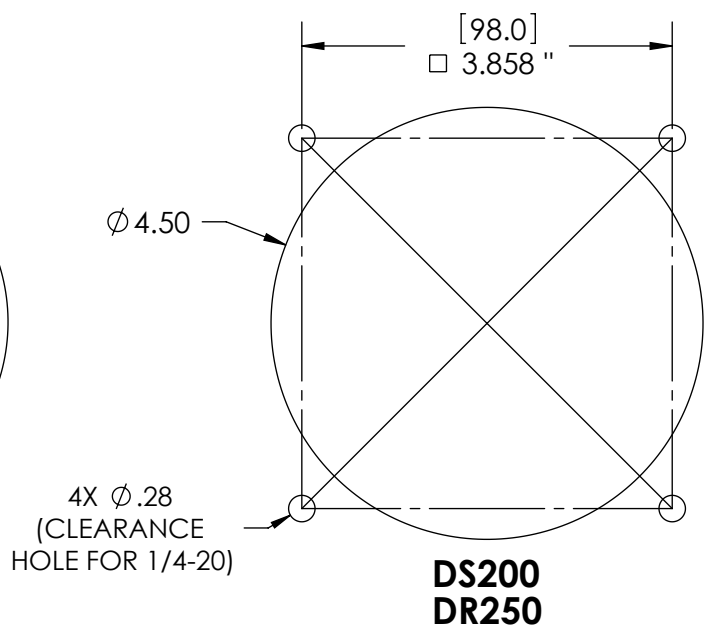
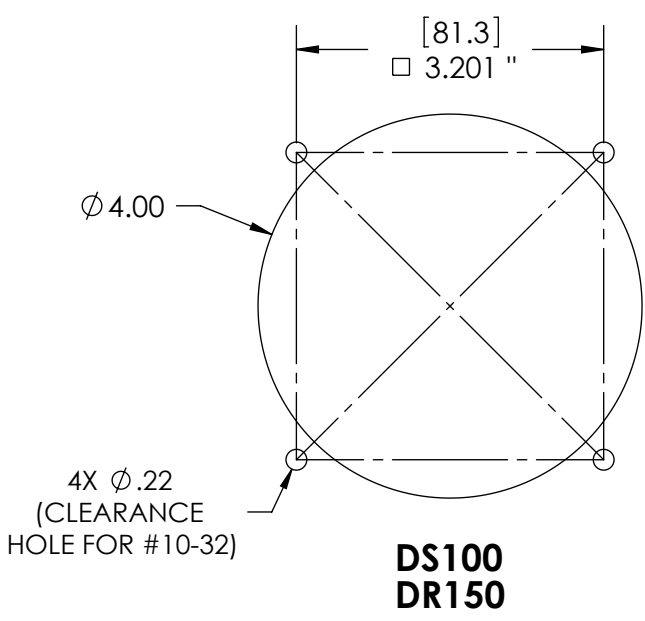
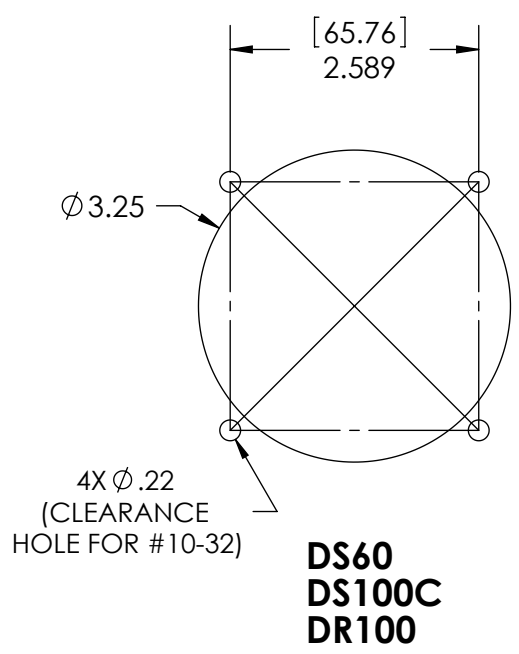
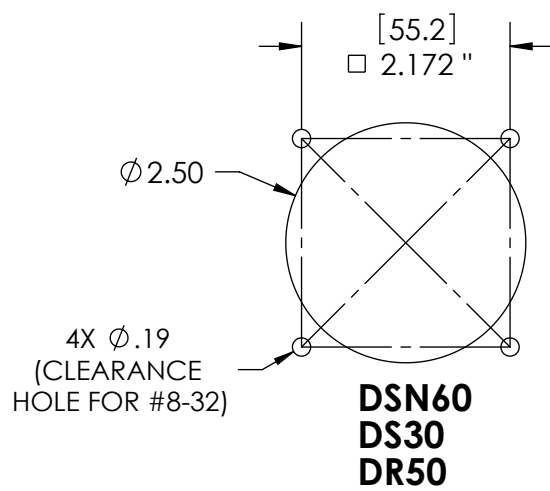
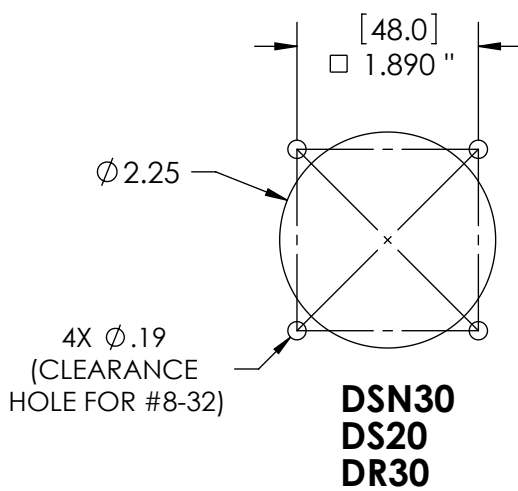
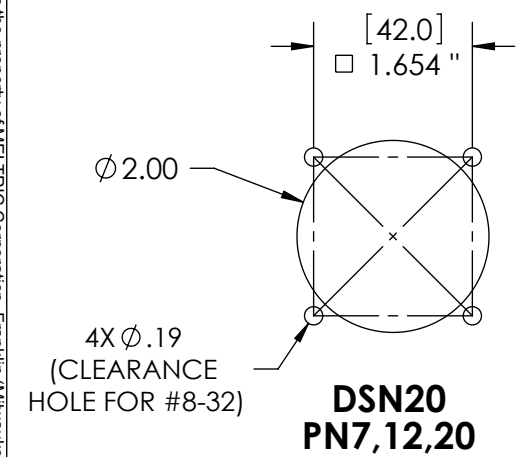
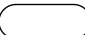



This drawing is the property of MELTRIC Corporation, Franklin (Milwaukee), Wisconsin, USA. Any unauthorized copying of this drawing by any means, ENG/RD/06 REV: 20 ISSUED DATE: 1/15/11 or disclosure of its contents to any person not authorized by MELTRIC Corporation or its agents to receive it, is strictly prohibited.

# MELTRIC DEVICE ENTRY HOLE PATTERNS



TOLERANCES UNLESS OTHERWISE SPECIFIED	
MACHINED SURFACES $\sqrt{125}$ MAX	<b>ENGLISH</b> 0.X $\pm 0.05$ 0.XX $\pm 0.01$ 0.XXX $\pm 0.005$
GROUND SURFACES $\sqrt{32}$ MAX	
ANGLE TOLERANCE $\pm 1^\circ$	
REMOVE BURRS & SHARP EDGES TO .015 MAX.	
 DIMENSIONS SHOWN IN OVALS ARE INSPECTION DIMENSIONS.	

		DRAWING TITLE:	
DRAWN	APPROVED	MELTRIC DEVICE ENTRYHOLE PATTERNS	
DATE:	SCALE	MATERIAL:	
	NTS		
SHEET:	PART NUMBER	REVISION	
1 OF 1	DEVICE ENTRY HOLE PATTERNS		