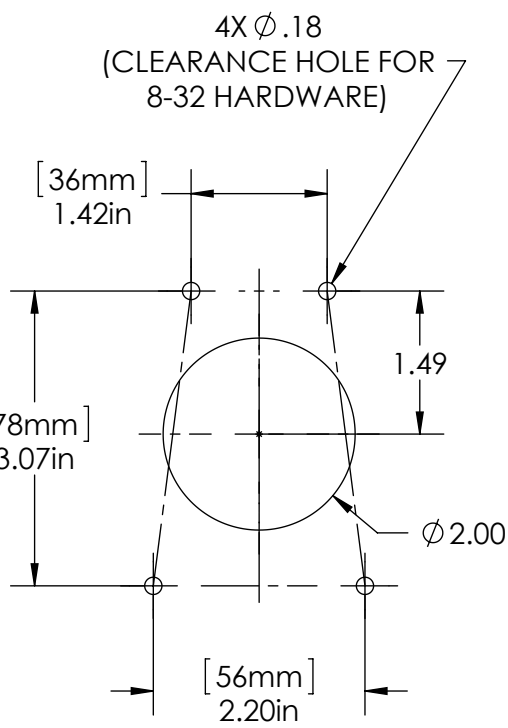
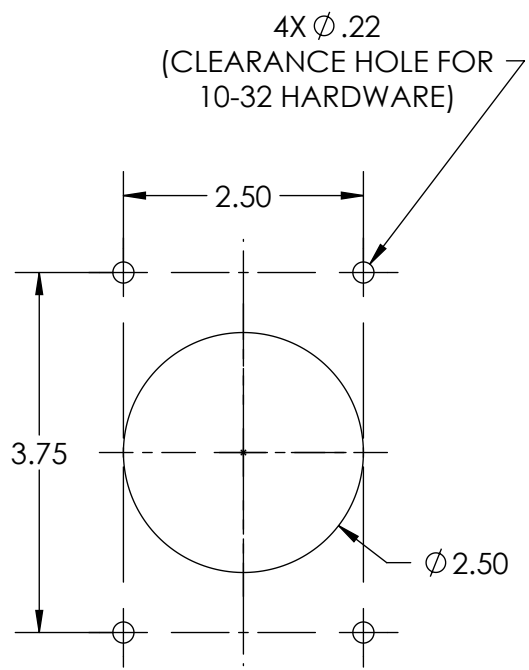


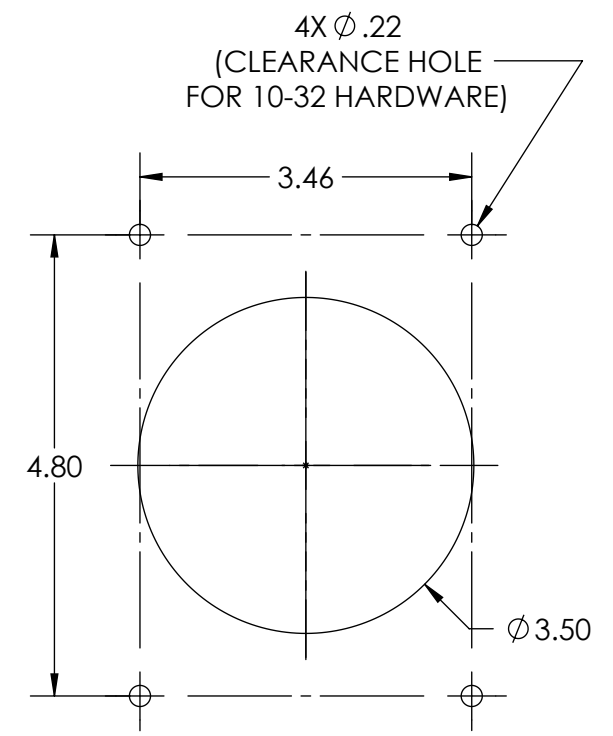
This drawing is the property of MELTRIC Corporation, Franklin (Milwaukee), Wisconsin, USA. Any unauthorized copying of this drawing by any means, ENG/RD/06 REV: 20 ISSUED DATE: 1/15/11 or disclosure of its contents to any person not authorized by MELTRIC Corporation or its agents to receive it, is strictly prohibited.



REQUIRES ADAPTER PLATE TO FIT MB3 JUNCTION BOX:
01-NA027, 22-1A027, 61-1A027.



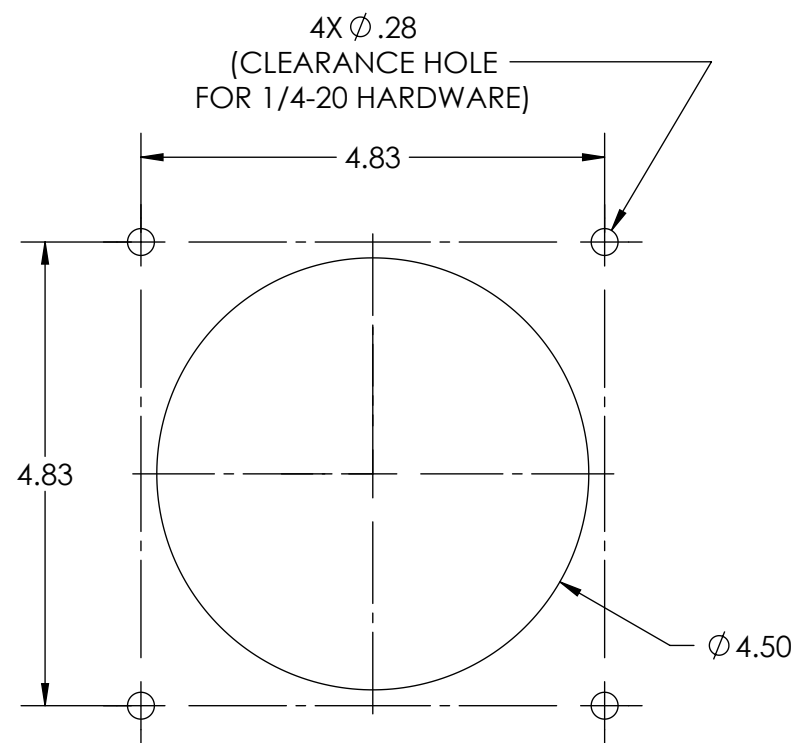
FITS MB3 JUNCTION BOX:
01-NA027-601,
09-NA027, 09-2A027-185, 09-2A027-SS,
22-3A027, 22-6A027,
45-3A027,
61-1A027-601, 61-3A027, 61-6A027,
89-3A027,
MA1, MA2, MA2SS, MA3, MA3SS,
MP2, MP3,
MS1, MS2, MS3, MSPN, MSPN-185.



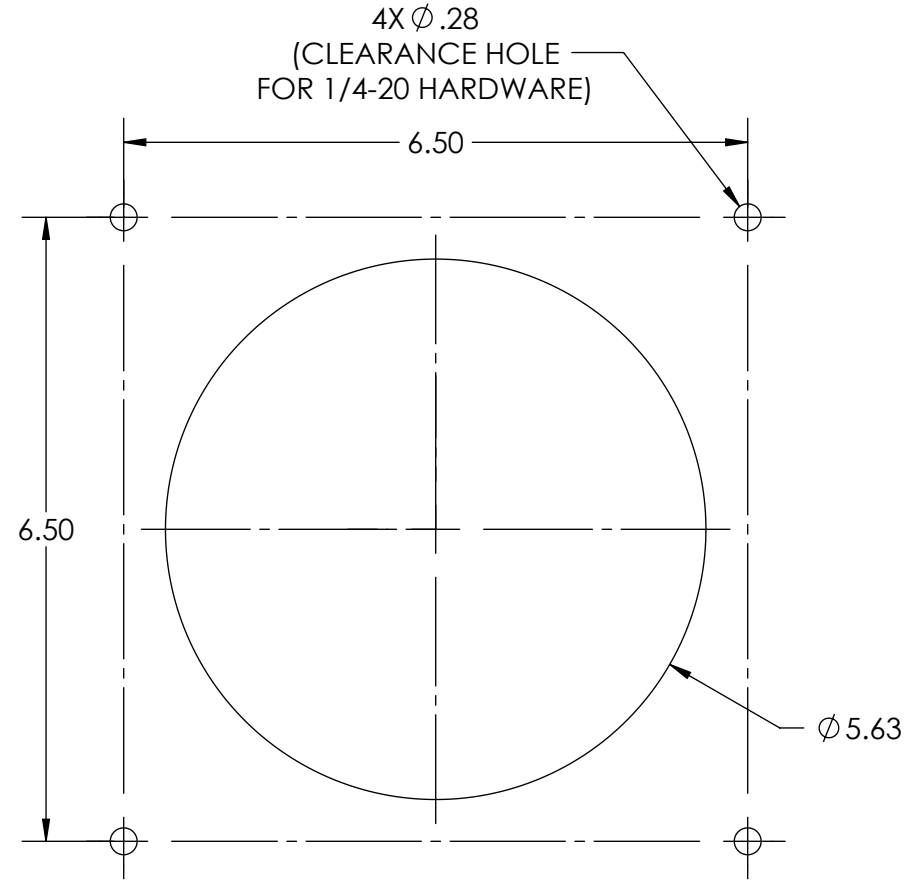
FITS MB6 JUNCTION BOX:
89-6A027,
MA6, MAB6,
MP6, MS6.

TOLERANCES UNLESS OTHERWISE SPECIFIED				DRAWING TITLE:	
MACHINED SURFACES $\sqrt{125} \text{ MAX}$	ENGLISH 0.X ±0.05 0.XX ±0.01 0.XXX ±0.005			MELTRIC ANGLE MOUNTING PATTERNS	
GROUND SURFACES $\sqrt{32} \text{ MAX}$		DATE:	SCALE	MATERIAL:	
ANGLE TOLERANCE ±1°		NTS			
REMOVE BURRS & SHARP EDGES TO .015 MAX.					
DIMENSIONS SHOWN IN OVALS ARE INSPECTION DIMENSIONS.		SHEET:	PART NUMBER		
		1 OF 2	ANGLE MTG PATTERNS		

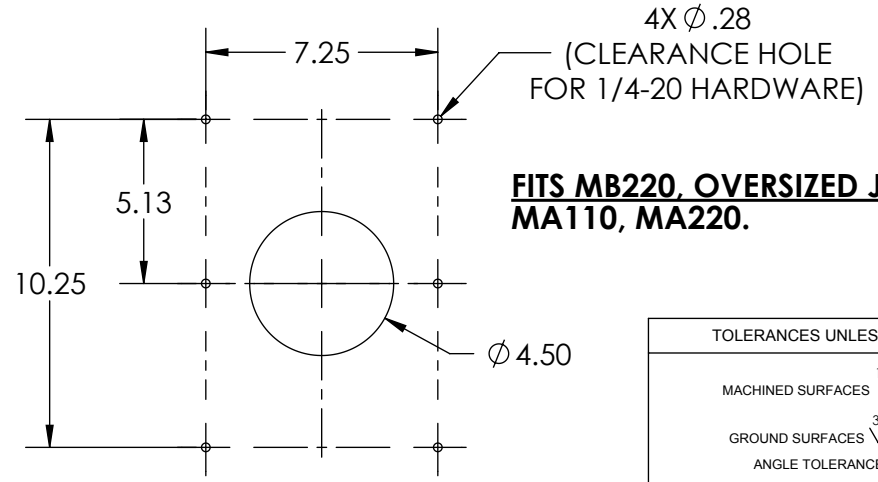
This drawing is the property of MELTRIC Corporation, Franklin (Milwaukee), Wisconsin, USA. Any unauthorized copying of this drawing by any means, ENG/RD/06 REV: 20 ISSUED DATE: 1/15/11 or disclosure of its contents to any person not authorized by MELTRIC Corporation or its agents to receive it, is strictly prohibited.



FITS MB10 JUNCTION BOX:
89-9A027,
MA10, MP10, MS10.



FITS MB20 JUNCTION BOX:
MA20, MS20.



FITS MB220, OVERSIZED JUNCTION BOX:
MA110, MA220.

TOLERANCES UNLESS OTHERWISE SPECIFIED				DRAWING TITLE:	
MACHINED SURFACES $\sqrt[125]{\text{MAX}}$	ENGLISH			MELTRIC ANGLE MOUNTING PATTERNS	
GROUND SURFACES $\sqrt[32]{\text{MAX}}$	0.X ±0.05	DATE:	SCALE	MATERIAL:	
ANGLE TOLERANCE ±1°	0.XX ±0.01		NTS	-	
REMOVE BURRS & SHARP EDGES TO .015 MAX.	0.XXX ±0.005	SHEET:	PART NUMBER		
DIMENSIONS SHOWN IN OVALS ARE INSPECTION DIMENSIONS.		2 OF 2	ANGLE MTG PATTERNS		