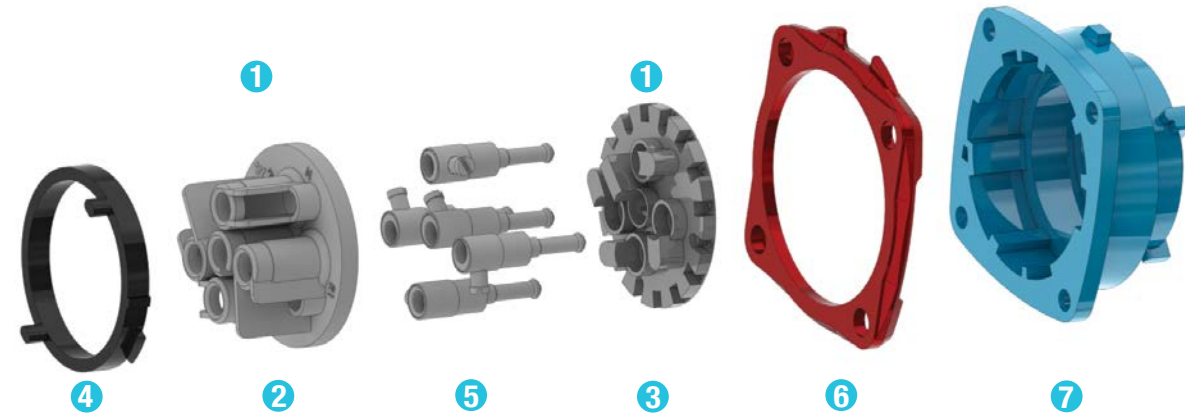


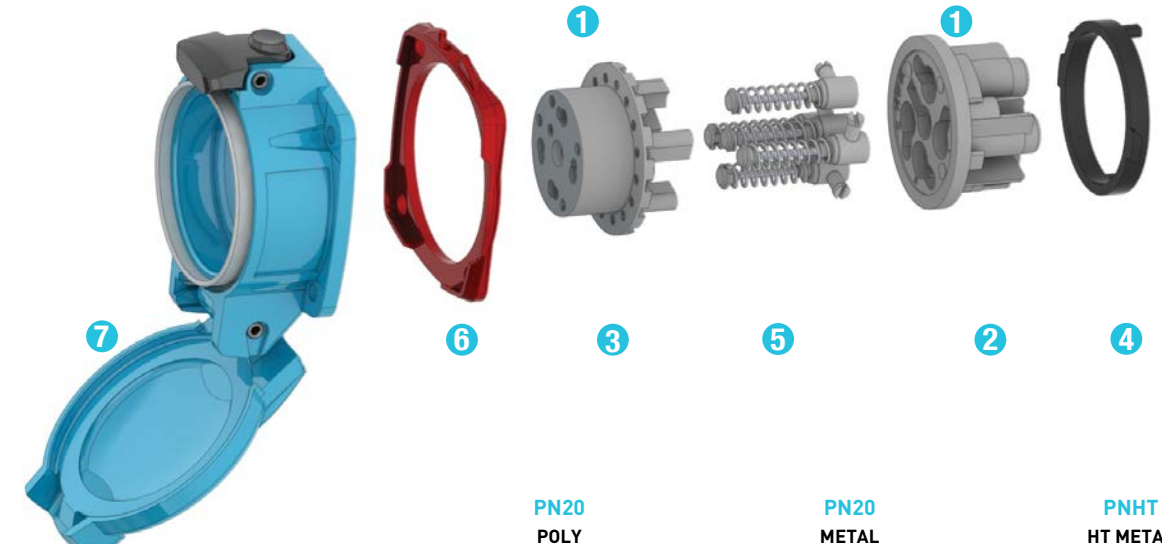
Male Configuration



	PN20 POLY	PN20 METAL	PNHT HT METAL																				
1 Plug Insulator	01-NA010	09-NA010	09-2A010-185																				
2 Insulator Bottom	01-NA010-B	09-NA010-B	09-2A010-185-B																				
3 Insulator Top	01-NA010-T	09-NA010-T	09-2A010-185-T																				
4 Locking Ring	01-NA583	09-NA583	09-2A583-185																				
5 Plug Contact	01-NA011	09-NA011	09-2A011-185																				
5 Plug Ground Contact	01-NA019	09-NA019	09-2A019-185																				
6 Color-Coded Voltage Gasket	<table border="1"> <tr><td>Yellow</td><td>01-NAJ26</td><td>09-NAJ26</td><td>-</td></tr> <tr><td>Blue</td><td>01-NAC26</td><td>09-NAC26</td><td>-</td></tr> <tr><td>Orange</td><td>01-NAB26</td><td>09-NAB26</td><td>-</td></tr> <tr><td>Red</td><td>01-NAR26</td><td>09-NAR26</td><td>-</td></tr> <tr><td>Black</td><td>01-NAN26</td><td>09-NAN26</td><td>-</td></tr> </table>	Yellow	01-NAJ26	09-NAJ26	-	Blue	01-NAC26	09-NAC26	-	Orange	01-NAB26	09-NAB26	-	Red	01-NAR26	09-NAR26	-	Black	01-NAN26	09-NAN26	-		
Yellow	01-NAJ26	09-NAJ26	-																				
Blue	01-NAC26	09-NAC26	-																				
Orange	01-NAB26	09-NAB26	-																				
Red	01-NAR26	09-NAR26	-																				
Black	01-NAN26	09-NAN26	-																				
7 Plug Casing	01-NA014	09-NA014	09-2A014-185																				

Please provide full part number for accurate part alignment.
 Part numbers in catalog are for current revisions, others may be available upon request.
 For replacement parts contact Customer Service at 800-433-7642.

Female Configuration



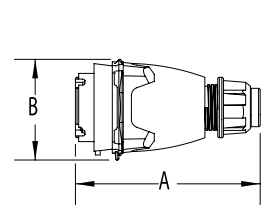
	PN20 POLY	PN20 METAL	PNHT HT METAL																				
1 Receptacle Insulator	01-NA020	09-NA020	09-2A020-185																				
2 Insulator Bottom	01-NA020-B	09-NA020-B	09-2A020-185-B																				
3 Insulator Top	01-NA020-T	09-NA020-T	09-2A020-185-T																				
4 Locking Ring	01-NA583	09-NA583	09-2A583-185																				
5 Receptacle Contact	01-NA021	09-NA021	09-2A021-185																				
5 Receptacle Ground Contact	01-NA029	09-NA029	09-2A029-185																				
6 Color-Coded Voltage Gasket	<table border="1"> <tr><td>Yellow</td><td>01-NAJ26</td><td>09-NAJ26</td><td>-</td></tr> <tr><td>Blue</td><td>01-NAC26</td><td>09-NAC26</td><td>-</td></tr> <tr><td>Orange</td><td>01-NAB26</td><td>09-NAB26</td><td>-</td></tr> <tr><td>Red</td><td>01-NAR26</td><td>09-NAR26</td><td>-</td></tr> <tr><td>Black</td><td>01-NAN26</td><td>09-NAN26</td><td>-</td></tr> </table>	Yellow	01-NAJ26	09-NAJ26	-	Blue	01-NAC26	09-NAC26	-	Orange	01-NAB26	09-NAB26	-	Red	01-NAR26	09-NAR26	-	Black	01-NAN26	09-NAN26	-		
Yellow	01-NAJ26	09-NAJ26	-																				
Blue	01-NAC26	09-NAC26	-																				
Orange	01-NAB26	09-NAB26	-																				
Red	01-NAR26	09-NAR26	-																				
Black	01-NAN26	09-NAN26	-																				
7 Receptacle Casing w/Lid	01-NA024	09-NA024	09-2A024-185																				

Please provide full part number for accurate part alignment.
 Part numbers in catalog are for current revisions, others may be available upon request.
 For replacement parts contact Customer Service at 800-433-7642.



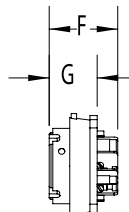
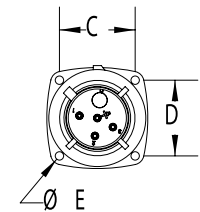
Dimensions are for reference only and may change depending on accessories used. For precise dimensions contact MELTRIC Engineering.

Plug

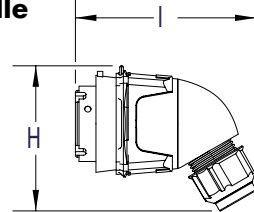


PRODUCT	A	B
PN	4.33	2.4

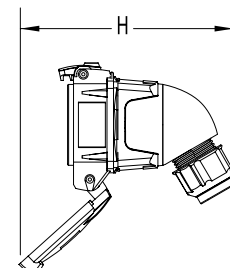
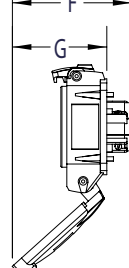
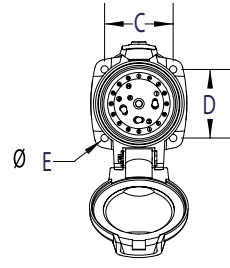
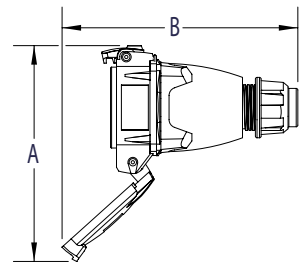
Inlet



Plug Angled Handle

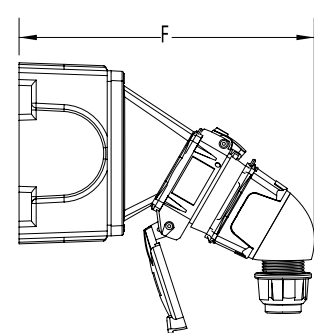
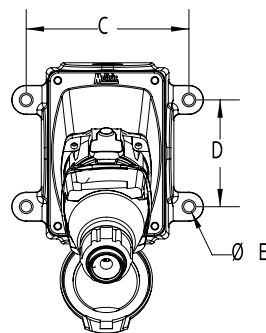
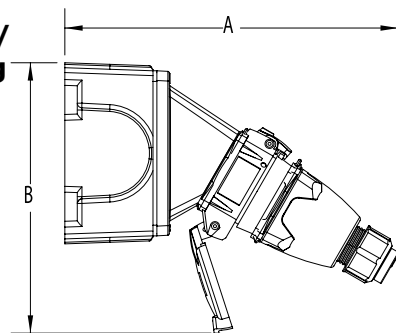


Connector



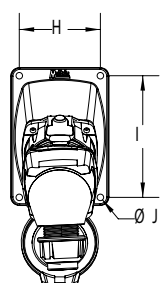
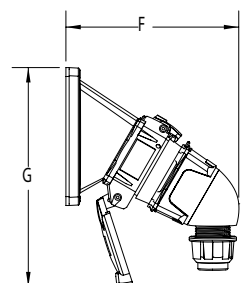
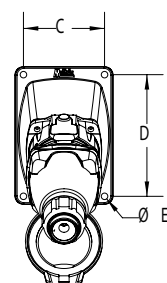
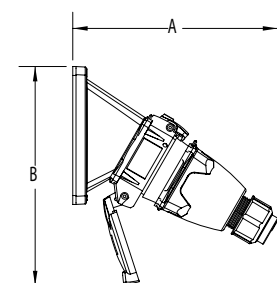
PRODUCT	A	B	C	D	E	F	G	H
PN	5.51	5.69	1.65	1.65	0.18	1.93	1.38	4.17

Box/30° Angle/Receptacle/Plug



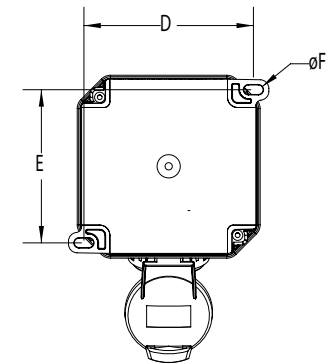
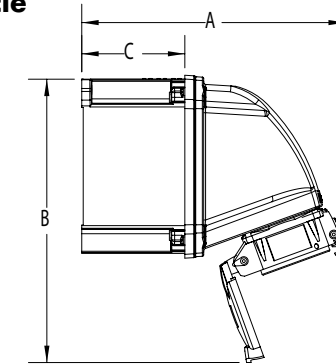
PRODUCT	A	B	C	D	E	F
PN	8.59	6.96	4.19	2.75	0.27	7.6

30° Angle/Receptacle/Plug



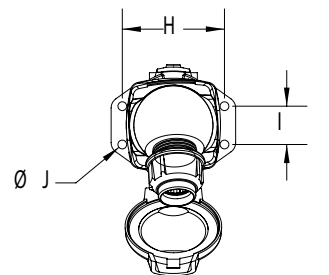
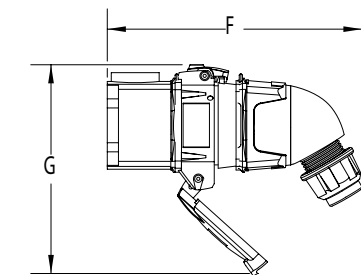
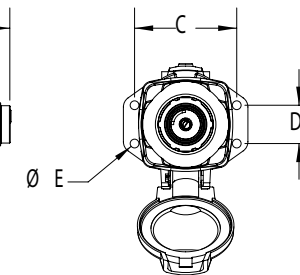
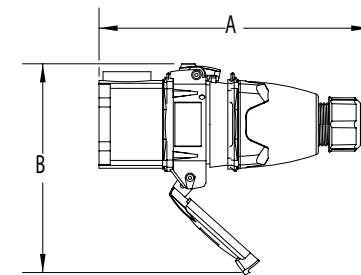
PRODUCT	A	B	C	D	øE	F	G	H	I	J
PN	6.32	6.76	2.5	3.75	0.2	5.33	6.76	2.5	3.75	0.2

70° Wall Box/Receptacle



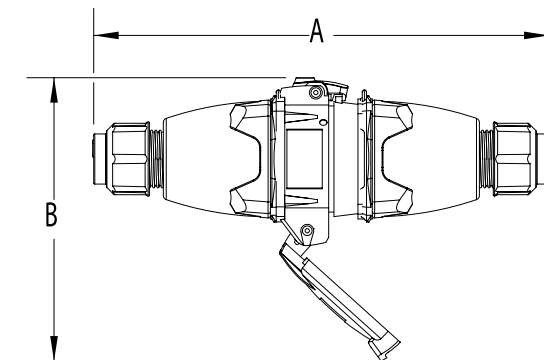
PRODUCT	A	B	C	D	E	F
PN	7.13	7.63	2.80	4.60	4.15	0.26

Straight Wall Box/Receptacle/Plug



PRODUCT	A	B	C	D	øE	F	G	H	I	J
PN	6.68	5.15	2.52	0.95	0.22	6.28	5.15	2.52	0.95	0.22

Connector/Plug



PRODUCT	A	B
PN	8.37	5.21