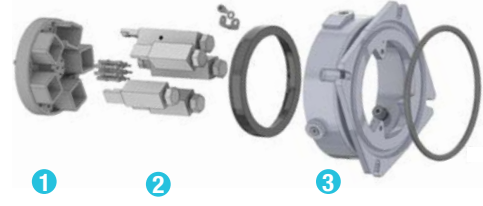


Male Configuration

PFQ pictured



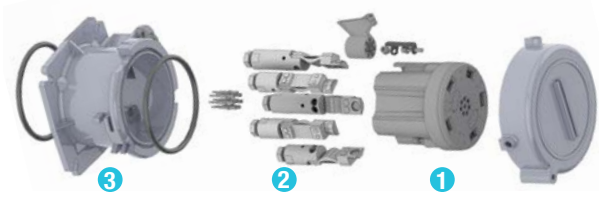
PF pictured



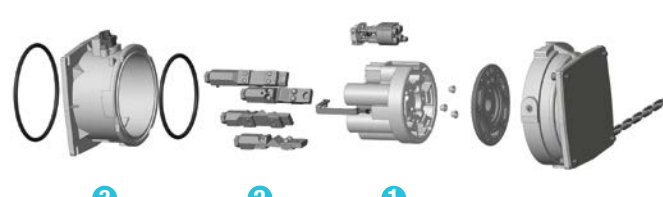
	PFQ300 METAL	PF300 METAL	PF400 METAL	PF600 METAL
1 Plug Insulator with Pilots	47-3A010	49-3A010	49-4A010	49-6A010
2 Phase Contact	47-3A011	49-3A011	49-4A011	49-6A011
2 Neutral Contact	47-3A011N	49-3A011N	49-4A011N	49-6A011N
2 Plug Ground Contact	47-3A019	49-3A019	49-4A019	49-6A019
3 Plug Metal Casing	47-3A014	49-3A014	49-4A014	49-6A014

Female Configuration

PFQ pictured



PF pictured



	PFQ300 METAL	PF300 METAL	PF400 METAL	PF600 METAL
1 Receptacle Insulator with Pilots	47-3A020	49-3A020	49-4A020	49-6A020
2 Phase Contact	47-3A021	49-3A021	49-4A021	49-6A021
2 Neutral Contact	47-3A021N	49-3A021N	49-4A021N	49-6A021N
2 Ground Contact	47-3A029	49-3A029	49-4A029	49-6A029
3 Receptacle Metal Casing	47-3A024	49-3A024	49-4A024	49-6A024
4 Cap	47-3A925	49-3A925	49-4A925	49-6A925

Part numbers in catalog are for current revisions, others may be available upon request.

Please provide full part number for accurate part alignment

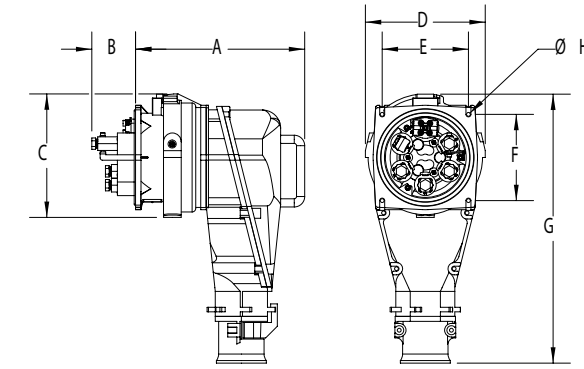
For replacement parts contact Customer Service at 800-433-7642.

DIMENSIONS – Provided in Inches



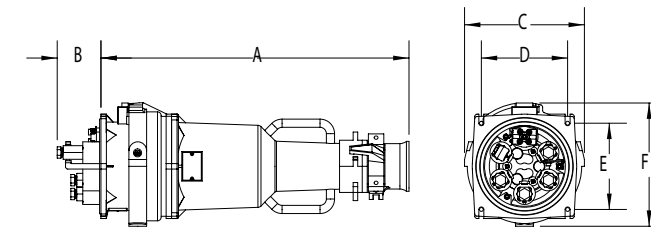
Dimensions are for reference only and may change depending on accessories used. For precise dimensions contact MELTRIC Engineering.

Angled Plug



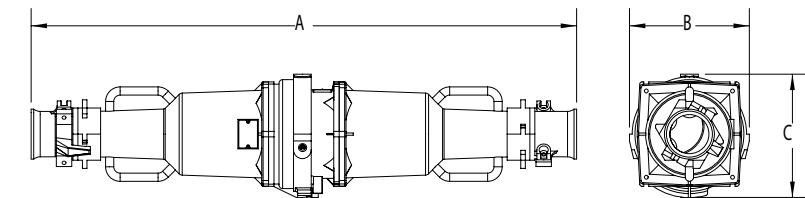
PRODUCT	A	B	C	D	E	F	G	H
PFQ	13.94	2.72	9.61	7.95	5.71	5.71	18.54	0.43
PF	14.67	3.79	10.71	10.39	7.48	7.48	23.33	0.43

Straight Plug



PRODUCT	A	B	C	D	E	F
PFQ	25.40	2.72	7.95	5.71	5.71	9.61
PF	26.72	3.79	10.39	7.48	7.48	10.69

Connector/Plug



PRODUCT	A	B	C
PFQ	46.50	9.61	7.95
PF	47.31	10.39	10.69