

HIGH AMPACITY Plugs & Receptacles

High amperage plugs and receptacles from MELTRIC offer superior safety and performance in harsh environments. Each high amperage product line features MELTRIC's exclusive contact technology along with advanced safety features and relatively easy plug insertion and removal.



PF/PFQ MULTI PHASE, TWIST TO CONNECT

P. 123

- 300 A to 600 A
- Silver pressure contacts
- Mechanical locking system



DR400 THREE PHASE, EASY PLUG INSERTION

P. 131

- 400 A, 600 V
- Silver-nickel, spring-loaded, butt-style contacts
- Easy closing mechanism



CS1000 SINGLE POLE, EASY TO OPERATE

P. 135

- 400 A, 600 V
- Silver-nickel, spring-loaded, butt-style contacts
- Locking pin prevents accidental disconnects



SP SINGLE POLE, EXCLUSIVE SAFETY FEATURES

P. 139

- 600 A (CSA), 700 A, (IEC)
- Silver, butt-style contacts
- Integral pilot circuit



DSP400 SINGLE POLE, ADDITIONAL PILOTS

P. 143

- 400 A, 480 V
- Silver-nickel, butt-style contacts
- Pass through pilot contacts

PF/PFQ

High Amperage



Main Advantages

- Durable in harsh environments
- Safety features provide maximum protection
- Easy plug insertion and removal

- Features and Ratings p. 124
- PF/PFQ 300-600 A p. 125
- PF/PFQ Lugs p. 127
- Spare Parts p. 129
- Dimensions p. 130

SCAN ME >>



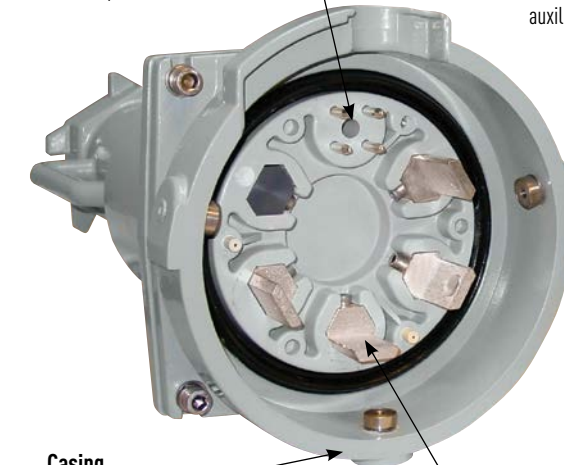
WATCH ME >>



PRODUCT FEATURES

Auxiliary Pilot Contacts

Provided for use with control circuits. They close after and open before the phase contacts.



Casing

Epoxy/powder coated aluminum material offers great resistance to harsh environments.

Mechanical Locking System

Ensures safety and watertightness. Mechanical lock secures the inlet to the receptacle and engages the auxiliary/pilot contacts.



Silver Pressure Contacts

Silver material and self-cleaning action provides maximum conductivity and performance in dirty and corrosive conditions.

Safety Shutter

Protects recessed female contacts and inhibits user access to live parts.

General Ratings

Amperage	300 to 600 A
Voltage	600 VAC, 250 VDC Max
Frequency	50-60 Hz (not UL at 50 Hz)
Environmental	IP66/IP67
Temperature	Min -40°F/Max 140°F

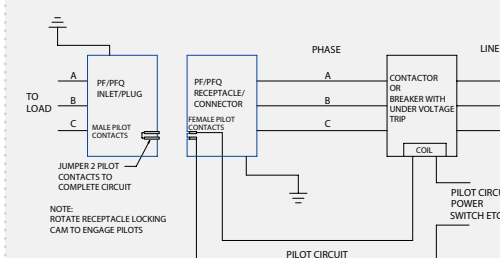
Listings

Category	UL	CSA	NOM
Plugs and Receptacles	UL 1682	C22.2 No. 182.1	NOM-003-SCFI-2014

Listings only apply to 300 A and 400 A devices at 600V or less.

Highlighted Feature

Pilot Contacts



Line diagram of typical PF pilot control circuit

For multiple devices in a parallel circuit, contact factory for example control circuit diagrams.

Category	PF	PFQ
# Contacts	4	8
Pilot Amperage	10 A standard duty	5 A @ 240 VAC
# Contacts	Mechanical	Mechanical
# Contacts	Screw	Pre-wired

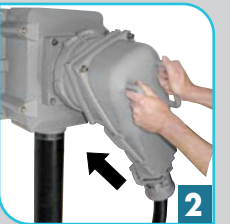
Listings only apply to 300 A and 400 A devices at 600V or less.

- Notes:**
- The mechanical locking of the plug to the receptacle via the rotation of a cam, closes the pilot contacts.
 - Failure to use a pilot/relay system can create an electrical shock/arc flash hazard.

Operating Instructions



PF devices are preferred for the ease of operation relative to pin and sleeve devices.



Insert the plug into the receptacle – this is done with little resistance relative to competitive devices.



Twist plug approximately 30° clockwise to engage the phase contacts and to make the unit watertight.



Turning the mechanical lock secures the inlet to the receptacle and closes the pilot circuit which energizes the shunt coil.

5 To disconnect, turn mechanical lock to disengage pilot contacts and de-energize the shunt coil. Twist plug 30° counterclockwise to disengage the phase contacts, withdraw plug.

PF/PFQ High Ampacity - 300-600 A

PF/PFQ

Handle Option Guide
pgs 237-238

INSTALLATION ACCESSORIES – SIZE C & F

When properly installed, all accessories meet or exceed the environmental ratings of the devices they are mounted to; unless otherwise noted.

UL/CSA Ratings

- Max Amperage & Voltage**
PFQ300 = 300 A, 600 VAC, 250 VDC
PF300 = 300 A, 600 VAC, 250 VDC
PF400 = 400 A, 600 VAC, 250 VDC
PF600 = 600 A, 600 VAC, 250 VDC
- Current Interruption Capability**
Not for current interrupting
- Environmental Ratings**
IP66/IP67
- Temperature Range**
Min -40°F/Max 140°F
See pg 254 for temperatures outside of this range.
- Wiring Capacity**
PFQ = 2 AWG to 600 MCM
PF = 2 AWG to 600 MCM
- Certifications**
UL 1682, CSA C22.2 NO. 182.1, NOM
Listings do not apply to PF600.

Don't forget to add installation accessories to your order

Receptacle/Cap (female)



PFQ shown

Inlet/Cap (male)



PFQ shown

North American Configurations

VOLTAGE	POLARITY	PART #		PART #	
		PFQ 300**	PF300	PFQ 300**	PF300
277 V	1P+N+G	47-34045	49-34045	47-38045	49-38045
347 V	1P+N+G	47-34145	49-34145	47-38145	49-38145
480 V	2P+G	47-34042	49-34042	47-38042	49-38042
277 480 V	2P+N+G	47-34046	49-34046	47-38046	49-38046
480 V	3P+G	47-34043	49-34043	47-38043	49-38043
277 480 V	3P+N+G	47-34047	49-34047	47-38047	49-38047
600 V	2P+G	47-34142	49-34142	47-38142	49-38142
347 600 V	2P+N+G	47-34146	49-34146	47-38146	49-38146
600 V	3P+G	47-34143	49-34143	47-38143	49-38143
347 600 V	3P+N+G	47-34147	49-34147	47-38147	49-38147

** PFQ300 devices are differentiated from similarly rated PF300 devices in their smaller size, lighter weight and different pilot contacts.

PF/PFQ devices are not intended for connection or disconnection under load. To prevent live making or breaking electrical interlocking is required.

Main Options Part

- Receptacle with no cap **Recept # - 48**
- Receptacle with lockout hole **Recept # - 843**
- Inlet with no cap **Inlet # - 48**
- Inlet with lockout hole **Inlet # - 843**

Notes:

- Metal caps are provided as standard with inlets and receptacles.
- Heat shrink wrap is provided with each inlet and receptacle to provide insulation between terminals.
- Lugs are not included.** The PF and PFQ contacts utilize bolt-on lug type wire terminals, which require a compression lug with a 9/16" or 5/8" hole. The angled handle requires straight lugs; the straight handle requires 90° lugs. See pgs 127-128

See pages 231-240 for detailed information on these options

Receptacle/Cap (female)



PF shown

Inlet/Cap (male)



PF shown

North American Configurations

VOLTAGE	POLARITY	PART #		PART #	
		PF400	PF600	PF400	PF600
277 V	1P+N+G	49-44045	49-64045	49-48045	49-68045
347 V	1P+N+G	49-44145	49-64145	49-48145	49-68145
480 V	2P+G	49-44042	49-64042	49-48042	49-68042
277 480 V	2P+N+G	49-44046	49-64046	49-48046	49-68046
480 V	3P+G	49-44043	49-64043	49-48043	49-68043
277 480 V	3P+N+G	49-44047	49-64047	49-48047	49-68047
600 V	2P+G	49-44142	49-64142	49-48142	49-68142
347 600 V	2P+N+G	49-44146	49-64146	49-48146	49-68146
600 V	3P+G	49-44143	49-64143	49-48143	49-68143
347 600 V	3P+N+G	49-44147	49-64147	49-48147	49-68147

HANDLES

METAL STRAIGHT HANDLE	ANGLE	PART #
PFQ300	0°	47-3A013-XXX
PF300	0°	49-3A013-XXX
PF400	0°	49-4A013-XXX
PF600	0°	49-6A013-XXX

METAL ANGLE HANDLE	ANGLE	PART #
PFQ300	90°	47-3A913-XXX

THREADED CLAMP WITH CABLE RANGE	SUFFIX #
2.000-2.125"	-200
2.125-2.250"	-225
2.250-2.375"	-237
2.375-2.500"	-250
2.500-2.750"	-275
2.750-3.000"	-300
3.000-3.125"	-312
3.125-3.350"	-335
3.350-3.577"	-350

NPT ADAPTER	NPT	SUFFIX #
2"		-N20
2 1/2"		-N25
3"		-N30

For available cord grips, see pg 159

90° ANGLED METAL HANDLE WITH BOLT-ON CLAMP	ANGLE	PART #
PF300/400/600	90°	49-6A913-XX

BOLT-ON CLAMP WITH CABLE RANGE	SUFFIX #
1.575"-1.968"	-50
1.968"-2.362"	-60
2.362"-2.756"	-70
2.756"-3.150"	-80
3.150"-3.543"	-90

NPT ADAPTER	NPT	SUFFIX #
2"		-N20
2 1/2"		-N25
3"		-N30

For available cord grips, see pg 159

Accessory Spotlight - Adapter



The adapter accessory allows the user to connect a third-party cord grip to the PF/PFQ handle.

BOXES

METAL BOX	PART #
PFQ300	MB40PFQ-XX
PF300	MB40-XX
PF400	MB40-XX
PF600	MB40-XX

This box is a heavy-duty powder coated aluminum back box with removable cover. Conduit entry hub up to 4" can be ordered on one or both ends or even on the back of the enclosure. Multiple hubs and sizes can be ordered for installs with parallel entry's on one end of the box.

HUB SIZES	NPT	XX (SUFFIX #)
2"		-20
2 1/2"		-25
3"		-30
3 1/2"		-35
4"		-40

MISC. ACCESSORIES

INLET METAL CAP	PART #
PFQ300	47-3A126
PF300	49-3A126
PF400	49-4A126
PF600	49-6A126

RECEPTACLE METAL CAP	PART #
PFQ300	47-3A925
PF300	49-3A925
PF400	49-4A925
PF600	49-6A925

WEIGHTS

PART	PF	PFQ
Inlet	15 lbs	9 lbs
Receptacle	25 lbs	12 lbs
Angled Handle	15 lbs	12 lbs
Straight Handle	10 lbs	10 lbs
Junction Box	45 lbs	45 lbs
Cap	12 lbs	3 lbs

Straight Barrel Lugs

! MELTRIC recommends using lugs with tangs that do not exceed 1 3/4".



! Lugs are not included with PF/PFQ devices - order separately

PART #	WIRE SIZE CLASS B, C	WIRE SIZE (FLEX) CLASS G, H, I, K, M, DLO
PFLUG1	1 AWG	2 AWG
PFLUG10	1/0 AWG	1 AWG
PFLUG20	2/0 AWG	1/0 AWG
PFLUG30	3/0 AWG	2/0 AWG
PFLUG40	4/0 AWG	3/0 AWG
PFLUG250	250 kcmil	4/0 AWG
PFLUG300	300 kcmil	250 kcmil (G, H)
PFLUG350	350 kcmil	250/262 kcmil (I, K, M, DLO)
PFLUG400	400 kcmil	300/313 kcmil
PFLUG500	500 kcmil	350/373 kcmil
PFLUG600	600 kcmil	400/444 kcmil
PFLUG650	650 kcmil	500/535 kcmil

Application Note

Installation Accessory: Angled Handle



Straight Barrel Lugs are used on PF/PFQ devices with angled handles.

90° Bent/Angle Lugs

! MELTRIC recommends using lugs with tangs that do not exceed 1 3/4".



! Lugs are not included with PF/PFQ devices - order separately

PART #	WIRE SIZE CLASS B, C	WIRE SIZE (FLEX) CLASS G, H, I, K, M, DLO
PFLUG1-90	1 AWG	2 AWG
PFLUG10-90	1/0 AWG	1 AWG
PFLUG20-90	2/0 AWG	1/0 AWG
PFLUG30-90	3/0 AWG	2/0 AWG
PFLUG40-90	4/0 AWG	3/0 AWG
PFLUG250-90	250 kcmil	4/0 AWG
PFLUG300-90	300 kcmil	250 kcmil (G, H)
PFLUG350-90	350 kcmil	250/262 kcmil (I, K, M, DLO)
PFLUG400-90	400 kcmil	300/313 kcmil
PFLUG500-90	500 kcmil	350/373 kcmil
PFLUG600-90	600 kcmil	400/444 kcmil
PFLUG700-90	700 kcmil	500/535 kcmil

Application Note

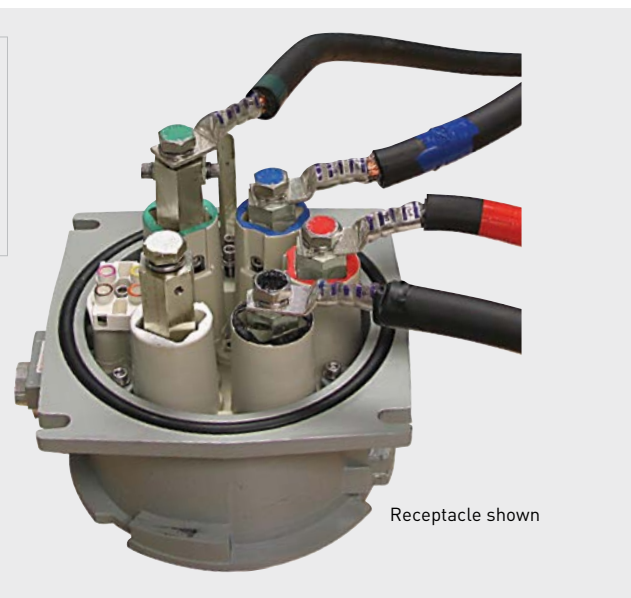
Installation Accessory: Straight Handle



90° Bent Lugs are used on PF/PFQ devices with straight handles.



! Apply heat shrink over lugs at terminals (supplied but not shown).



Receptacle shown



! Apply heat shrink over lugs at terminals (supplied but not shown).

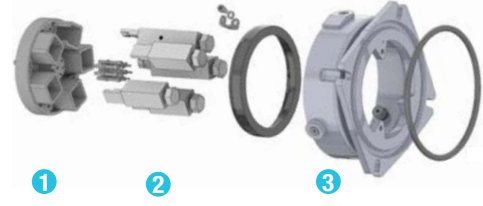


Inlet shown



Male Configuration

PFQ pictured



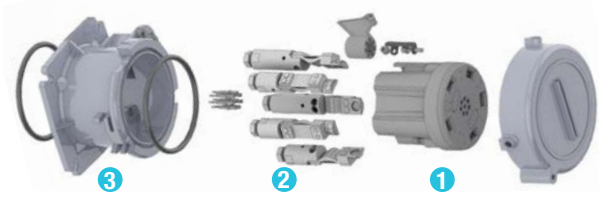
PF pictured



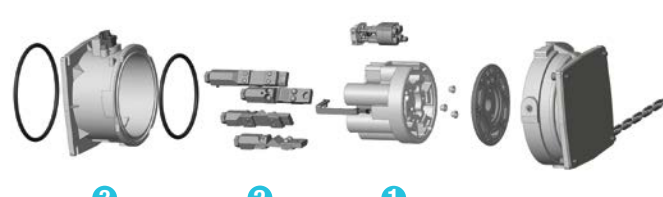
	PFQ300 METAL	PF300 METAL	PF400 METAL	PF600 METAL
1 Plug Insulator with Pilots	47-3A010	49-3A010	49-4A010	49-6A010
2 Phase Contact	47-3A011	49-3A011	49-4A011	49-6A011
2 Neutral Contact	47-3A011N	49-3A011N	49-4A011N	49-6A011N
2 Plug Ground Contact	47-3A019	49-3A019	49-4A019	49-6A019
3 Plug Metal Casing	47-3A014	49-3A014	49-4A014	49-6A014

Female Configuration

PFQ pictured



PF pictured



	PFQ300 METAL	PF300 METAL	PF400 METAL	PF600 METAL
1 Receptacle Insulator with Pilots	47-3A020	49-3A020	49-4A020	49-6A020
2 Phase Contact	47-3A021	49-3A021	49-4A021	49-6A021
2 Neutral Contact	47-3A021N	49-3A021N	49-4A021N	49-6A021N
2 Ground Contact	47-3A029	49-3A029	49-4A029	49-6A029
3 Receptacle Metal Casing	47-3A024	49-3A024	49-4A024	49-6A024
4 Cap	47-3A925	49-3A925	49-4A925	49-6A925

Part numbers in catalog are for current revisions, others may be available upon request.

Please provide full part number for accurate part alignment

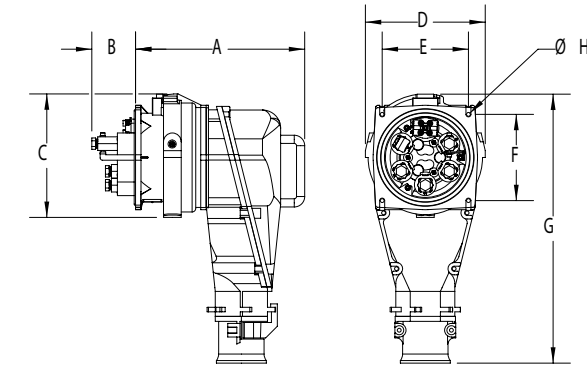
For replacement parts contact Customer Service at 800-433-7642.

DIMENSIONS – Provided in Inches



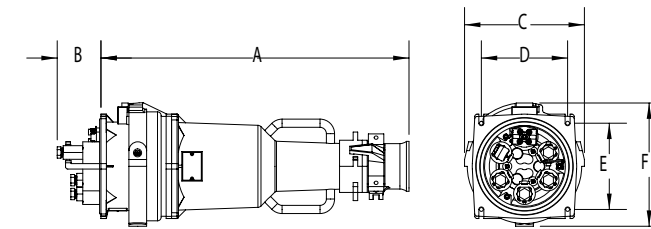
Dimensions are for reference only and may change depending on accessories used. For precise dimensions contact MELTRIC Engineering.

Angled Plug



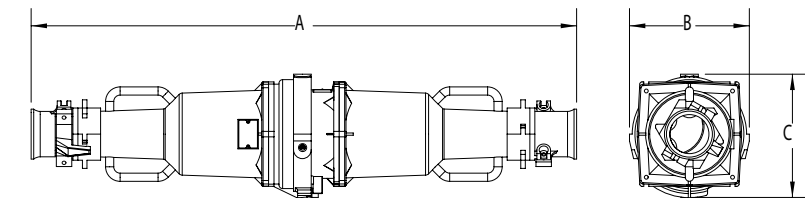
PRODUCT	A	B	C	D	E	F	G	H
PFQ	13.94	2.72	9.61	7.95	5.71	5.71	18.54	0.43
PF	14.67	3.79	10.71	10.39	7.48	7.48	23.33	0.43

Straight Plug



PRODUCT	A	B	C	D	E	F
PFQ	25.40	2.72	7.95	5.71	5.71	9.61
PF	26.72	3.79	10.39	7.48	7.48	10.69

Connector/Plug



PRODUCT	A	B	C
PFQ	46.50	9.61	7.95
PF	47.31	10.39	10.69

DR400

High Amperage



Main Advantages

- Exclusive contact technology maximizes performance and durability
- Safety features protect workers
- Easy plug insertion and removal

- Features and Ratings p. 132
- DR400 p. 133
- Dimensions p. 134

SCAN ME >>



PRODUCT FEATURES

Locking Pawl (padlockable)

Prevents accidental disconnection and makes Lockout/Tagout easy.

5/16" hole

Silver-Nickel Contact Material

Solid silver-nickel contact surfaces provide superior conductivity, durability and corrosion resistance.

2 Pilot Contacts (not visible)

Provides a secondary circuit to monitor parameters or control equipment.

Easy Closing Mechanism

Users can mate the plug to the receptacle with relative ease.

Safety Shutter

Helps prevent user access to live parts.

Spring Assisted Screw Terminals

Patented design ensures "Tighten and Forget" confidence.

Plug Lockout Provision (not visible)

Lockout hole on inlet allows plug to be locked out and tagged out.

General Ratings

Amperage	400 A at 600 VAC
Environmental	Type 4X, IP69/IP69K
Temperature	Min -40°F/Max 140°F

Highlighted Feature

Silver-Nickel, Spring-Loaded Butt-Style Contacts



Solid Silver-Nickel, Spring-Loaded Butt Style Contacts maintain optimal contact pressure and superior conductivity even in dirty, corrosive environments.

Listings

Category	UL	CSA	NOM
Plugs and Receptacles	UL 1682	C22.2 No. 182.1	NOM-003-SCFI-2014

Operating Instructions



Partially insert the plug.



Place the closing mechanism around tabs on inlet.



Push the handles up, the plug is fully drawn into the receptacle.



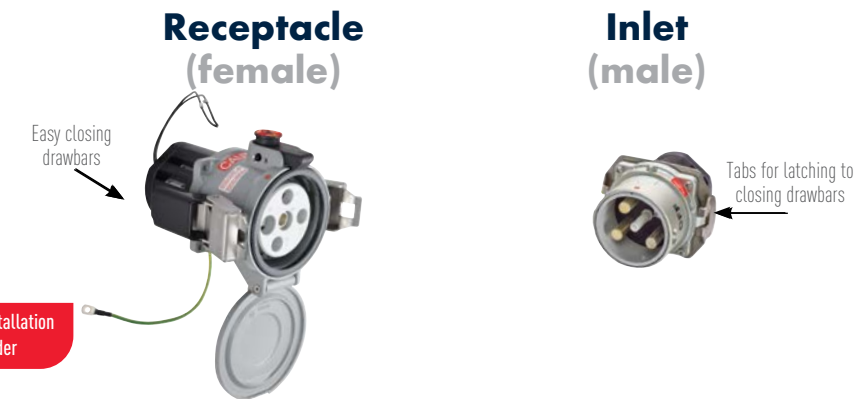
Use the locking tool and turn clockwise to tighten screw.

DR400 Standard Duty - 400 A

DR400

UL/CSA Ratings

- Max Amperage & Voltage**
400 A, 600 VAC
- Current Interruption Capability**
Not for current interrupting
- Short Circuit Rating**
18 kA
A withstand test was performed with RK1 current limiting fuses sized at at least 100% of the device's ampacity rating.
- Environmental Ratings**
Type 4X/IP66/IP67/IP69/IP69K
- Temperature Range**
Min -40°F/Max 140°F
See pg 254 for temperatures outside of this range.
- Wiring Capacity**
Min 2 AWG Max 350 MCM*
Aux Contacts - Prewired 14 AWG
* Wire size to 500 MCM can be accommodated through use of Cable Reducing Adapters. See Accessory Spotlight.
- Certifications**
UL 1682, CSA C22.2 NO. 182.1, NOM



Don't forget to add installation accessories to your order

North American UL/CSA Configurations

VOLTAGE	POLARITY	PART # METAL	PART # METAL
208 V	3P+G+2PIL	39-44163-172	39-48163-172
250 V	3P+G+2PIL	39-44073-172	39-48073-172
480 V	3P+G+2PIL	39-44043-172	39-48043-172
600 V	3P+G+2PIL	39-44143-172	39-48143-172

Other voltage configurations are available - contact Customer Service at 800-433-7642

For international configurations and ratings (IEC,CE) visit meltric.com/international-catalog or contact Customer Service at 800-433-7642.



INSTALLATION ACCESSORIES – SIZE 7

When properly installed, all accessories meet or exceed the environmental ratings of the devices they are mounted to; unless otherwise noted.

HANDLES

LARGE HANDLE WITH NPT	PART #
2"	5T7P0N20
2 1/2"	5T7P0N25
3"	5T7P0N30

LARGE METAL HANDLE WITH CORD GRIP, MESH AND CABLE RANGE

CABLE RANGE	PART #	NPT	PART #
2.062-2.188"	5T7P0JT1		
2.188-2.312"	5T7P0JT2		
2.312-2.438"	5T7P0JT3*		
2.437-2.625"	5T7P0KT1		
2.625-2.812"	5T7P0KT2		

May require stripping of cable jacket.

STRAIGHT HANDLE

CABLE RANGE	PART #	NPT	PART #
1.57-1.97"	5K6P0D50	1 1/2"	5K6P0N15L
2.01-2.36"	5K6P0D60	2"	5K6P0N20L
2.40-2.76"	5K6P0D70	2 1/2"	5K6P0N25L
2.79-3.15"	5K6P0D80	3"	5K6P0N30L

ANGLES

METAL ANGLE	PART #
0°	5T7M0
60° Extended	5T7M6

BOXES

METAL BOX WITH NPT	PART #
0° 2"	7T7F0N20
0° 2 1/2"	7T7F0N25
0° 3"	7T7F0N30
0° 3 1/2"	7T7F0N35
0° 4"	7T7F0N40

Requires Angle Adapter.

MISCELLANEOUS ACCESSORIES

PROTECTIVE INLET/PLUG CAP	PART #	DESCRIPTION
	39-2A426	For Inlet/Plugs Only.
CABLE REDUCING ADAPTERS (ORDER 1 FOR EACH TERMINAL)		
	PT535FX350-3	Reducer for 500 MCM Fine Stranded or Flexible Wire.
	PT500R350-3	Reducer for 500 MCM Coarse Stranded or Building Wire.
	PT400R350-3	Reducer for 400 MCM Wire.
INLET COMPATIBILITY KIT		
	39-4A396	
SPACER		
	5K7M0-68	68 mm (2.68") spacer is used (included) with metal 60° angle.
PADLOCKABLE INLET/PLUG CAP		
	DS2MC	Aluminum - For Inlets/Plugs Only. -A155 suffix required on inlet part # to retain water ingress protection.
RECEPTACLE LOCKING PIN		
	LP-843	Requires Padlockable Pawl option (-843) on receptacle.

Key Feature

Standard Locking Pawl



DR400 receptacles are provided with a screw-type locking pawl that prevents accidental disconnections under load.

RECEPTACLE OPTIONS	SUFFIX #	INLET OPTIONS	SUFFIX #
Self-Returning Lid (Manual Close)	Recept # -NC	Without Lockout Hole	Inlet # -A155

Order Example: DR400 with Cable Reducing Adapters

To accommodate 500 MCM cable, cable reducing adapters and an extended angle with spacer accessory is required.

Typical order: 480 V 3P+G+2PIL



DIMENSIONS – Provided in Inches

Dimensions are for reference only and may change depending on accessories used. For precise dimensions contact MELTRIC Engineering.



PRODUCT	A	B	C	D	øE	F	G	H	I	J	K	L	øM
DR400	6.61	3.48	3.86	3.86	0.26	8.51	5.03	9.62	14.29	3.86	3.86	7.85	0.26

PRODUCT	A	B	C	D	E	F	G	H	I
DR400	24.62	9.50	13.3	10.22	18.29	7.36	6.5	0.28	6.5

CS1000



Main Advantages

- High Amperage Capacity up to 400 A at 600 VAC, 600 VDC (in North America) or 500 A at 1000 VAC, 1500 VDC (in Europe - CE rated)
- Safety features protect users from live parts and prevent unwanted disconnection
- Silver-nickel, butt-style contacts provide superior performance and corrosion resistance

- Features and Ratings p. 136
- CS1000 p. 137
- Dimensions p. 138

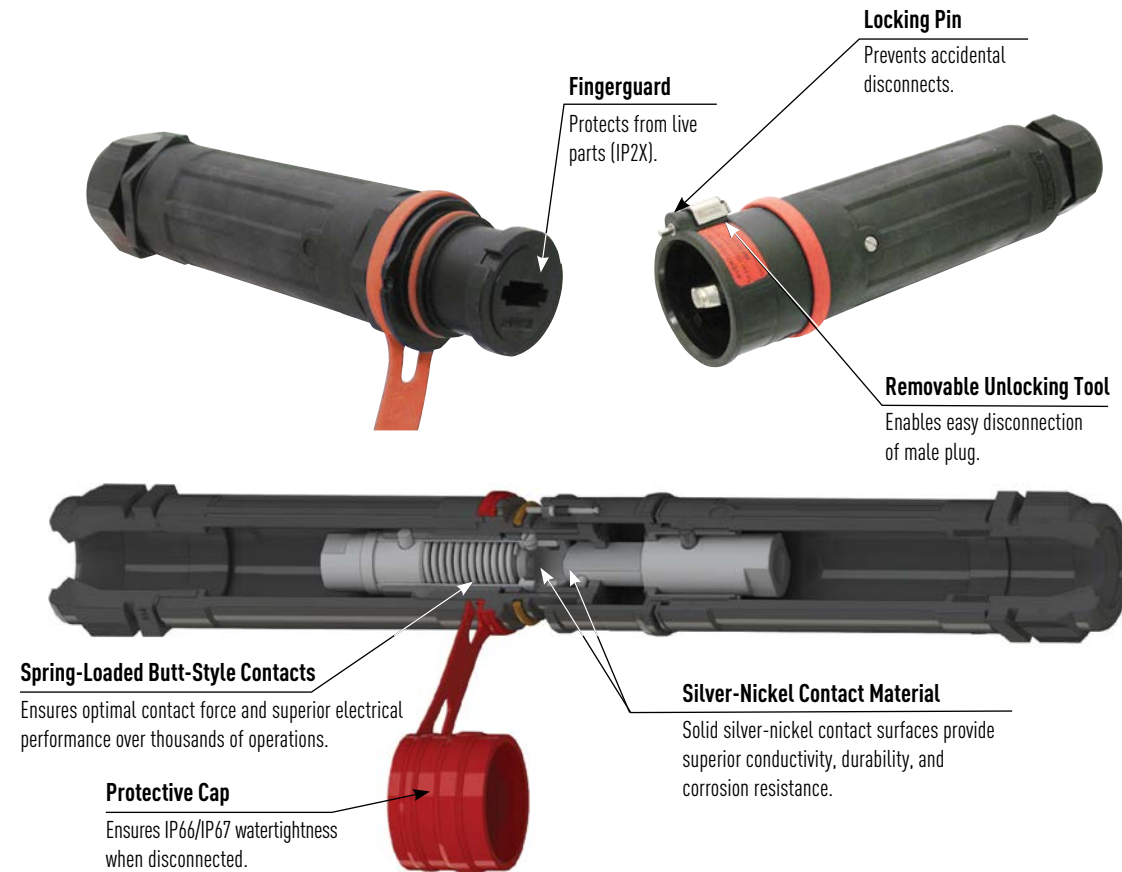
SCAN ME >>



WATCH ME >>



PRODUCT FEATURES



Operating Instructions

Connection



Disconnection

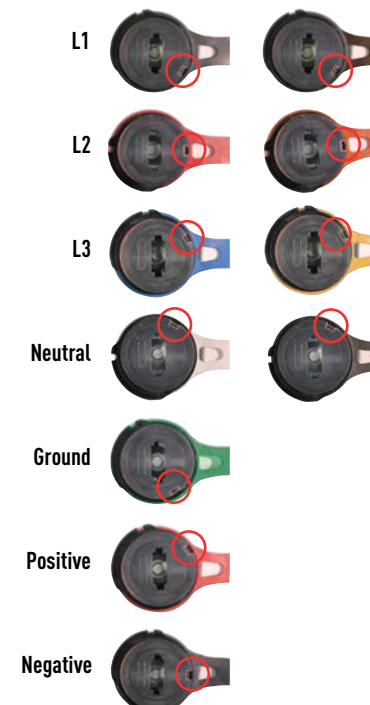


General Ratings

	North American	International
Amperage	400 A	500 A
Voltage*	600 VAC, 600 VDC	1000 VAC, 1500 VDC
Frequency	60-400 Hz	60-400 Hz
Environmental	IP66/IP67	IP66/IP67
Temperature	Min -40°F/Max 140°F	Min -40°F/Max 140°F

Highlighted Feature

5 Mechanical Keying Positions (North America color codes shown.)



Listings

Category	UL	CSA	IEC	NOM
Single Pole Plugs and Receptacle	UL 1691	CSA 1691-12	60309-1	NOM-003-SCFI-2014

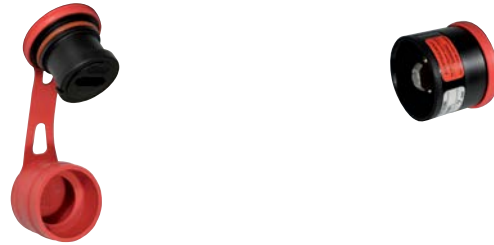
CS1000 Standard Duty - 400 A

CS1000

UL/CSA Ratings

- Max Amperage**
400 A
Not for Current Interrupting
- Voltage**
600 VAC, 600 VDC
- Short Circuit Rating**
10 kA Withstand
Testing was performed with RK1 current limiting fuses sized at least 100% of the device's ampacity rating.
- Environmental Ratings**
IP66/IP67
- Temperature Range**
Min -40°F/Max 140°F
See pg 254 for temperatures outside of this range.
- Wiring Capacity**
Min 1/0 AWG / Max 444 MCM
90°C rated wire required
- Applicable Standards**
UL 1691, CSA 1691-12, NOM

Receptacle (female) without lug Inlet (male) without lug



! Don't forget to add installation accessories to your order

North American Configurations

VOLTAGE	POLARITY	RECEPTACLE PART # WITHOUT LUG	INLET PART # WITHOUT LUG
≤ 250 V	L1	44-34001-P80	44-38001-P80
≤ 250 V	L2	44-34002-P80	44-38002-P80
≤ 250 V	L3	44-34003-P80	44-38003-P80
≤ 250 V	NEUTRAL	44-3400N-P80	44-3800N-P80
	GROUND	44-3400T-P80	44-3800T-P80
	POSITIVE	44-3400P-P80	44-3800P-P80
	NEGATIVE	44-3400M-P80	44-3800M-P80
> 250 V	L1	44-34001-P88	44-38001-P88
> 250 V	L2	44-34002-P88	44-38002-P88
> 250 V	L3	44-34003-P88	44-38003-P88
> 250 V	NEUTRAL	44-3400N-P88	44-3800N-P88

IEC/CE Configurations

IEC/CE Ratings

- Max Amperage**
500 A
Not for Current Interrupting
- Voltage**
1000 VAC, 1500 VDC
- Environmental Ratings**
IP66/IP67
- Temperature Range**
Min -40°F/Max 140°F
See pg 254 for temperatures outside of this range.
- Wiring Capacity**
Min 1/0 AWG / Max 444 MCM
185 mm² stranded
- Applicable Standards**
CE

EUROPEAN COLOR CODE	POLARITY	PART # POLY	PART # POLY
Brown	L1	4534001	4538001
Black	L2	4534002	4538002
Grey	L3	4534003	4538003
Blue	NEUTRAL	453400N	453800N
Green	GROUND	453400T	453800T
Red	POSITIVE	453400P	453800P
Black	NEGATIVE	453400M	453800M

INSTALLATION ACCESSORIES – SIZE M

When properly installed, all accessories meet or exceed the environmental ratings of the devices they are mounted to; unless otherwise noted.

ANGLES	POLY ANGLE		ACCESSORIES	
	ANGLE	PART #	DESCRIPTION	ACCESSORIES
POLY ANGLE	0°	453A540	Required for mounting on panels, walls, etc.	INLET CAP 453A126 UNLOCKING TOOL 453A396
	30°	453A027	With Adapter Plate.	PADLOCKING TOOL 453A843

Use with angle 30° or direct mount. Bolt included.

Use with handle for cord mounting.

CRIMPING LUGS	INTERNAL DIAMETER		STRAIGHT W/TERMINAL	STRAIGHT THREADED	FLEXIBLE WIRING*	COARSE WIRING
	in	mm	PART #	PART #	AWG	AWG
	.43	11	454A50C	454A50D	1/0 ^A	2/0
	.51	13.1	454A70C	454A70D	2/0, 3/0	3/0, 4/0
	.57	14.5	454A95C	454A95D	4/0	250
	.64	16.2	454A12C	454A12D	262	300
	.71	18	454A15C	454A15D	300, 313	350
	.81	20.6	454A18C	454A18D	350 ⁺ , 373	400, 500
	.91	23.1	454A24C	454A24D	444 ⁺ , 500, 535	600

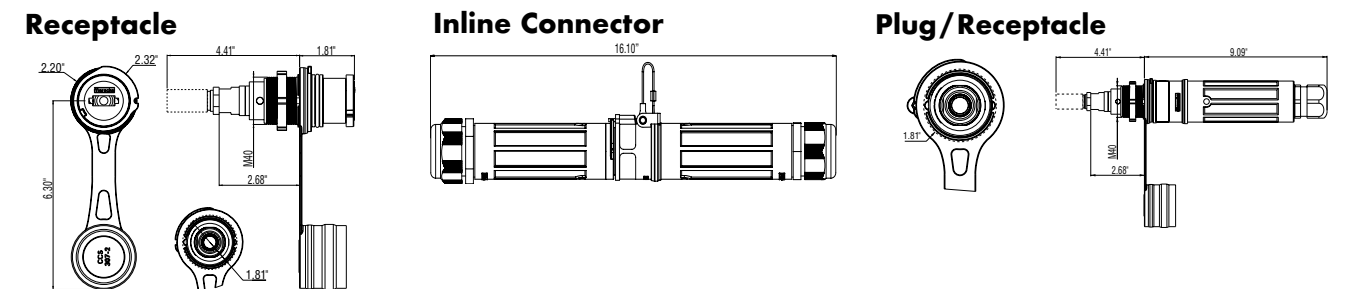
Notes: * Class H & I. ^A The ground conductor shall be limited to a maximum size of 1/0 AWG. UL listing performed with Greenlee EK6IDL11 dieless tool and Dewalt DCE300M2 with Greenlee KC12 dies. + Only for use with Greenlee EK6IDL11 dieless tool.

HANDLES	HANDLE		HANDLE WITH CORD GRIP (MESH)	
	CABLE OUTSIDE DIAMETER	PART #	CABLE OUTSIDE DIAMETER	PART #
 Not UL/CSA listed	0.50-1.00"	453A753	0.50-0.63"	44-3A753-A
	0.70-1.26"	453A783	0.56-0.69"	44-3A753-B
			0.63-0.75"	44-3A753-C
			0.69-0.81"	44-3A753-D
			0.75-0.88"	44-3A753-E

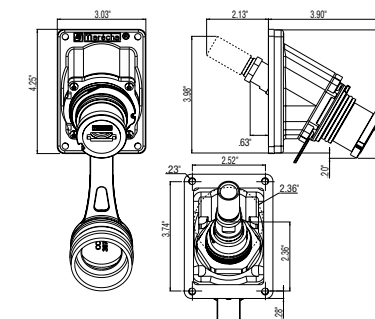
Normal Duty 100 lb grip. Heavy-Duty 300 lb grip.

Dimensions Inlet/Receptacle – Provided in Inches

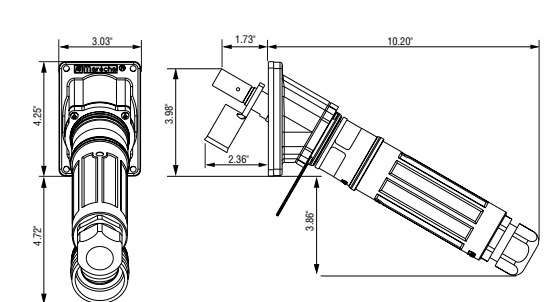
Dimensions are for reference only and may change depending on accessories used. For precise dimensions contact MELTRIC Engineering.



30° Inclined Receptacle/Angle



30° Receptacle/Angle with Plug



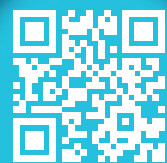
SP Single Pole High Amperage



Main Advantages

- Safety features provide maximum protection
- Silver, butt-style contact technology maximizes durability
- IP66/IP67 environmental protection when mated
- Mechanical coding prevents intermating of phases

- Features and Ratings p. 140
- SP p. 141
- Dimensions p. 142



SCAN
ME >>

PRODUCT FEATURES

Pilot Connections

Integral pilot circuit for controlling the power circuit.

Latch Release Button

Enables disconnection of the plug from the receptacle.

Silver Contact Material

Enables maximum performance and durability – withstands at least 2000 operations.

Color Coding

Enables quick visual identification of matching plugs/receptacles.

Mechanical Interlock

Twist ring closes/opens the pilot circuit and locks/unlocks the latching mechanism to prevent connection or disconnection under load.

Phase Label

Indicates phase of receptacle.

Protective Caps

Protects contacts when disconnected.

General Ratings

Listing	CSA	IEC	NOM
Amperage	600 A	800 A	600 A
Voltage	600 VAC Max	1000 VAC/1500 VDC Max	600 VAC Max
Frequency	50-400 Hz	50-400 Hz	50-400 Hz
Horsepower	500 hp	-	500 hp
Environmental	IP66/IP67	IP66/IP67	IP66/IP67
Temperature	Min -15°F/Max 140°F	Min -15°F/Max 140°F	Min -15°F/Max 140°F

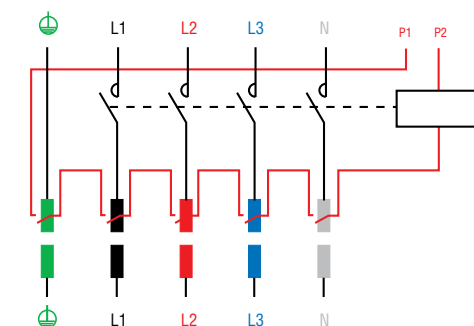
Highlighted Feature

Pilot Circuit



SP plugs and connectors are designed with safety and durability in mind. Each device is mechanically interlocked with an integral pilot circuit switch for controlling the power circuit in order to prevent connection and disconnection under load.

A typical pilot circuit wiring diagram ≤ 250 VAC circuit shown



Operating Instructions



To connect, insert the plug into the receptacle until a click is heard. Rotation of the plug in either direction engages a locking finger, which prevents further rotation.



To close the pilot circuit and mechanically lock the plug into the receptacle, turn the ring on the receptacle until the "1" lines up with the arrow. This turns the power on.



To disconnect, open the pilot circuit and unlock the plug by turning the ring until the "0" is aligned with the arrow. The power is now off.



Press firmly on the latch release button and simultaneously pull on the inlet. A slight rotation of the plug may also be required.

SP Single Pole - 600 A

CSA Ratings

- Max Amperage & Voltage**
600 A, 600 VAC
To order devices for international applications and for IEC listings up to 800 A, 1000 VAC/1500 VDC, refer to international CE devices catalog.
- Current Interruption Capability**
Not for Current Interrupting
- Horsepower Ratings**

480 V	3Ø	500 hp
600 V	3Ø	500 hp

CSA hp rated when auxiliary pilots are wired to control motor control circuit.
- Environmental Ratings**
IP66/IP67
- Temperature Range**
Min -15°F/Max 140°F
- Wiring Capacity**
Min 2/0 Max 777 MCM
- Applicable Standards**
CSA C22.2 NO. 182.1*, NOM
(*Listing applies to AC devices only)
- Pilot Wiring**
1A, 240 VAC, 14 AWG (Prewired)

! Don't forget to add installation accessories to your order

Suffix	Range
-5B	.875 - 1.000"
-5C	1.000 - 1.125"
-5D	1.125 - 1.250"
-5E	1.250 - 1.375"
-8A	1.250 - 1.375"
-8B	1.312 - 1.437"
-8C	1.438 - 1.562"
-8D	1.562 - 1.688"

Contact MELTRIC for IEC/CE Part Numbers



North American Configurations

VOLTAGE	POLARITY	REC PART # WITHOUT LUG	REC PART # ON ANGLE ADAPTER	CONNECTOR PART # ON HANDLE
≤ 250 V	L1	44-44001-P80	44-47001-P80	44-43001-P80
≤ 250 V	L2	44-44002-P80	44-47002-P80	44-43002-P80
≤ 250 V	L3	44-44003-P80	44-47003-P80	44-43003-P80
≤ 250 V	NEUTRAL	44-4400N-P80	44-4700N-P80	44-4300N-P80
	GROUND	44-4400T-P80	44-4700T-P80	44-4300T-P80
	POSITIVE	44-4400P	44-4700P	44-4300P
	NEGATIVE	44-4400M	44-4700M	44-4300M
> 250 V	L1	44-44001-P88	44-47001-P88	44-43001-P88
> 250 V	L2	44-44002-P88	44-47002-P88	44-43002-P88
> 250 V	L3	44-44003-P88	44-47003-P88	44-43003-P88
> 250 V	NEUTRAL	44-4400N-P88	44-4700N-P88	44-4300N-P88



North American Configurations

VOLTAGE	POLARITY	INLET PART # WITHOUT LUG	INLET PART # ON ANGLE ADAPTER	PLUG PART # ON HANDLE
≤ 250 V	L1	44-48001-P80	44-49001-P80	44-41001-P80
≤ 250 V	L2	44-48002-P80	44-49002-P80	44-41002-P80
≤ 250 V	L3	44-48003-P80	44-49003-P80	44-41003-P80
≤ 250 V	NEUTRAL	44-4800N-P80	44-4900N-P80	44-4100N-P80
	GROUND	44-4800T-P80	44-4900T-P80	44-4100T-P80
	POSITIVE	44-4800P	44-4900P	44-4100P
	NEGATIVE	44-4800M	44-4900M	44-4100M
> 250 V	L1	44-48001-P88	44-49001-P88	44-41001-P88
> 250 V	L2	44-48002-P88	44-49002-P88	44-41002-P88
> 250 V	L3	44-48003-P88	44-49003-P88	44-41003-P88
> 250 V	NEUTRAL	44-4800N-P88	44-4900N-P88	44-4100N-P88

*Note: Plugs and Connectors come standard with .750-.875 cable range. For other sizes please refer to table to the left.

INSTALLATION ACCESSORIES – SIZE S

When properly installed, all accessories meet or exceed the environmental ratings of the devices they are mounted to; unless otherwise noted.



INTERNAL DIAMETER	STRAIGHT W/TERMINAL		STRAIGHT THREADED	FLEXIBLE WIRING*	COARSE WIRING
	in	mm	PART #	PART #	AWG
.43		11	454A50C	454A50D	1/0
.51		13.1	454A70C	454A70D	2/0, 3/0
.57		14.5	454A95C	454A95D	4/0
.64		16.2	454A12C	454A12D	262
.71		18	454A15C	454A15D	300, 313
.81		20.6	454A18C	454A18D	350*, 373
.91		23.1	454A24C	454A24D	444*, 500, 535
1.03		26.1	454A30C	454A30D	646
1.15		29.2	454A40C	454A40D	750, 777*

Notes: *Class H & I. UL listing performed with Greenlee EK6IDL11 dieless tool and Dewalt DCE300M2 with Greenlee KC12 dies. * Only for use with Greenlee EK6IDL11 dieless tool.

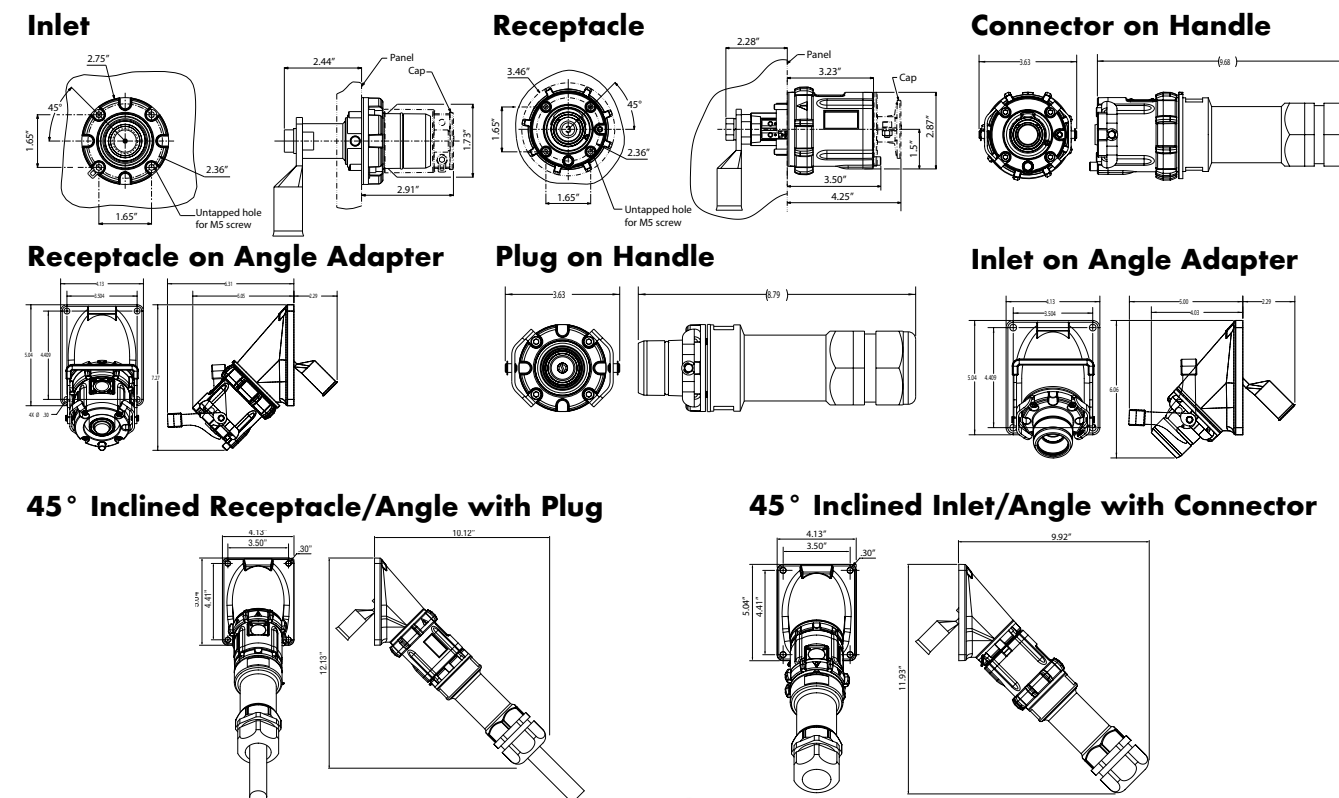
HANDLE	CABLE OUTSIDE DIAMETER	PART #
	.750-.875"	44-4A753-A
	.875-1.000"	44-4A753-B
	1.000-1.125"	44-4A753-C
	1.125-1.250"	44-4A753-D
	1.250-1.375"	44-4A753-E
	1.250-1.375"	44-4A783-A
	1.312-1.437"	44-4A783-B
	1.438-1.562"	44-4A783-C
	1.562-1.688"	44-4A783-D

METAL ANGLE	PART #
45°	454A027

DRAWBAR	PART #
handle	454A876
plate	454A396
handle + plate	454A376

Dimensions Inlet/Receptacle – Provided in Inches

Dimensions do not show drawbar, are for reference only and may change depending on accessories used. For precise dimensions contact MELTRIC Engineering.



DSP400

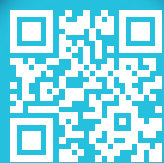
Single Pole High Amperage

Main Advantages

- Poly Casing
- Up to 480 VAC
- Rated IP66/IP67/IP69/IP69K
- Two additional pilot contacts

- Features and Ratings p. 144
- DSP400 p. 145
- Dimensions p. 147

SCAN
ME >>



PRODUCT FEATURES

Standard Lockout/Tagout Provisions

Allows plug to be easily locked out and tagged. Included padlock pawl allows lockout/tagout of the receptacle.

Casing

Fiberglass reinforced thermoplastic polyester material offers great resistance to impact, corrosion and harsh environmental conditions.

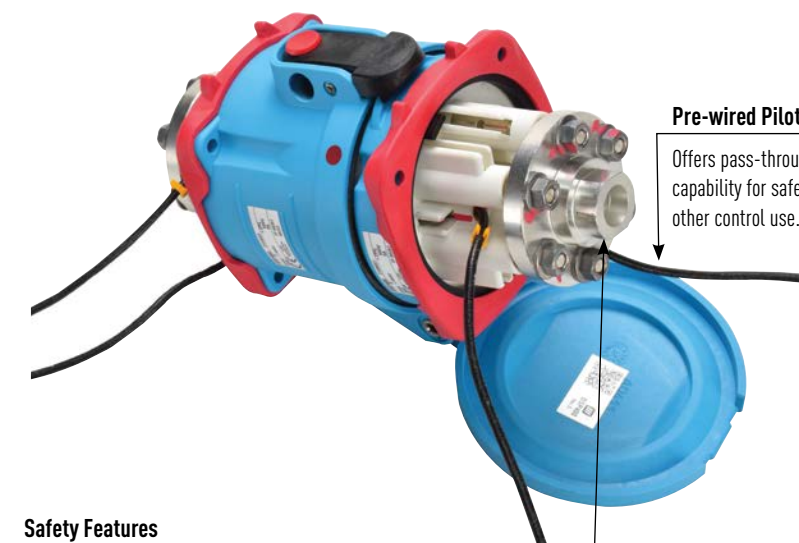


Lid

Provides additional protection from harsh environments.

Silver-Nickel, Butt-Style Contacts

Solid, silver-nickel contact surfaces provide superior conductivity, durability and corrosion resistance.



Pre-wired Pilot Contacts

Offers pass-through, 10 A wiring capability for safety circuit or other control use.

Safety Features

Designed with mechanical (rotational position) and visual (gasket color) differentiation of phases to prevent intermating.

Shorting Plate

Ties all phase contacts together to convert multiple contact device into single pole.

Operating Instructions



When the plug and receptacle are latched together, the circuit is connected.



Pressing the pawl breaks the connection and opens the circuit. The plug is ejected to its rest position; The contacts are now de-energized.



Rotating the de-energized plug 30° counterclockwise closes the safety shutter and frees the plug to be withdrawn from the receptacle



The plug and the receptacle are separated. The safety shutter prevents access to live parts.

5 To reconnect, align red dots, insert plug into receptacle, rotate 30° clockwise, and apply insertion force.

DSP400 Single Pole - 400 A

DSP400

Ratings

- **Max Amperage & Voltage**
400 A, 480 VAC, 750 VDC
- **Current Interruption Capability**
Not for Current Interrupting
- **Environmental Ratings**
IP66/IP67/IP69/IP69K
- **Temperature Range**
Min -40°F/Max 140°F
- **Wiring Capacity**
Min 1/0 Max 600 MCM
Aux Contacts - Prewired 4 mm²
- **Certifications**
CE

Receptacle (female) without lug



Inlet (male) without lug



VOLTAGE	POLARITY	PART # POLY			PART # POLY	
		STANDARD LOCKOUT HOLE	STANDARD LOCKOUT HOLE NORMALLY CLOSED LID	NO LOCKOUT HOLE	STANDARD LOCKOUT HOLE	NO LOCKOUT HOLE
≤ 250	L1	3164001843P80	3164001858P80	3164001P80	3168001843P80	3168001P80
≤ 250	L2	3164002843P80	3164002858P80	3164002P80	3168002843P80	3168002P80
≤ 250	L3	3164003843P80	3164003858P80	3164003P80	3168003843P80	3168003P80
≤ 250	NEUTRAL	316400N843P80	316400N858P80	316400NP80	316800N843P80	316800NP80
	GROUND	316400T843P80	316400T858P80	316400TP80	316800T843P80	316800TP80
	POSITIVE	316400P843P80	316400P858P80	316400PP80	316800P843P80	316800PP80
	NEGATIVE	316400M843P80	316400M858P80	316400MP80	316800M843P80	316800MP80
> 250	L1	3164001843P88	3164001858P88	3164001P88	3168001843P88	3168001P88
> 250	L2	3164002843P88	3164002858P88	3164002P88	3168002843P88	3168002P88
> 250	L3	3164003843P88	3164003858P88	3164003P88	3168003843P88	3168003P88
> 250	NEUTRAL	316400N843P88	316400N858P88	316400NP88	316800N843P88	316800NP88

Straight Barrel Lugs



CRIMPING LUGS

INTERNAL DIAMETER	STRAIGHT W/TERMINAL		STRAIGHT THREADED	FLEXIBLE WIRING*	COARSE WIRING	
	in	mm	PART #	AWG	AWG	
.43	11		454A50C	454A50D	1/0 ^A	2/0
.51	13.1		454A70C	454A70D	2/0, 3/0	3/0, 4/0
.57	14.5		454A95C	454A95D	4/0	250
.64	16.2		454A12C	454A12D*	262	300
.71	18		454A15C	454A15D*	300, 313	350
.81	20.6		454A18C	454A18D*	350*, 373	400, 500
.91	23.1		454A24C	454A24D*	444*, 500, 535	600

- Notes:**
- * Class H & I
 - ^A The ground conductor shall be limited to a maximum size of 1/0 AWG.
 - UL listing performed with Greenlee EK6IDL11 dieless tool and Dewalt DCE300M2 with Greenlee KC12 dies. * Only for use with Greenlee EK6IDL11 dieless tool.
 - * Spacer 514M0-25 will be required for use with a handle.



INSTALLATION ACCESSORIES – SIZE 4

When properly installed, all accessories meet or exceed the environmental ratings of the devices they are mounted to; unless otherwise noted.

HANDLES

HANDLE WITH NPT	PART # POLY
1/2"	514P0N05
3/4"	514P0N07
1"	514P0N10
1 1/4"	514P0N12
1 1/2"	514P0N15

POLY HANDLE WITH CORD GRIP	CABLE RANGE	PART #
	.680-.980"	714P0DP4
	.980-1.260"	714P0EP4
	1.260-1.560"	714P0FP1

For available cord grips, see pg 159.
Spacer 51M0-25 to be used with handle accessory when wiring device with 300 MCM or larger wire.

BOXES

POLY WALL BOX WITH ANGLE	ANGLE	PART #	Notes
	70°	514C7000	70° poly boxes are not drilled. * Interior volume with receptacle installed.
		Ground Bar	51-AA089

POLY ANGLE WITH METAL BOX WITH NPT	ANGLE	SIZE	PART #	Notes
	70°	1/2"	714C7N05	* Interior volume with receptacle installed.
	70°	3/4"	714C7N07	
	70°	1"	714C7N10	
	70°	1 1/4"	714C7N12	
	70°	1 1/2"	714C7N15	

ANGLES

POLY ANGLE	ANGLE	PART #	Notes
	30°	514M3	Compatible with all straight threaded lugs.
	70°	514M7	Compatible with all straight terminal lugs.

MISCELLANEOUS ACCESSORIES

ACCESSORY	PART #	Notes
FINGER DRAWPLATES	31-6A346	Set of Two (2) Recommended for all assembly applications, for easier connector closure.
SPACER	514M0-25	1 inch thick spacer to be used with handles using 300 MCM wire and larger.
PROTECTIVE INLET/PLUG CAP	31-6A426	For Inlets/Plugs Only.
SPRING-LOADED PADLOCKABLE INLET/PLUG CAP	31-6A226	For Poly Inlets/Plugs Only. In order to achieve max water ingress protection of Type 3R/IP55, spring loaded caps should be ordered with inlets equipped with -A155 suffix.
EASY RETROFIT ADAPTER PLATES	see pg 240	Mount to existing boxes.
RECEPTACLE LOCKING PIN	LP-843	

DSP400 DIMENSIONS – Provided in Inches

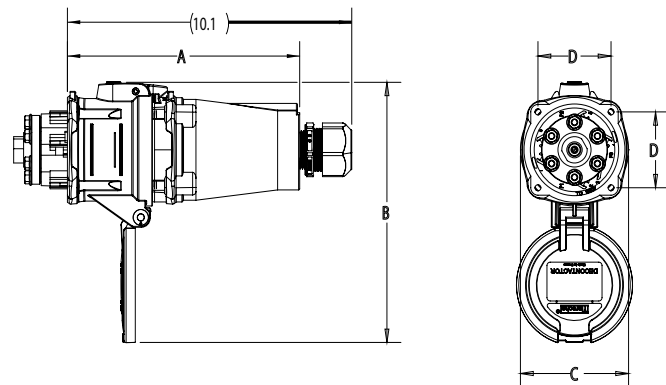
DSP400

Dimensions are for reference only and may change depending on accessories used. For precise dimensions contact MELTRIC Engineering.

SCAN
ME >>

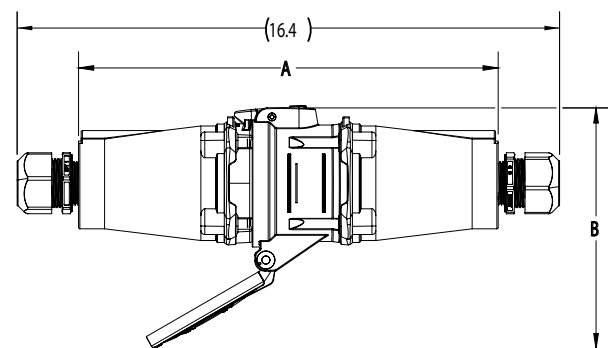


Plug on Receptacle



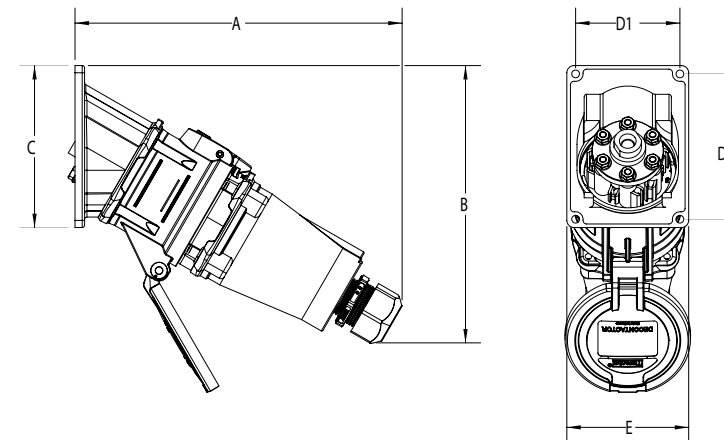
PRODUCT	A	B	C	E
DSP400	8.29	8.94	3.86	2.59

Plug/Connector



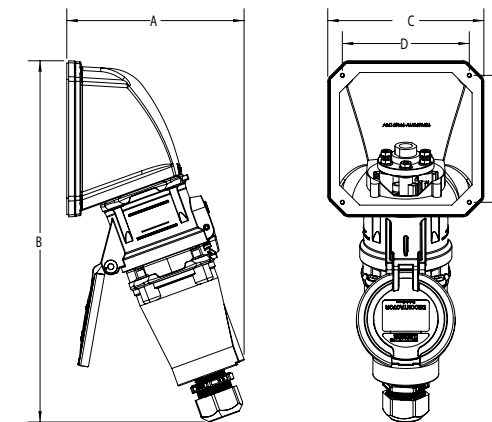
PRODUCT	A	B
DSP400	12.70	7.28

30° Angle/Receptacle/Plug



PRODUCT	A	B	C	D1	D2	E
DSP400	10.78	9.17	5.35	3.44	4.80	4.02

70° Angle/Receptacle/Plug



PRODUCT	A	B	C	D
DSP400	7.42	15.12	6.54	5.31