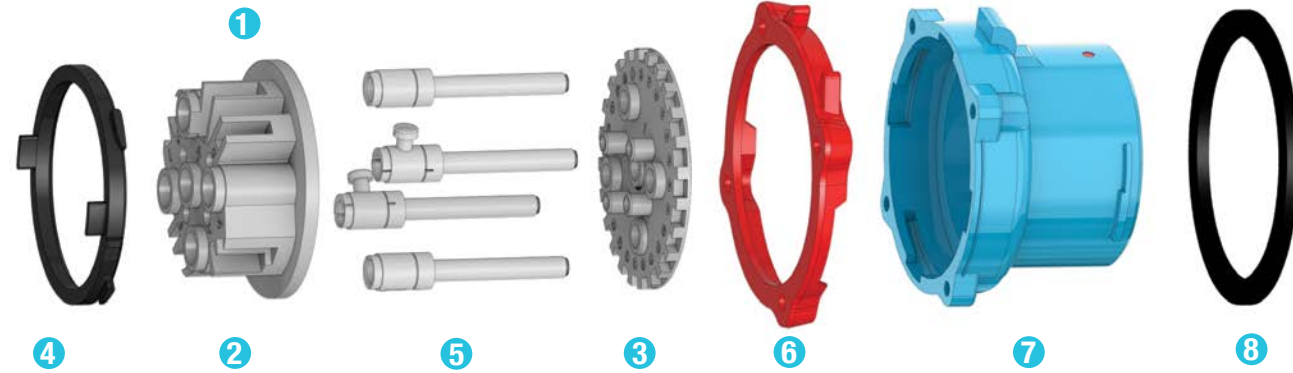







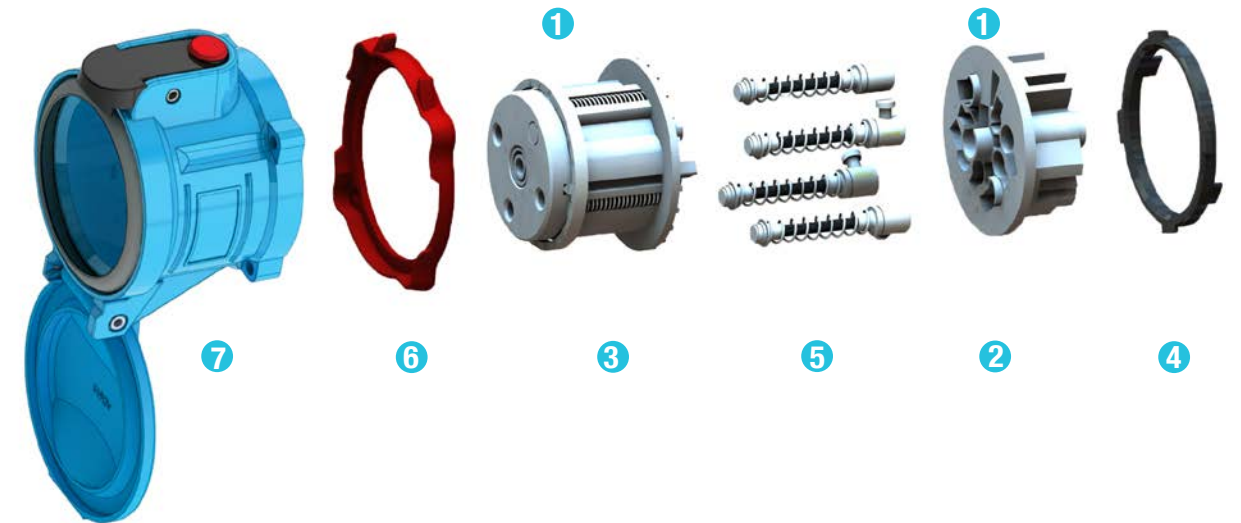
## Male Configuration



	DS20 POLY	DS30 POLY	DS60 POLY	DS60 METAL	DS100 POLY	DS100 METAL	DS200 METAL
1 Plug Insulator	33-1A010*	33-3A010*	33-6A010*	37-6A010*	33-9A010*	37-9A010*	37-2A010*
2 Insulator Bottom	33-1A010-B	33-3A010-B	33-6A010-B	37-6A010-B	33-9A010-B	37-9A010-B	37-2A010-B
3 Insulator Top	33-1A010-T*	33-3A010-T*	33-6A010-T*	37-6A010-T*	33-9A010-T*	37-9A010-T*	37-2A010-T*
4 Locking Ring	33-1A583	33-3A583	33-6A583	37-6A583	33-9A583	37-9A583	37-2A583
5 Plug Phase Contact	33-1A011	33-3A011	33-6A011	37-6A011	33-9A011	37-9A011	37-2A011
5 Plug Pilot Contact	33-1A011-972	31-3A011-972	33-6A011-972	37-6A011-972	33-9A011-972	37-9A011-972	37-2A021-972
5 Plug Ground Contact	33-1A019	33-3A019	33-6A019	37-6A019	33-9A019	37-9A019	37-2A019
6 Color-Coded Voltage Gasket	 33-1AJ26	33-3AJ26	33-6AJ26	37-6AJ26	33-9AJ26	37-9AJ26	37-2AJ26
	 33-1AC26	33-3AC26	33-6AC26	37-6AC26	33-9AC26	37-9AC26	37-2AC26
	 33-1AB26	33-3AB26	33-6AB26	37-6AB26	33-9AB26	37-9AB26	37-2AB26
	 33-1AR26	33-3AR26	33-6AR26	37-6AR26	33-9AR26	37-9AR26	37-2AR26
	 33-1AN26	33-3AN26	33-6AN26	37-6AN26	33-9AN26	37-9AN26	37-2AN26
7 Plug Casing	33-1A014*	33-3A014*	33-6A014*	37-6A014*	33-9A014*	37-9A014*	37-2A014*
8 Type 4X Gasket	33-1A056	33-3A056	-	-	-	-	-

\* Please provide full part number for accurate part alignment.  
**Part numbers in catalog are for current revisions, others may be available upon request.**  
**For replacement parts contact Customer Service at 800-433-7642.**

## Female Configuration



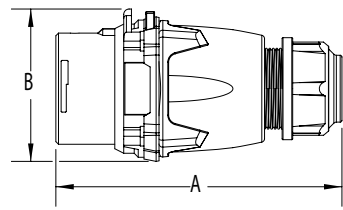
	DS20 POLY	DS30 POLY	DS60 POLY	DS60 METAL	DS100 POLY	DS100 METAL	DS200 METAL
1 Receptacle Insulator	33-1A020*	33-3A020*	33-6A020*	37-6A020*	33-9A020*	37-9A020*	37-2A020*
2 Insulator Bottom	33-1A020-B	33-3A020-B	33-6A020-B	37-6A020-B	33-9A020-B	37-9A020-B	37-2A020-B
3 Insulator Top	33-1A020-T*	33-3A020-T*	33-6A020-T*	37-6A020-T*	33-9A020-T*	37-9A020-T*	37-2A020-T*
4 Locking Ring	33-1A583	33-3A583	33-6A583	37-6A583	33-9A583	37-9A583	37-2A583
5 Receptacle Phase Contact	33-1A021	33-3A021	33-6A021	37-6A021	33-9A021	37-9A021	37-2A021
5 Receptacle Pilot Contact	33-1A021-972	33-3A021-972	33-6A021-972	37-6A021-972	33-9A021-972	37-9A021-972	37-2A021-972
5 Receptacle Ground Contact	33-1A029	33-3A029	33-6A029	37-6A029	33-9A029	37-9A029	37-2A029
6 Color-Coded Voltage Gasket	 33-1AJ26	33-3AJ26	33-6AJ26	37-6AJ26	33-9AJ26	37-9AJ26	37-2AJ26
	 33-1AC26	33-3AC26	33-6AC26	37-6AC26	33-9AC26	37-9AC26	37-2AC26
	 33-1AB26	33-3AB26	33-6AB26	37-6AB26	33-9AB26	37-9AB26	37-2AB26
	 33-1AR26	33-3AR26	33-6AR26	37-6AR26	33-9AR26	37-9AR26	37-2AR26
	 33-1AN26	33-3AN26	33-6AN26	37-6AN26	33-9AN26	37-9AN26	37-2AN26
7 Receptacle Casing	33-1A024*	33-3A024*	33-6A024*	37-6A024*	33-9A024*	37-9A024*	37-2A024*
Lid Replacement Kit	33-1A125	33-3A125	33-6A125	37-6A925	33-9A125	37-9A925	37-2A925
Pawl Replacement Kit Polyester	33-1A824	33-3A824	33-6A824	-	33-9A824	-	-
Pawl Replacement Kit Metal	33-1A924	33-3A924	33-6A924	37-6A824	33-9A924	37-9A824	37-2A824
Drawbar Replacement Kit	-	-	-	-	33-9A726	37-9A726	37-2A726

\* Please provide full part number for accurate part alignment.  
**Part numbers in catalog are for current revisions, others may be available upon request.**  
**For replacement parts contact Customer Service at 800-433-7642.**

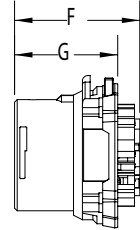
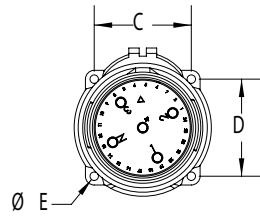


Dimensions are for reference only and may change depending on accessories used. For precise dimensions contact MELTRIC Engineering.

### Plug

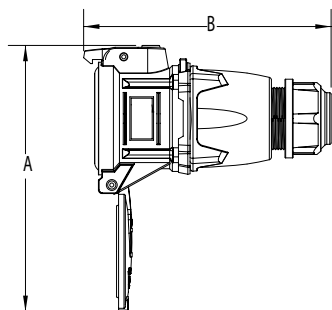


### Inlet

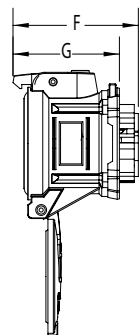
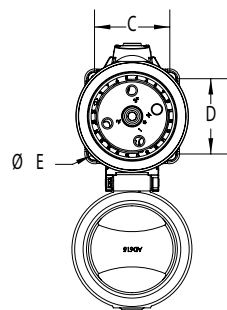


PRODUCT	A	B	C	D	ØE	F	G
DS20	5.72	2.79	1.89	1.89	0.20	2.28	1.86
DS30	6.15	3.23	2.17	2.17	0.20	2.93	2.07
DS60/DS7c	6.70	3.77	2.59	2.59	0.24	3.42	2.38
DS100	8.33	4.59	3.20	3.20	0.24	4.14	3.04
DS200	10.30	5.67	3.86	3.86	0.26	4.66	3.20

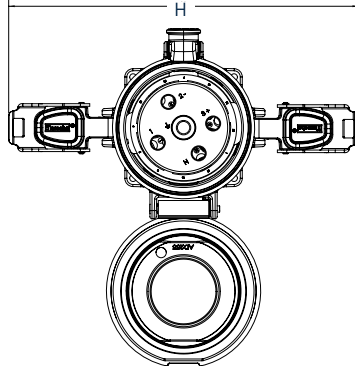
### Connector



### Receptacle



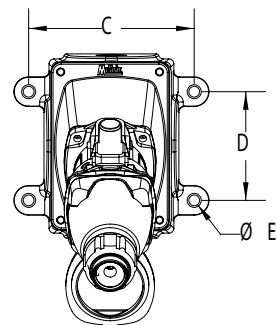
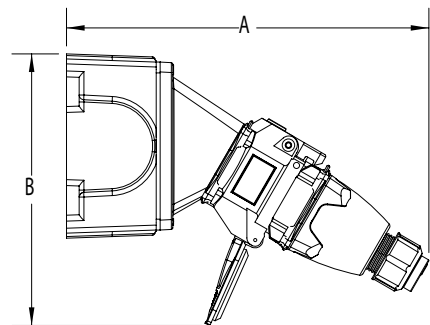
### Extended Drawbars



PRODUCT	A	B	C	D	ØE	F	G	H
DS20	6.32	6.38	1.89	1.89	0.20	3.3	2.6	N/A
DS30	7.16	6.93	2.17	2.17	0.20	3.73	2.87	N/A
DS60/DS7c	8.96	7.75	2.59	2.59	0.22	4.53	3.37	N/A
DS100	11.80	10.02	3.20	3.20	0.23	5.71	4.74	12.62
DS200	12.70	10.87	3.86	3.86	0.26	6.21	4.75	13.37

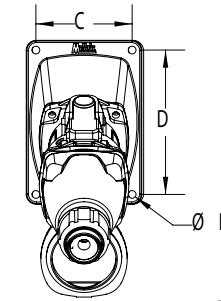
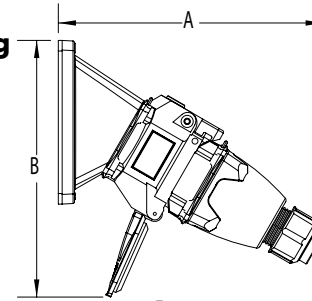
### Box/30° Angle/Receptacle/Plug

Dimensions for DR200 include 60° angle.



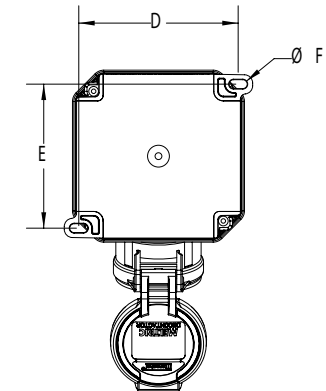
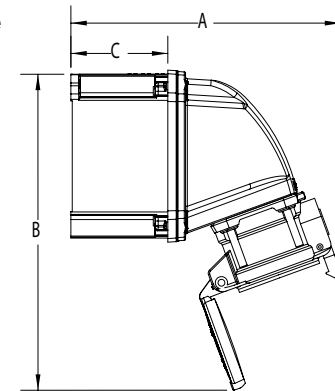
PRODUCT	A	B	C	D	ØE
DS20	9.84	7.29	4.19	2.75	0.27
DS30	10.30	8.39	4.19	2.75	0.27
DS60/DS7c	11.87	10.74	5	3.81	0.33
DS100	16.06	11.77	6.75	4.25	0.31
DS200	15.76	12.70	8.13	6.38	0.31

### 30° Angle/Receptacle/Plug



PRODUCT	A	B	C	D	ØE
DS20	7.60	7.87	2.50	3.75	0.22
DS30	8.19	8.44	2.50	3.75	0.22
DS60/DS7c	9.17	10.45	3.43	4.83	0.26
DS100	14.09	12.05	4.83	4.83	0.28
DS200	11.61	16.20	6.50	6.50	0.25

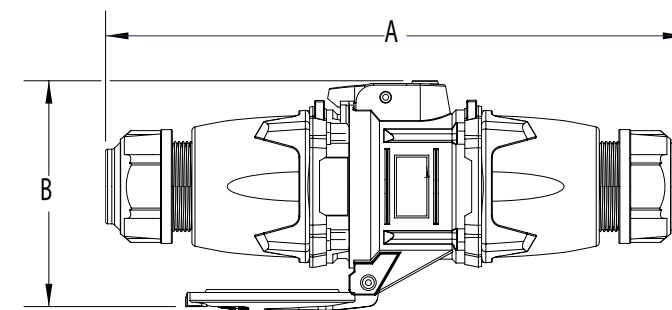
### 70° Wall Box/Receptacle



PRODUCT	A	B	C	D	E	ØF
DS20	7.78	9.11	2.80	4.60	4.15	0.26
DS30*	8.91	11.55	2.80	6.17	5.73	0.26
DS60/DS7c*	9.07	12.24	2.80	6.17	5.73	0.26

\* Box has 4 mounting feet.

### Plug/Connector



PRODUCT	A	B
DS20	10.20	4.61
DS30	10.91	5.71
DS60/DS7c	12.17	6.57
DS100	19.53	8.03
DS200	23.15	8.00