

DR30 Standard Duty - 30 A

DR30

UL/CSA Ratings

- Max Amperage & Voltage**
30 A, 600 VAC
- Current Interruption Capability**
Not for current interrupting
For Switch-Rated devices, see DS & DSN sections.
- Short Circuit Rating**
100 kA
Testing was performed with RK1 current limiting fuses sized at at least 100% of the device's ampacity rating.
- Environmental Ratings**
Type 3R (Standard)
Type 4X (Optional)
- Temperature Range**
Min -40°F/Max 140°F
See pg 254 for temperatures outside of this range.
- Wiring Capacity**
Based on THHN wire sizes.
Min 14 AWG Max 8 AWG
Aux Contacts - Max 14 AWG
- Certifications**
UL 1682, CSA C22.2 NO. 182.1, NOM

Receptacle (female)



Inlet (male)



Don't forget to add installation accessories to your order

North American UL/CSA Configurations

VOLTAGE	POLARITY	PART # POLY	PART # POLY
120 V	1P+N+G	31-14235-K16	31-18235-K16
120 208 V	3P+N+G	31-14237-K16	31-18237-K16
125 V	1P+N+G	31-14175-K07	31-18175-K07
125 250 V	2P+N+G	31-14176-K07	31-18176-K07
208 V	2P+G	31-14232-K16	31-18232-K16
208 V	3P+G	31-14233-K16	31-18233-K16
250 V	2P+G	31-14172-K07	31-18172-K07
250 V	3P+G	31-14173-K07	31-18173-K07
277 V	1P+N+G	31-14245-K04	31-18245-K04
277 480 V	3P+N+G	31-14247-K04	31-18247-K04
347 600 V	3P+N+G	31-14187-K14	31-18187-K14
480 V	2P+G	31-14242-K04	31-18242-K04
480 V	3P+G	31-14243-K04	31-18243-K04
600 V	2P+G	31-14182-K14	31-18182-K14
600 V	3P+G	31-14183-K14	31-18183-K14

For international configurations and ratings (IEC, CE) visit meltric.com/international-catalog or contact Customer Service at 800-433-7642.

Main Options

- Auxiliary/Pilot Contacts**
- Mushroom Pawl**
- 5/16" hole Padlock Pawl**
- Self-Returning Lid**
Recommended for cord applications to keep lid tucked in to avoid damage.

RECEPTACLE OPTIONS	SUFFIX #	INLET OPTIONS	SUFFIX #
With 2 Auxiliary/Pilot Contacts	Recept # -972	With 2 Auxiliary/Pilot Contacts	Inlet # -972
Type 4X & Self-Returning Lid	Recept # -4X	Type 4X Watertightness	Inlet # -4X
Mushroom Pawl	Recept # -375	Without Lockout Hole	Inlet # -A155
Padlock Pawl	Recept # -843	For Microswitch	Inlet # -270^{3,4}
Screw-Type Locking Pawl	Recept # -845		
Metal Pawl (on poly receptacle)	Recept # -824		
Self-Returning Lid (Manual Close)	Recept # -NC		
With Microswitch	Recept # -270^{3,4}		

Order Example: 480 V DR30 + 2 auxiliary contacts
DR30 Poly inlet 3P+G = 31-18243-K04-972



INSTALLATION ACCESSORIES – SIZE 2

When properly installed, all accessories meet or exceed the environmental ratings of the devices they are mounted to; unless otherwise noted.

HANDLES

HANDLE WITH NPT	PART # POLY	PART # METAL
NEW 1/2"	512P0N05	592P0N05
Poly 3/4"	512P0N07	592P0N07
1"	512P0N10	592P0N10
Metal 1 1/4"	512P0N12	-

For available cord grips, see pg 159.

POLY HANDLE WITH CORD GRIP	CABLE RANGE	PART #
NEW	.350-.520"	712P0BP6
	.520-.680"	712P0CP5
	.680-.980"	712P0DP4
	.980-1.260"	712P0EP4

METAL HANDLE WITH CORD GRIP	CABLE RANGE	PART #
	.438-.500"	792P0BS3
	.500-.562"	792P0BS4
	.562-.625"	792P0CS2
	.625-.750"	792P0CS4
	.770-.875"	792P0DS1
	.870-1.000"	792P0DS3

POLY HANDLE	CABLE RANGE	PART #
	.200-.820"	512P0D21

POLY HANDLE WITH CLAMP & BUSHING	CABLE RANGE	PART #
	.750-.875"	712P0S14
	.875-1.000"	712P0S16
	1.000-1.125"	712P0S18
	1.125-1.250"	712P0S20
	1.250-1.375"	712P0S22

ANGLES

POLY ANGLE	ANGLE	PART #	Notes
	30°	512M3	
	70°	512M7	Panel mounting only.

METAL ANGLE	ANGLE	PART #	Notes
	0°	592M0	
	30°	592M3	
	FS/FD 30°	792M3FS	Base measures approximately 4.2" x 2.7". Due to the variation in sizes of FS boxes, please verify that your FS box matches our dimensions, if not call Customer Service for other solutions.

BOXES

POLY CONDUIT ENTRY WITH NPT	ANGLE	SIZE	PART #	Notes
	30°	1/2"	512B3N05	For poly devices only.
	30°	3/4"	512B3N07	* Interior volume with receptacle installed.

POLY WALL BOX WITH ANGLE	ANGLE	PART #	Notes
	70°	512C7000	70° poly boxes are not drilled.
			* Interior volume with receptacle installed.

POLY ANGLE WITH METAL BOX WITH NPT	ANGLE	SIZE	PART #	Notes
	70°	1/2"	712C7N05	
	70°	3/4"	712C7N07	
	70°	1"	712C7N10	* Interior volume with receptacle installed.
	70°	1 1/4"	712C7N12	
	70°	1 1/2"	712C7N15	

METAL BOX WITH NPT	ANGLE	SIZE	PART #	Notes
	0°	1/2"	7T1F0N05	
	0°	3/4"	7T1F0N07	
	0°	1"	7T1F0N10	
	0°	1 1/4"	7T1F0N12	

POLY ANGLE WITH METAL BOX WITH NPT	ANGLE	SIZE	PART #	Notes
	30°	1/2"	712C3N05	For metal angle, replace "71" prefix with "79".
	30°	3/4"	712C3N07	
	30°	1"	712C3N10	* Interior volume with receptacle installed
	30°	1 1/4"	712C3N12	

NPT on top or bottom (if rotated). For other configurations, contact Customer Service.

MISCELLANEOUS ACCESSORIES

FINGER DRAWPLATES	PART #	Notes
	61-3A346	Set of Two (2) Recommended for all assembly applications, for easier connector closure.

PROTECTIVE INLET/PLUG CAP	PART #	Notes
	31-1A426	For Inlets/Plugs Only.

PADLOCKABLE INLET/PLUG CAP	PART #	Notes
	DS1PC	For Inlets/Plugs Only.

SPRING-LOADED PADLOCKABLE INLET/PLUG CAP	PART #	Notes
	31-1A226	For Inlets/Plugs Only. In order to achieve max water ingress protection of Type 3R/IP55, spring loaded caps should be ordered with inlets equipped with -A155 suffix.

EASY RETROFIT ADAPTER PLATES	Notes
see pg 240	Mount to existing boxes.

RECEPTACLE LOCKING PIN	PART #	Notes
	LP-843	Requires Padlockable Pawl option (-843) on receptacle.

DR50 Standard Duty - 50 A

- ### UL/CSA Ratings
- Max Amperage & Voltage**
50 A, 600 VAC
 - Current Interruption Capability**
For current interrupting up to 250 VAC
For Switch-Rated devices, see DS & DSN sections.
 - Short Circuit Rating**
100 kA
Testing was performed with RK1 current limiting fuses sized at at least 100% of the device's ampacity rating.
 - Environmental Ratings**
Type 3R (Standard)
Type 4X (Optional)
 - Temperature Range**
Min -40°F/Max 140°F
See pg 254 for temperatures outside of this range.
 - Wiring Capacity**
Based on THHN wire sizes.
Min 14 AWG Max 4 AWG
Aux Contacts - Max 14 AWG
 - Certifications**
UL 1682, CSA C22.2 NO. 182.1, NOM

Receptacle (female)



Inlet (male)



! Don't forget to add installation accessories to your order

North American UL/CSA Configurations

VOLTAGE	POLARITY	PART # POLY	PART # POLY
120 V	1P+N+G	31-34235-K16	31-38235-K16
120 208 V	3P+N+G	31-34237-K16	31-38237-K16
125 V	1P+N+G	31-34175-K07	31-38175-K07
125 250 V	2P+N+G	31-34176-K07	31-38176-K07
208 V	2P+G	31-34232-K16	31-38232-K16
208 V	3P+G	31-34233-K16	31-38233-K16
250 V	2P+G	31-34172-K07	31-38172-K07
250 V	3P+G	31-34173-K07	31-38173-K07
277 V	1P+N+G	31-34245-K04	31-38245-K04
277 480 V	3P+N+G	31-34247-K04	31-38247-K04
347 600 V	3P+N+G	31-34187-K14	31-38187-K14
480 V	2P+G	31-34242-K04	31-38242-K04
480 V	3P+G	31-34243-K04	31-38243-K04
600 V	2P+G	31-34182-K14	31-38182-K14
600 V	3P+G	31-34183-K14	31-38183-K14

For international configurations and ratings (IEC,CE) visit meltric.com/international-catalog or contact Customer Service at 800-433-7642.

Main Options

- Auxiliary/Pilot Contacts**
- Mushroom Pawl**
- Padlock Pawl**
5/16" hole
- Self-Returning Lid**
Recommended for cord applications to keep lid tucked in to avoid damage.

RECEPTACLE OPTIONS	SUFFIX #	INLET OPTIONS	SUFFIX #
With 2 Auxiliary/Pilot Contacts	Recept # -972	With 2 Auxiliary/Pilot Contacts	Inlet # -972
With 3 Auxiliary/Pilot Contacts	Recept # -973	With 3 Auxiliary/Pilot Contacts	Inlet # -973
With 4 Auxiliary/Pilot Contacts	Recept # -974	With 4 Auxiliary/Pilot Contacts	Inlet # -974
Type 4X & Self-Returning Lid	Recept # -4X	Type 4X Watertightness	Inlet # -4X
Mushroom Pawl	Recept # -375	Without Lockout Hole	Inlet # -A155
Padlock Pawl	Recept # -843	For Microswitch	Inlet # -270^{3,4}
Screw-Type Locking Pawl	Recept # -845	Notes: ³ Not UL/CSA listed. ⁴ Not available on 3P+N+G configurations.	
Metal Pawl (on poly receptacle)	Recept # -824		
Self-Returning Lid (Manual Close)	Recept # -NC		
With Microswitch	Recept # -270^{3,4}		

Order Example: 480 V DR50 + 2 auxiliary contacts
DR50 Poly inlet 3P+G = 31-38243-K04-972



INSTALLATION ACCESSORIES – SIZE 3

When properly installed, all accessories meet or exceed the environmental ratings of the devices they are mounted to; unless otherwise noted.

HANDLES

HANDLE WITH NPT	PART # POLY	PART # METAL
1/2"	513P0N05	593P0N05
3/4"	513P0N07	593P0N07
1"	513P0N10	593P0N10
1 1/4"	513P0N12	593P0N12

For available cord grips, see pg 159.

POLY HANDLE WITH CORD GRIP	CABLE RANGE	PART #
	.520-.680"	713P0CP5
	.680-.980"	713P0DP4
	.980-1.260"	713P0EP4

METAL HANDLE WITH CORD GRIP	PART #
.635-.750"	793P0CS4
.770-.850"	793P0DS1
.875-1.000"	793P0DS3
1.000-1.125"	793P0ES2

POLY HANDLE	PART #
.390-1.180"	513P0D30

POLY HANDLE WITH BUILT IN DRAWPLATES	PART #
.390-1.180"	513P0D30473

Makes connector closures easier.

POLY HANDLE WITH CLAMP & BUSHING	PART #
.750-.875"	713P0S14
.875-1.000"	713P0S16
1.000-1.125"	713P0S18
1.125-1.250"	713P0S20
1.250-1.375"	713P0S22

BOXES

POLY CONDUIT ENTRY WITH NPT	PART #
30° 3/4"	513B3N07
30° 1"	513B3N10

POLY WALL BOX WITH ANGLE	PART #
70°	513C7000

Ground Bar 51-AA089

POLY ANGLE WITH METAL BOX WITH NPT	PART #
70° 1/2"	713C7N05
70° 3/4"	713C7N07
70° 1"	713C7N10
70° 1 1/4"	713C7N12
70° 1 1/2"	713C7N15

METAL BOX WITH NPT	PART #
0° 1/2"	7T1F0N05
0° 3/4"	7T1F0N07
0° 1"	7T1F0N10
0° 1 1/4"	7T1F0N12

POLY ANGLE WITH METAL BOX WITH NPT	PART #
30° 1/2"	713C3N05
30° 3/4"	713C3N07
30° 1"	713C3N10
30° 1 1/4"	713C3N12

NPT on top or bottom (if rotated). For other configurations, contact Customer Service.

MISCELLANEOUS ACCESSORIES

FINGER DRAWPLATES	PART #
	61-6A346

PROTECTIVE INLET/PLUG CAP	PART #
	31-3A426

PADLOCKABLE INLET/PLUG CAP	PART #
	DS3PC

SPRING-LOADED PADLOCKABLE INLET/PLUG CAP	PART #
	31-3A226

EASY RETROFIT ADAPTER PLATES	PART #
	see pg 240

RECEPTACLE LOCKING PIN	PART #
	LP-843

ANGLES

POLY ANGLE	PART #
30°	513M3
70°	513M7

METAL ANGLE	PART #
0°	593M0
30°	593M3

POLY ANGLE	PART #
FS/FD 30°	793M3FS

Base measures approximately 4.2" x 2.7". Due to the variation in sizes of FS boxes, please verify that your FS box matches our dimensions, if not call Customer Service for other solutions.

POLY ANGLE	PART #
70°	593M7

DR100 Standard Duty - 100 A

DR100

UL/CSA Ratings

- **Max Amperage & Voltage**
100 A, 600 VAC
- **Current Interruption Capability**
For current interrupting up to 250 VAC
For Switch-Rated devices, see DS & DSN sections.
- **Short Circuit Rating**
100 kA
Testing was performed with RK1 current limiting fuses sized at least 100% of the device's ampacity rating.
- **Environmental Ratings**
Type 4X/IP66/IP67/IP69/IP69K
- **Temperature Range**
Min -40°F/Max 140°F
See pg 254 for temperatures outside of this range.
- **Wiring Capacity**
Based on THHN wire sizes.
Min 10 AWG Max 2 AWG
Aux Contacts - Max 14 AWG
- **Certifications**
UL 1682, CSA C22.2 NO. 182.1., NOM

Receptacle (female)



Inlet (male)



! Don't forget to add installation accessories to your order

North American UL/CSA Configurations

VOLTAGE	POLARITY	PART #		PART #	
		POLY	METAL	POLY	METAL
120 V	1P+N+G	31-64235-K16	39-64235-K16	31-68235-K16	39-68235-K16
120 208 V	3P+N+G	31-64237-K16	39-64237-K16	31-68237-K16	39-68237-K16
125 V	1P+N+G	31-64175-K07	39-64175-K07	31-68175-K07	39-68175-K07
125 250 V	2P+N+G	31-64176-K07	39-64176-K07	31-68176-K07	39-68176-K07
208 V	2P+G	31-64232-K16	39-64232-K16	31-68232-K16	39-68232-K16
208 V	3P+G	31-64233-K16	39-64233-K16	31-68233-K16	39-68233-K16
250 V	2P+G	31-64172-K07	39-64172-K07	31-68172-K07	39-68172-K07
250 V	3P+G	31-64173-K07	39-64173-K07	31-68173-K07	39-68173-K07
277 V	1P+N+G	31-64245-K04	39-64245-K04	31-68245-K04	39-68245-K04
277 480 V	3P+N+G	31-64247-K04	39-64247-K04	31-68247-K04	39-68247-K04
347 600 V	3P+N+G	31-64187-K14	39-64187-K14	31-68187-K14	39-68187-K14
480 V	2P+G	31-64242-K04	39-64242-K04	31-68242-K04	39-68242-K04
480 V	3P+G	31-64243-K04	39-64243-K04	31-68243-K04	39-68243-K04
600 V	2P+G	31-64182-K14	39-64182-K14	31-68182-K14	39-68182-K14
600 V	3P+G	31-64183-K14	39-64183-K14	31-68183-K14	39-68183-K14

For international configurations and ratings (IEC, CE) visit meltric.com/international-catalog or contact Customer Service at 800-433-7642.

Main Options

- Auxiliary/Pilot Contacts**
- Mushroom Pawl**
- Padlock Pawl**
5/16" hole
- Self-Returning Lid**
Recommended for cord applications to keep lid tucked in to avoid damage.

RECEPTACLE OPTIONS	SUFFIX #	INLET OPTIONS	SUFFIX #
With 2 Auxiliary/Pilot Contacts	Recept # -972	With 2 Auxiliary/Pilot Contacts	Inlet # -972
With 3 Auxiliary/Pilot Contacts	Recept # -263	With 3 Auxiliary/Pilot Contacts	Inlet # -263
With 4 Auxiliary/Pilot Contacts	Recept # -264	With 4 Auxiliary/Pilot Contacts	Inlet # -264
Mushroom Pawl	Recept # -375	Without Lockout Hole	Inlet # -A155
Padlock Pawl	Recept # -843	For Microswitch	Inlet # -270^{3,4}
Screw-Type Locking Pawl	Recept # -845	Note:	
Metal Pawl (on poly receptacle)	Recept # -824	³ Not UL/CSA listed.	
Self-Returning Lid (Manual Close)	Recept # -NC	⁴ Not available on 3P+N+G configurations.	
With Microswitch	Recept # -270^{3,4}		

Order Example: 480 V DR100 + 2 auxiliary contacts
DR100 Poly inlet 3P+G = 31-68243-K04-972



Handle Option Guide
pgs 237-238

INSTALLATION ACCESSORIES – SIZE 4

When properly installed, all accessories meet or exceed the environmental ratings of the devices they are mounted to; unless otherwise noted.

HANDLES

HANDLE WITH NPT	PART # POLY	PART # METAL
1/2"	514PON05	594PON05
3/4"	514PON07	594PON07
1"	514PON10	594PON10
1 1/4"	514PON12	594PON12
1 1/2"	514PON15	594PON15

For available cord grips, see pg 159.

POLY HANDLE WITH CORD GRIP	CABLE RANGE	PART #
	.680-.980"	714P0DP4
	.980-1.260"	714P0EP4
	1.260-1.560"	714P0FP1

METAL HANDLE WITH CORD GRIP	CABLE RANGE	PART #
	.770-.850"	794P0DS1
	.875-1.000"	794P0DS3
	1.000-1.125"	794P0ES2
	1.250-1.375"	794P0FS1
	1.438-1.562"	794P0FS2
	1.562-1.688"	794P0FS3

*May require stripping of cable jacket.

POLY HANDLE	CABLE RANGE	PART #
	.511-1.377"	514P0D35

POLY HANDLE WITH BUILT IN DRAWPLATES	CABLE RANGE	PART #
	.511-1.377"	514P0D35473

Makes connector closures easier.

SANTOPRENE HANDLE	CABLE RANGE	PART #
	.551-.787"	554P0D20L
	.708-.984"	554P0D25L
	.984-1.377"	554P0D35L
	1.377-1.771"	554P0D45L
	1.771-1.929"	554P0D49L

ANGLES

POLY ANGLE	ANGLE	PART #	ANGLE	PART #
	30°	514M3	70°	514M7
	0°	594M0		
	30°	594M3		
	30°	794M3L		
	Oversized 30°	794M3		
	70°	594M7		

Mounts on oversize box only. Order with 7T5F0Nxx. See pg 98.

BOXES

POLY CONDUIT ENTRY WITH NPT	ANGLE	SIZE	PART #	Notes
	30°	1/2"	514B3N05	For poly devices only.
	30°	3/4"	514B3N07	
	30°	1"	514B3N10	* Interior volume with receptacle installed.
	30°	1 1/4"	514B3N12	* 27.7 in ³

POLY WALL BOX WITH ANGLE	ANGLE	PART #	Notes
	70°	514C7000	70° poly boxes are not drilled. * Interior volume with receptacle installed.
	Ground Bar	51-AA089	

POLY ANGLE WITH METAL BOX WITH NPT	ANGLE	SIZE	PART #	Notes
	70°	1/2"	714C7N05	
	70°	3/4"	714C7N07	
	70°	1"	714C7N10	* Interior volume with receptacle installed.
	70°	1 1/4"	714C7N12	
	70°	1 1/2"	714C7N15	* 177.7 in ³

METAL BOX WITH NPT	ANGLE	SIZE	PART #
	0°	1"	7T4F0N10
	0°	1 1/4"	7T4F0N12
	0°	1 1/2"	7T4F0N15
	0°	2"	7T4F0N20

POLY ANGLE WITH METAL BOX WITH NPT	ANGLE	SIZE	PART #	Notes
	30°	1"	714C3N10	For metal angle, replace "71" prefix with "79".
	30°	1 1/4"	714C3N12	
	30°	1 1/2"	714C3N15	* Interior volume with receptacle installed.
	30°	2"	714C3N20	* 61.0 in ³ Poly Angle * 59.4 in ³ Metal Angle

NPT on top or bottom (if rotated). For other configurations, contact Customer Service.

MISCELLANEOUS ACCESSORIES

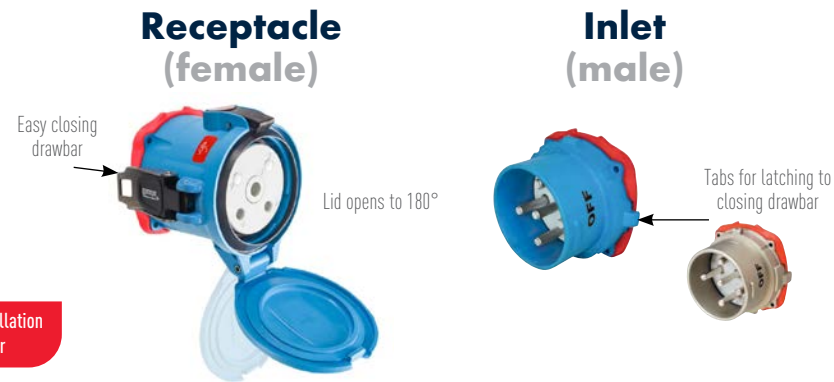
FINGER DRAWPLATES	PART #	Description
	31-6A346	Set of Two (2) Recommended for all assembly applications, for easier connector closure...
PROTECTIVE INLET/PLUG CAP		
	31-6A426	For Inlets/Plugs Only.
PADLOCKABLE INLET/PLUG CAP		
	DS6PC	Poly – For Inlets/Plugs Only.
	DS6MC	Aluminum – For Inlets/Plugs Only. -A155 suffix required on inlet part # to retain water ingress protection.
SPRING-LOADED PADLOCKABLE INLET/PLUG CAP		
	31-6A226	For Poly Inlets/Plugs Only.
	39-6A226	For Metal Inlets/Plugs Only. In order to achieve max water ingress protection of Type 3R/IP55, spring loaded caps should be ordered with inlets equipped with -A155 suffix.
RECEPTACLE LOCKING PIN		
	LP-843	Requires Padlockable Pawl option (-843) on receptacle.

DR150 Standard Duty - 150 A

DR150

UL/CSA Ratings

- Max Amperage & Voltage**
150 A, 600 VAC
- Current Interruption Capability**
For current interrupting up to 250 VAC
For Switch-Rated devices, see DS & DSN sections.
- Short Circuit Rating**
65 kA
Testing was performed with RK1 current limiting fuses sized at least 100% of the device's ampacity rating.
- Environmental Ratings**
Type 4X/IP66/IP67/IP69/IP69K
- Temperature Range**
Min -40°F/Max 140°F
See pg 254 for temperatures outside of this range.
- Wiring Capacity**
Based on THHN wire sizes
Min 4 AWG Max 2/0 AWG
Aux Contacts - Max 14 AWG
- Certifications**
UL 1682, CSA C22.2 NO. 182.1, NOM



Don't forget to add installation accessories to your order

North American UL/CSA Configurations

VOLTAGE	POLARITY	PART #		PART #	
		POLY	METAL	POLY	METAL
120 V	1P+N+G	31-94235-K16	39-94235-K16	31-98235-K16	39-98235-K16
120 208 V	3P+N+G	31-94237-K16	39-94237-K16	31-98237-K16	39-98237-K16
125 V	1P+N+G	31-94175-K07	39-94175-K07	31-98175-K07	39-98175-K07
125 250 V	2P+N+G	31-94176-K07	39-94176-K07	31-98176-K07	39-98176-K07
208 V	2P+G	31-94232-K16	39-94232-K16	31-98232-K16	39-98232-K16
208 V	3P+G	31-94233-K16	39-94233-K16	31-98233-K16	39-98233-K16
250 V	2P+G	31-94172-K07	39-94172-K07	31-98172-K07	39-98172-K07
250 V	3P+G	31-94173-K07	39-94173-K07	31-98173-K07	39-98173-K07
277 V	1P+N+G	31-94245-K04	39-94245-K04	31-98245-K04	39-98245-K04
277 480 V	3P+N+G	31-94247-K04	39-94247-K04	31-98247-K04	39-98247-K04
347 600 V	3P+N+G	31-94187-K14	39-94187-K14	31-98187-K14	39-98187-K14
480 V	2P+G	31-94242-K04	39-94242-K04	31-98242-K04	39-98242-K04
480 V	3P+G	31-94243-K04	39-94243-K04	31-98243-K04	39-98243-K04
600 V	2P+G	31-94182-K14	39-94182-K14	31-98182-K14	39-98182-K14
600 V	3P+G	31-94183-K14	39-94183-K14	31-98183-K14	39-98183-K14

For international configurations and ratings (IEC, CE) visit meltric.com/international-catalog or contact Customer Service at 800-433-7642.

Main Options

- Auxiliary/Pilot Contacts**
- Mushroom Pawl**
- Padlock Pawl**
5/16" hole
- Self-Returning Lid**
Recommended for cord applications to keep lid tucked in to avoid damage.

RECEPTACLE OPTIONS	SUFFIX #	INLET OPTIONS	SUFFIX #
With 2 Auxiliary/Pilot Contacts	Recept # -262	With 2 Auxiliary/Pilot Contacts	Inlet # -262
With 4 Auxiliary/Pilot Contacts	Recept # -264	With 4 Auxiliary/Pilot Contacts	Inlet # -264
With 6 Auxiliary/Pilot Contacts	Recept # -976	With 6 Auxiliary/Pilot Contacts	Inlet # -976
Mushroom Pawl	Recept # -375	Without Lockout Hole	Inlet # -A155
Padlock Pawl	Recept # -843	For Microswitch	Inlet # -270 ^{3,4}
Screw-Type Locking Pawl	Recept # -845		
Metal Pawl (on poly receptacle)	Recept # -824		
Self-Returning Lid (Manual Close)	Recept # -NC		
With Microswitch	Recept # -270 ^{3,4}		

Notes:
³ Not UL/CSA listed.
⁴ Not available on 3P+N+G configurations.

Order Example: 480 V DR150 + 2 auxiliary contacts
DR150 Poly inlet 3P+G = 31-98243-K04-972



INSTALLATION ACCESSORIES – SIZE 5

When properly installed, all accessories meet or exceed the environmental ratings of the devices they are mounted to; unless otherwise noted.

HANDLES

HANDLE WITH NPT	PART # POLY	PART # METAL
3/4"	515P0N07	595P0N07
1"	515P0N10	595P0N10
1 1/4"	515P0N12	595P0N12
1 1/2"	515P0N15	595P0N15
2"	515P0N20	595P0N20

For available cord grips, see pg 159.

POLY HANDLE WITH CORD GRIP	CABLE RANGE	PART #
	.980-1.260"	715P0EP4
	1.260-1.560"	715P0FP1
	1.520-1.860"	715P0GP2

METAL HANDLE WITH CORD GRIP	CABLE RANGE	PART #
	1.250-1.375"	795P0FS1
	1.438-1.562"	795P0FS2*
	1.562-1.688"	795P0FS3*
	1.688-1.812"	795P0GS1

*May require stripping of cable jacket.

OVERSIZED METAL HANDLE WITH NPT	PART #
3/4"	795P0N07
1"	795P0N10
1 1/4"	795P0N12
1 1/2"	795P0N15
2"	795P0N20
2 1/2"	795P0N25

For available cord grips, see pg 159.

SANTOPRENE HANDLE	CABLE RANGE	PART #
	.708-.984"	555P0D25
	.984-1.377"	555P0D35
	1.377-1.771"	555P0D45
	1.771-1.929"	555P0D49

ANGLES

POLY ANGLE	ANGLE	PART #
	30°	515M3
METAL ANGLE		
	0°	595M0
	30°	595M3
	Oversized 30°	795M3
	70°	595M7

Mounts on oversize metal box only. Order with 7T6F0N25XL. See pg 100.

BOXES

POLY ANGLE WITH METAL BOX WITH NPT	ANGLE	BOX SIZE	PART #
	30°	1 1/4"	715C3N12
	30°	1 1/2"	715C3N15
	30°	2"	715C3N20
	30°	2 1/2"	715C3N25

METAL ANGLE WITH METAL BOX WITH NPT	ANGLE	BOX SIZE	PART #
	30°	1 1/4"	795C3N12
	30°	1 1/2"	795C3N15
	30°	2"	795C3N20
	30°	2 1/2"	795C3N25

METAL BOX WITH NPT	ANGLE	BOX SIZE	PART #
	0°	1 1/4"	7T5F0N12
	0°	1 1/2"	7T5F0N15
	0°	2"	7T5F0N20
	0°	2 1/2"	7T5F0N25

NPT on top or bottom (if rotated). For other configurations, contact Customer Service.

MISCELLANEOUS ACCESSORIES

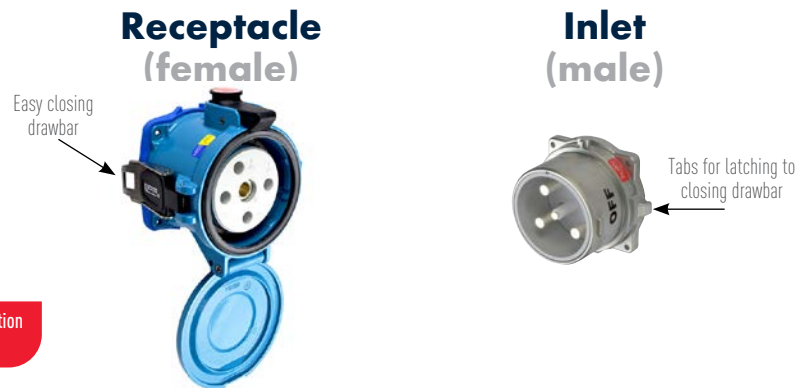
PROTECTIVE INLET/PLUG CAP		
	31-9A426	For Inlets/Plugs Only. Covers lockout hole for watertight seal on inlet. Consult Customer Service for availability.
PADLOCKABLE INLET/PLUG CAP		
	DS9MC	Aluminum - For Inlets/Plugs Only. -A155 suffix required on inlet part # to retain water ingress protection.
CORD GRIP WITH OPTIONS		
	see pg 159	
EASY RETROFIT ADAPTER PLATES		
	see pg 240	Mount to existing boxes.
RECEPTACLE LOCKING PIN		
	LP-843	Requires Padlockable Pawl option (-843) on receptacle.

DR250 Standard Duty - 250 A

DR250

UL/CSA Ratings

- Max Amperage & Voltage**
250 A, 600 VAC
- Current Interruption Capability**
Not for current interrupting
For Switch-Rated devices, see DS & DSN sections.
- Short Circuit Rating**
10 kA
Testing was performed with RK1 current limiting fuses sized at least 100% of the device's ampacity rating.
- Environmental Ratings**
Type 4X/IP66/IP67/IP69/IP69K
- Temperature Range**
Min -40°F/Max 140°F
See pg 254 for temperatures outside of this range.
- Wiring Capacity**
Based on THHN wire sizes
Min 4 AWG Max 4/0 AWG
Aux Contacts - Max 14 AWG
- Certifications**
UL 1682, CSA C22.2 NO. 182.1, NOM



Don't forget to add installation accessories to your order

North American UL/CSA Configurations

VOLTAGE	POLARITY	PART # METAL	PART # METAL
120 V	1P+N+G	39-24235-K16	39-28235-K16
120 208 V	3P+N+G	39-24237-K16	39-28237-K16
125 V	1P+N+G	39-24035-K07	39-28035-K07
125 250 V	2P+N+G	39-24036-K07	39-28036-K07
208 V	2P+G	39-24232-K16	39-28232-K16
208 V	3P+G	39-24233-K16	39-28233-K16
250 V	2P+G	39-24032-K07	39-28032-K07
250 V	3P+G	39-24033-K07	39-28033-K07
277 V	1P+N+G	39-24245-K04	39-28245-K04
277 480 V	3P+N+G	39-24247-K04	39-28247-K04
347 600 V	3P+N+G	39-24027-K14	39-28027-K14
480 V	2P+G	39-24242-K04	39-28242-K04
480 V	3P+G	39-24243-K04	39-28243-K04
600 V	2P+G	39-24022-K14	39-28022-K14
600 V	3P+G	39-24023-K14	39-28023-K14

For international configurations and ratings (IEC, CE) visit meltric.com/international-catalog or contact Customer Service at 800-433-7642.

Main Options



RECEPTACLE OPTIONS	SUFFIX #	INLET OPTIONS	SUFFIX #
With 2 Auxiliary/Pilot Contacts	Recept # -972 ⁷	With 2 Auxiliary/Pilot Contacts	Inlet # -972 ⁷
With 4 Auxiliary/Pilot Contacts	Recept # -174 ⁶	With 4 Auxiliary/Pilot Contacts	Inlet # -174 ⁶
With 6 Auxiliary/Pilot Contacts	Recept # -976 ⁶	With 6 Auxiliary/Pilot Contacts	Inlet # -976 ⁶
Mushroom Pawl	Recept # -375	For Microswitch	Inlet # -270 ^{3,4}
Padlock Pawl	Recept # -843	Without Lockout Hole	Inlet # -A155
Screw-Type Locking Pawl	Recept # -845		
Self-Returning Lid (Manual Close)	Recept # -NC		
With Microswitch	Recept # -270 ^{3,4}		

Notes:
³ Not UL/CSA listed.
⁴ Not available on 3P+N+G configurations.
⁶ This option not available with N contact.
⁷ Customers needing to maintain compatibility with old style -172 auxiliary contacts should use a -172 suffix.

Order Example: 480 V DR250 + 2 auxiliary contacts
DR250 Metal inlet 3P+G = 39-28243-K04-972



INSTALLATION ACCESSORIES – SIZE 6

When properly installed, all accessories meet or exceed the environmental ratings of the devices they are mounted to; unless otherwise noted.

HANDLES

HANDLE WITH NPT	PART # POLY	PART # METAL
1"	516P0N10	596P0N10
1 1/4"	516P0N12	596P0N12
1 1/2"	516P0N15	596P0N15
2"	516P0N20	596P0N20
2 1/2"	516P0N25	596P0N25
3"	-	596P0N30

For available cord grips, see pg 159.

POLY HANDLE WITH CORD GRIP	CABLE RANGE	PART #
	1.520-1.860"	716P0GP2
	1.850-2.190"	716P0GP3*

*May require stripping of cable jacket.

METAL HANDLE WITH CORD GRIP	CABLE RANGE	PART #
	1.688-1.812"	796P0GS1
	1.812-1.938"	796P0GS2*
	1.938-2.062"	796P0JS1
	2.062-2.188"	796P0JS2
	2.188-2.312"	796P0JS3
	2.312-2.438"	796P0JS4*
	2.437-2.625"	796P0KS1
	2.625-2.812"	796P0KS2

*May require stripping of cable jacket.

STRAIGHT HANDLE	CABLE RANGE	PART #	NPT	PART #
Bolt-on Clamp	1.57-1.97"	5K6P0D50	1 1/2"	5K6P0N15L
	2.01-2.36"	5K6P0D60	2"	5K6P0N20L
NPT	2.40-2.76"	5K6P0D70	2 1/2"	5K6P0N25L
	2.79-3.15"	5K6P0D80	3"	5K6P0N30L

OVERSIZED METAL HANDLE WITH NPT	PART #
1 1/2"	796P0N15
2"	796P0N20
2 1/2"	796P0N25
3"	796P0N30

For available cord grips, see pg. 159.

SANTOPRENE HANDLE	CABLE RANGE	PART #
	.984-1.377"	556P0D35
	1.377-1.771"	556P0D45
	1.771-1.929"	556P0D49

ANGLES

METAL ANGLE	ANGLE	PART #	Notes
	0°	596M0	
	45°	796M4	Mounts on oversize metal box only.
	60°	596M6	
	60° EXTENDED	597M6	

BOXES

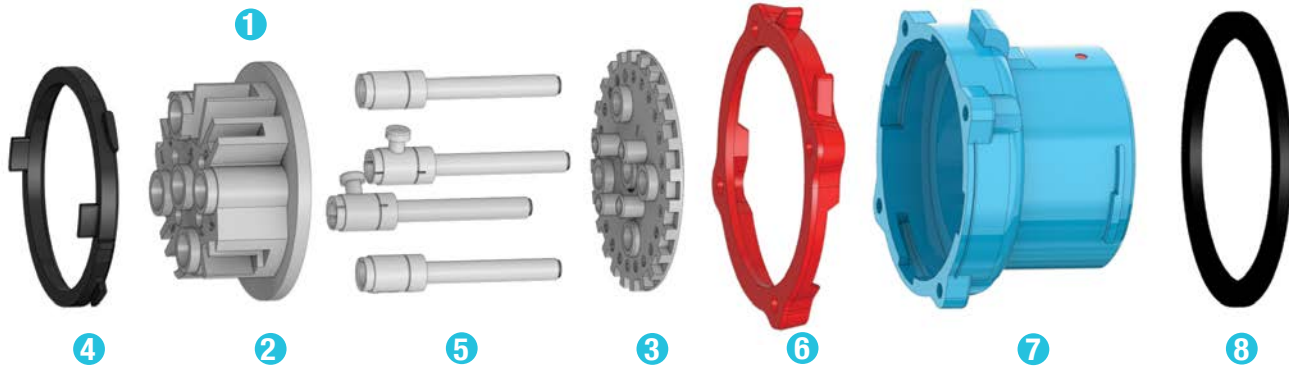
METAL ANGLE WITH METAL BOX WITH NPT	ANGLE	CABLE RANGE	PART #	Notes
	60°	1 1/2"	796C6N15	* Interior volume with receptacle installed. * 248.4 in ³
	60°	2"	796C6N20	
	60°	2 1/2"	796C6N25	
METAL BOX WITH NPT				
	0°	1 1/2"	7T6F0N15	
	0°	2"	7T6F0N20	
	0°	2 1/2"	7T6F0N25	
METAL OVERSIZED BOX WITH NPT				
	0°	2"	7T6F0N20XL	
	0°	2 1/2"	7T6F0N25XL	
	0°	3"	7T6F0N30XL	






NPT on top or bottom (if rotated). For other configurations, contact Customer Service.

MISCELLANEOUS ACCESSORIES

PROTECTIVE INLET/PLUG CAP	PART #	Description
	39-2A426	Covers lockout hole for watertight seal on inlet. Consult Customer Service for availability. For Inlets/Plugs Only.
PADLOCKABLE INLET/PLUG CAP		
	DS2MC	Aluminum - For Inlets/Plugs Only. -A155 suffix required on inlet part # to retain water ingress protection.
CORD GRIP WITH OPTIONS		
	see pg 159	
RECEPTACLE LOCKING PIN		
	LP-843	Requires Padlockable Pawl option (-843) on receptacle.

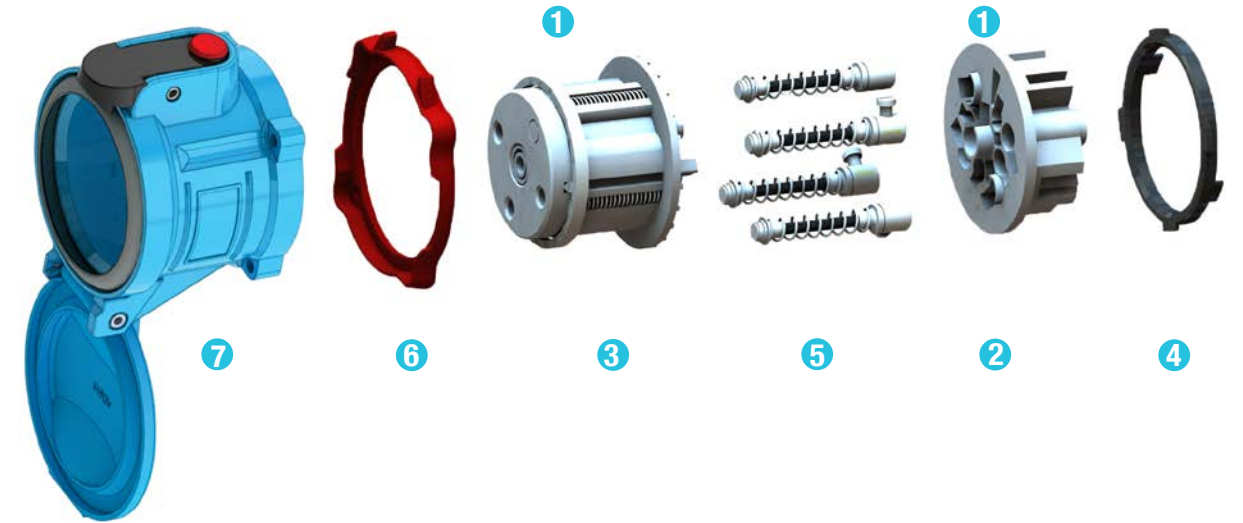
Male Configuration








	DR30 POLY	DR50 POLY	DR100 POLY	DR100 METAL	DR150 POLY	DR150 METAL	DR250 METAL
1 Plug Insulator	31-1A010*	31-3A010*	31-6A010*	39-6A010*	31-9A010*	39-9A010*	39-2A010*
2 Insulator Bottom	31-1A010-B	31-3A010-B	31-6A010-B	39-6A010-B	31-9A010-B	39-9A010-B	39-2A010-B
3 Insulator Top	31-1A010-T*	31-3A010-T*	31-6A010-T*	39-6A010-T	31-9A010-T*	39-9A010-T*	39-2A010-T*
4 Locking Ring	31-1A583	31-3A583	31-6A583	39-6A583	31-9A583	39-9A583	39-2A583
5 Plug Phase Contact	31-1A011	31-3A011	31-6A011	39-6A011	31-9A011	39-9A011	39-2A011
5 Plug Pilot Contact	31-1A011-972	31-3A011-972	31-6A011-972	39-6A011-972	31-9A011-972	39-9A011-972	39-2A011-972
5 Plug Ground Contact	31-1A019	31-3A019	31-6A019	39-6A019	31-9A019	39-9A019	39-2A019
6 Color-Coded Voltage Gasket		31-1AJ26	31-3AJ26	31-6AJ26	39-6AJ26	31-9AJ26	39-2AJ26
		31-1AC26	31-3AC26	31-6AC26	39-6AC26	31-9AC26	39-2AC26
		31-1AB26	31-3AB26	31-6AB26	39-6AB26	31-9AB26	39-2AB26
		31-1AR26	31-3AR26	31-6AR26	39-6AR26	31-9AR26	39-2AR26
		31-1AN26	31-3AN26	31-6AN26	39-6AN26	31-9AN26	39-2AN26
7 Plug Casing	31-1A014*	31-3A014*	31-6A014*	39-6A014*	31-9A014*	39-9A014*	39-2A014*
8 Type 4X Gasket	31-1A056	31-3A056	-	-	-	-	-

* Please provide full part number for accurate part alignment.
Part numbers in catalog are for current revisions, others may be available upon request.
 For replacement parts contact Customer Service at 800-433-7642.

Female Configuration



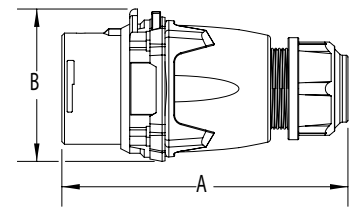
	DR30 POLY	DR50 POLY	DR100 POLY	DR100 METAL	DR150 POLY	DR150 METAL	DR250 METAL
1 Receptacle Insulator	31-1A020*	31-3A020*	31-6A020*	39-6A020*	31-9A020*	39-9A020*	39-2A020*
2 Insulator Bottom	31-1A020-B	31-3A320	31-6A020-B	39-6A020-B	31-9A020-B	39-9A020-B	39-2A020-B
3 Insulator Top	31-1A020-T*	31-3A020-T*	31-6A020-T*	39-6A020-T*	31-9A020-T*	39-9A020-T*	39-2A020-T*
4 Locking Ring	31-1A583	31-3A583	31-6A583	39-6A583	31-9A583	39-9A583	39-2A583
5 Receptacle Phase Contact	31-1A021	31-3A021	31-6A021	39-6A021	31-9A021	39-9A021	39-2A021
5 Receptacle Pilot Contact	31-1A021-972	31-3A021-972	31-6A021-972	39-6A021-972	31-9A021-972	39-9A021-972	39-2A021-972
5 Receptacle Ground Contact	31-1A019	31-3A029	31-6A029	39-6A029	31-9A029	39-9A029	39-2A029
6 Color-Coded Voltage Gasket		31-1AJ26	31-3AJ26	31-6AJ26	39-6AJ26	31-9AJ26	39-2AJ26
		31-1AC26	31-3AC26	31-6AC26	39-6AC26	31-9AC26	39-2AC26
		31-1AB26	31-3AB26	31-6AB26	39-6AB26	31-9AB26	39-2AB26
		31-1AR26	31-3AR26	31-6AR26	39-6AR26	31-9AR26	39-2AR26
		31-1AN26	31-3AN26	31-6AN26	39-6AN26	31-9AN26	39-2AN26
7 Receptacle Casing	31-1A024*	31-3A024*	31-6A024*	39-6A024*	31-9A024*	39-9A024*	39-2A024*
Lid Replacement Kit	31-1A125	31-3A125	31-6A125	39-6A925	31-9A125	39-9A925	39-2A925
Pawl Replacement Kit Polyester	31-3A824	31-3A824	31-6A824	-	31-9A824	-	-
Pawl Replacement Kit Metal	31-1A924	31-3A924	31-6A924	39-6A824	31-9A924	39-9A824	39-2A824
Drawbar Replacement Kit	-	-	-	-	31-9A726	39-9A726	39-2A726

* Please provide full part number for accurate part alignment.
Part numbers in catalog are for current revisions, others may be available upon request.
 For replacement parts contact Customer Service at 800-433-7642.

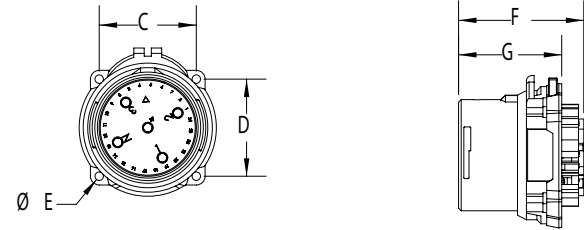


Dimensions are for reference only and may change depending on accessories used. For precise dimensions contact MELTRIC Engineering.

Plug



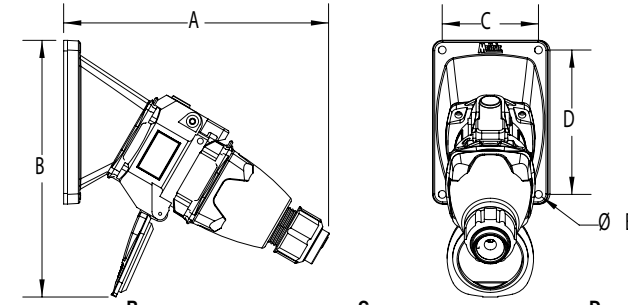
Inlet



PRODUCT	A	B	C	D	ØE	F	G
DR30	5.72	2.79	1.89	1.89	0.20	2.28	1.86
DR50	6.15	3.23	2.17	2.17	0.20	2.93	2.07
DR100/DR7c	6.70	3.77	2.59	2.59	0.24	3.42	2.38
DR150	8.33	4.59	3.20	3.20	0.24	4.14	3.04
DR250	10.30	5.67	3.86	3.86	0.26	4.66	3.20

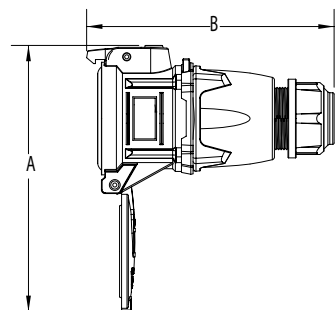
30° Angle/Receptacle/Plug

Dimensions for DR250 include 60° angle.

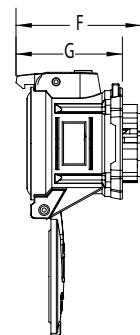
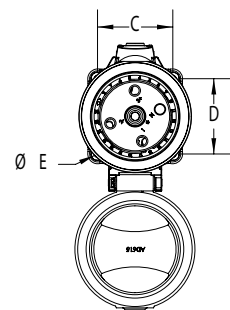


PRODUCT	A	B	C	D	ØE
DR30	7.60	7.87	2.50	3.75	0.22
DR50	8.19	8.44	2.50	3.75	0.22
DR100/DR7c	9.17	10.45	3.43	4.83	0.26
DR150	14.09	12.05	4.83	4.83	0.28
DR250	11.61	16.20	6.50	6.50	0.25

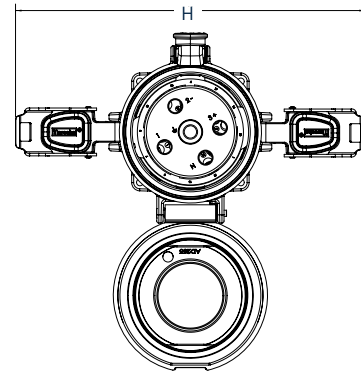
Connector



Receptacle

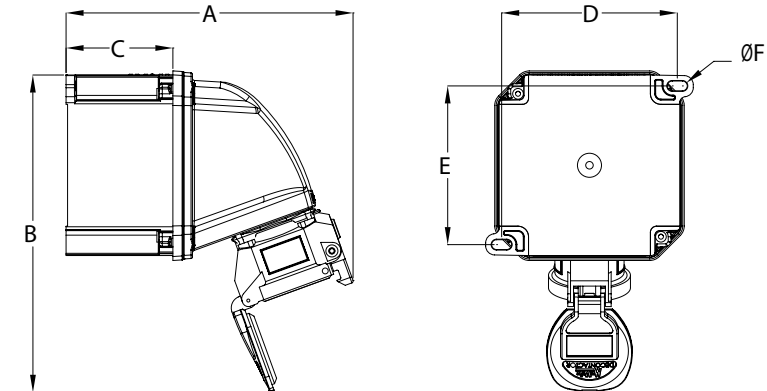


Extended Draw bars



PRODUCT	A	B	C	D	ØE	F	G	H
DR30	6.32	6.38	1.89	1.89	0.20	3.30	2.6	N/A
DR50	7.16	6.93	2.17	2.17	0.20	3.73	2.87	N/A
DR100/DR7c	8.46	7.90	2.59	2.59	0.22	4.53	3.37	N/A
DR150	11.04	10.02	3.20	3.20	0.23	5.71	4.74	11.25
DR250	12.70	10.87	3.86	3.86	0.26	6.21	4.75	12.07

70° Wall Box/Receptacle

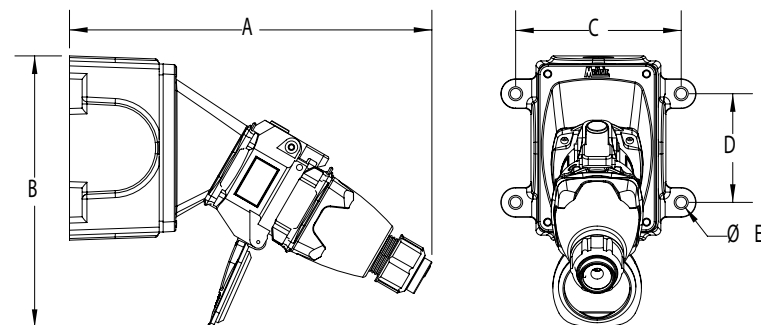


PRODUCT	A	B	C	D	E	ØF
DR30	7.51	8.30	2.80	4.60	4.15	0.26
DR50	7.93	9.51	2.80	4.60	4.15	0.26
DR100/DR7c*	9.07	12.70	2.80	6.17	5.73	0.26

* Box has 4 mounting feet

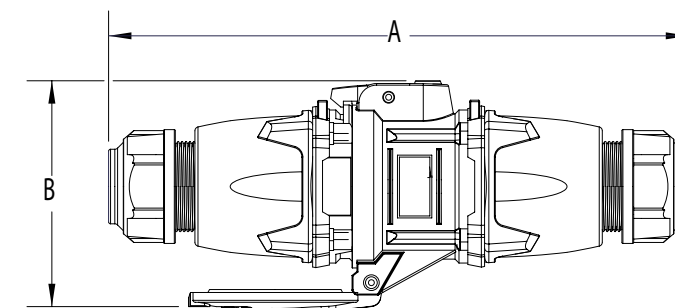
Box/30° Angle/Receptacle/Plug

Dimensions for DR250 include 60° angle.



PRODUCT	A	B	C	D	ØE
DR30	9.85	7.60	4.19	2.75	0.27
DR50	10.48	8.20	4.19	2.75	0.27
DR100/DR7c	11.87	10.74	5.00	3.81	0.33
DR150	16.06	10.33	6.75	4.25	0.31
DR250	15.76	12.70	8.13	6.38	0.31

Plug/Connector



PRODUCT	A	B
DR30	10.20	4.61
DR50	10.91	5.71
DR100/DR7c	12.17	6.57
DR150	19.53	8.03
DR250	23.15	8.00