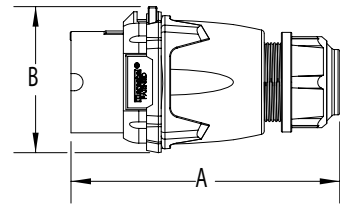


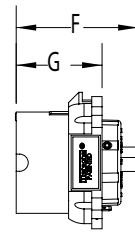
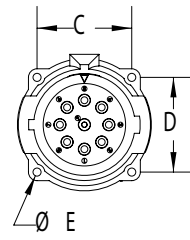


Dimensions are for reference only and may change depending on accessories used. For precise dimensions contact MELTRIC Engineering.

Plug

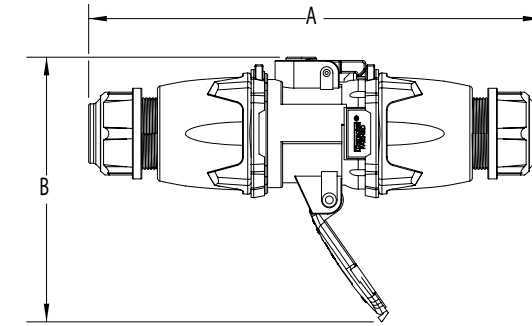


Inlet



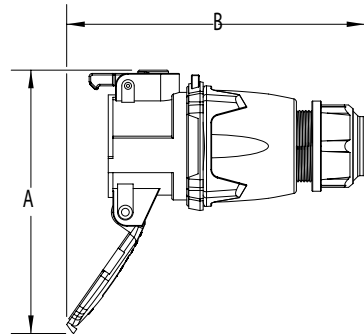
PRODUCT	A	B	C	D	ØE	F	G
DN9c	5.79	3.39	2.19	2.19	0.20	2.60	2.01
DN20c	10.75	4.92	3.20	3.20	0.24	4.48	3.50

Connector/Plug

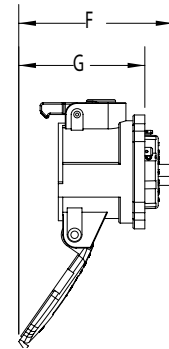
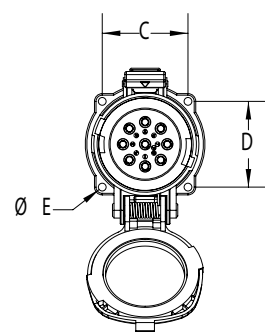


PRODUCT	A	B
DN9c	11.40	6.67
DN20c	17.25	7.34

Connector

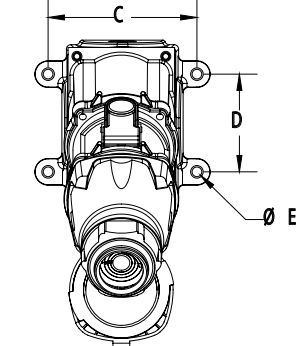
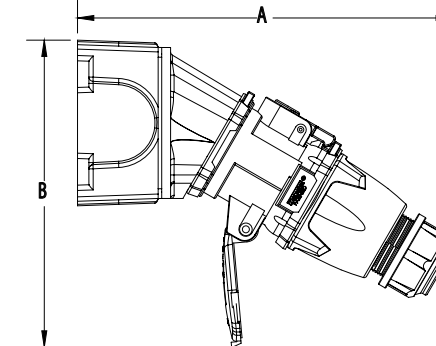


Receptacle



PRODUCT	A	B	C	D	E	F	G
DN9c	3.86	7.55	2.19	2.19	0.2	5.51	4.92
DN20c	5.20	12.12	3.2	3.2	0.24	6.14	7.68

Box/30° Angle/Receptacle/Plug



PRODUCT	A	B	C	D	ØE
DN9c	10.55	8.64	4.19	2.75	0.27
DN20c	16.34	10.75	6.75	4.25	0.31