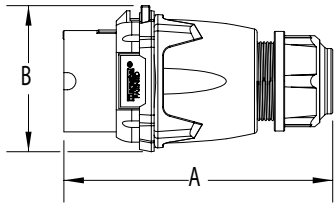


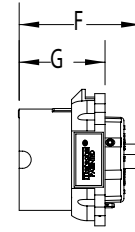
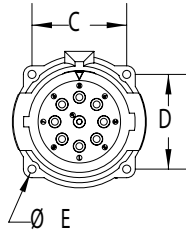
# DN DIMENSIONS Inlet – Provided in inches

Dimensions are for reference only and may change depending on accessories used. For precise dimensions contact MELTRIC Engineering.

## Plug

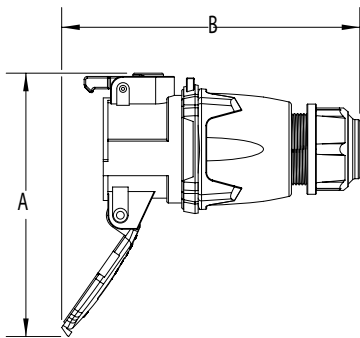


## Inlet

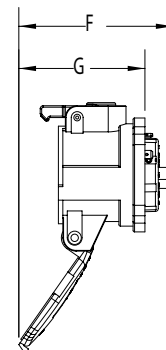
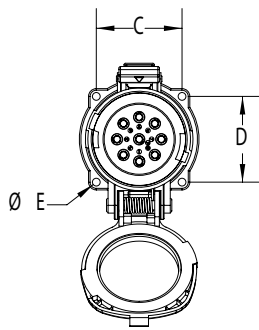


| PRODUCT | A     | B    | C    | D    | ØE   | F    | G    |
|---------|-------|------|------|------|------|------|------|
| DN9c    | 5.79  | 3.39 | 2.19 | 2.19 | 0.2  | 2.6  | 2.01 |
| DN20c   | 10.75 | 4.92 | 3.2  | 3.2  | 0.24 | 4.48 | 3.5  |

## Connector



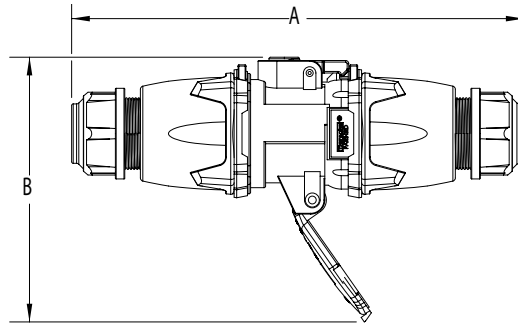
## Receptacle



| PRODUCT | A    | B     | C    | D    | E    | F    | G    |
|---------|------|-------|------|------|------|------|------|
| DN9c    | 3.86 | 7.55  | 2.19 | 2.19 | 0.2  | 5.51 | 4.92 |
| DN20c   | 5.2  | 12.12 | 3.2  | 3.2  | 0.24 | 6.14 | 7.68 |

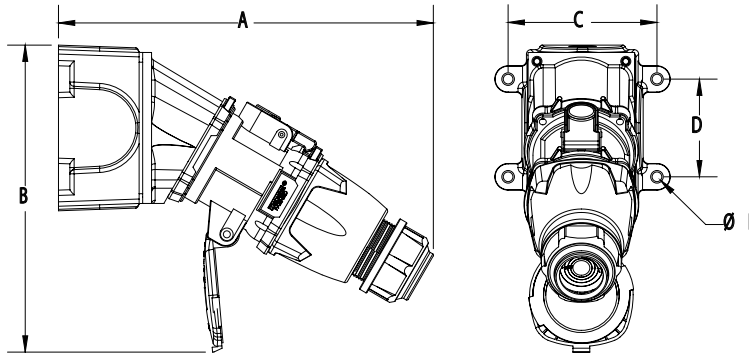


**Connector/Plug**



| PRODUCT | A     | B    |
|---------|-------|------|
| DN9c    | 11.4  | 6.67 |
| DN20c   | 17.25 | 7.34 |

**Box/30° Angle/  
Receptacle/Plug**



| PRODUCT | A     | B     | C    | D    | øE   |
|---------|-------|-------|------|------|------|
| DN9c    | 10.55 | 8.64  | 4.19 | 2.75 | 0.27 |
| DN20c   | 16.34 | 10.75 | 6.75 | 4.25 | 0.31 |

