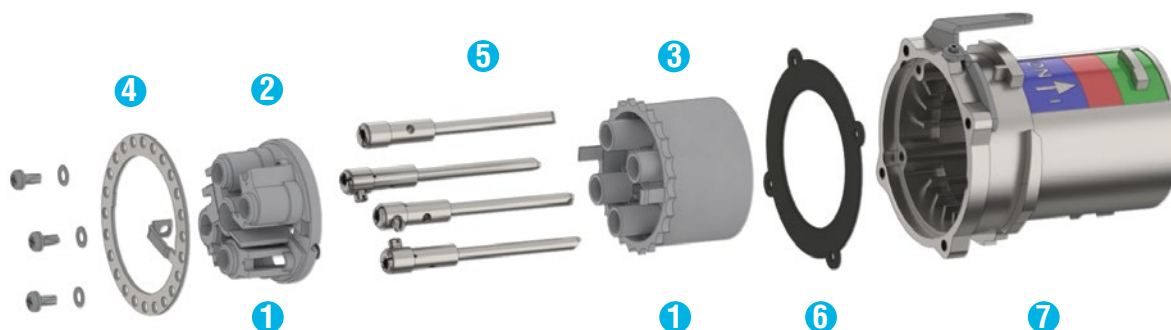


DB SPARE PARTS Male Configuration

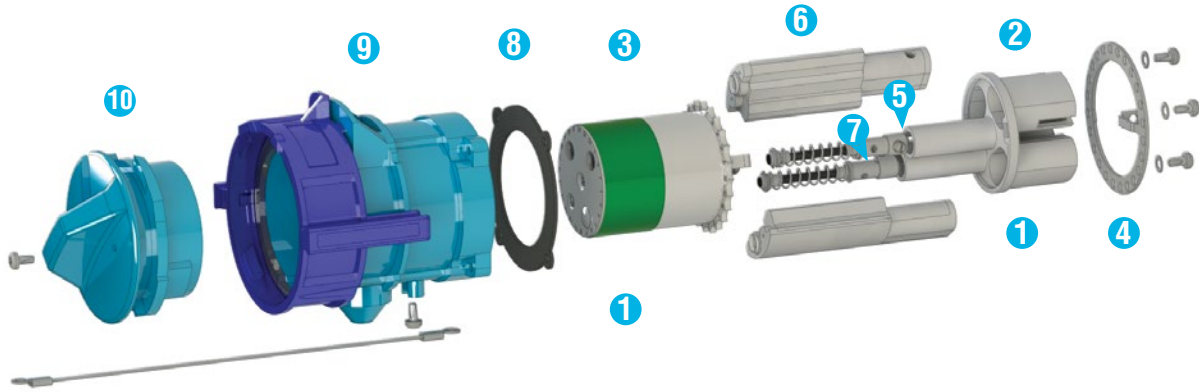


	DB30 METAL	DB60 METAL	DB100 METAL
1 Plug Interior with Pilot Contact Assembly	89-3A010-172*	89-6A010-172*	89-9A010-174*
1 Plug Interior without Pilot Contact Assembly	89-3A010	89-6A010	89-9A010
2 Interior Bottom***	89-3A010-B	89-6A010-B	89-9A010-B
3 Interior Top for Pilot Contact Assembly	89-3A010-T-172*	89-6A010-T-172*	89-9A010-T-174*
3 Interior Top w/o Pilot Contact Assembly Holes	89-3A010-T*	89-6A010-T*	89-9A010-T*
4 Metal Locking Ring/Ground Ring	89-3A523	89-6A523	89-9A523
5 Ground Contact	89-3A019	89-6A019	89-9A019
5 Phase or Neutral Contact	89-3A011	89-6A011	89-9A011
5 Pilot (2 Contacts) Assembly (not shown)	89-3A219-172	89-6A219-172	-
5 Pilot (4 Contacts) Assembly (not shown)	-	-	89-9A219-174
6 Device Gasket	89-3A026	89-6A026	89-9A026
7 Plug Metal Casing	89-3A014**	89-6A014**	89-9A014**

* Voltage and phasing positions must be specified (5th, 6th & 7th digit of Part #) to duplicate your shutter and alignment notches.

** For appropriate labeling on a device, please specify voltage, phasing, and product type.

DB SPARE PARTS Female Configuration



	DB30 METAL	DB60 METAL	DB100 METAL
1 Receptacle Interior w/Pilot Contact Assembly	89-3A020-172*	89-6A020-172*	89-9A020-174*
1 Receptacle Interior w/o Pilot Contact Assembly	89-3A020*	89-6A020*	89-9A020*
2 Interior Bottom***	89-3A020-B	89-6A020-B	89-9A020-B
3 Interior Top for Pilot Contact Assembly	89-3A020-T-172*	89-6A020-T-172*	89-9A020-T-174*
3 Interior Top for Pilot Contact Assembly Holes	89-3A020-T*	89-6A020-T*	89-9A020-T*
4 Metal Locking Ring/Ground Ring	89-3A523	89-6A523	89-9A523
5 Ground Contact	89-3A029	89-6A029	89-9A029
6 Phase Contact	89-3A021	89-6A021	89-9A021
7 Neutral Contact	89-3A021N	89-6A021N	89-9A021N
7 Pilot (2 Contacts) Assembly (not shown)	89-3A229-172	89-6A229-1726	-
7 Pilot (4 Contacts) Assembly (not shown)	-	-	89-9A229-174
8 Device Gasket	89-3A026	89-6A026	89-9A026
9 Receptacle Metal Casing	89-3A024**	89-6A024**	89-9A024**
10 Protective Cap with Nylon Cord	89-3A925**	89-6A925**	89-9A925**

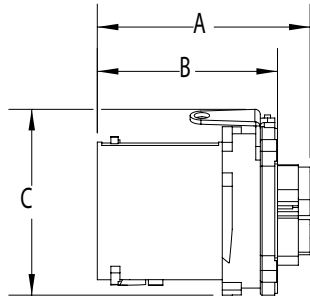
* Voltage and phasing positions must be specified (5th, 6th & 7th digit of Part #) to duplicate your shutter and alignment notches.

** For appropriate labeling on a device, please specify voltage, phasing, and product type.

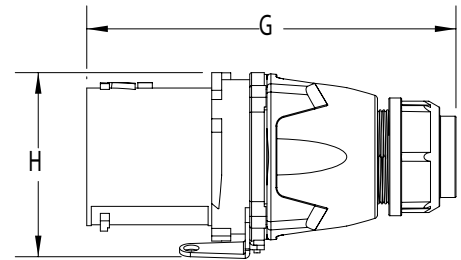
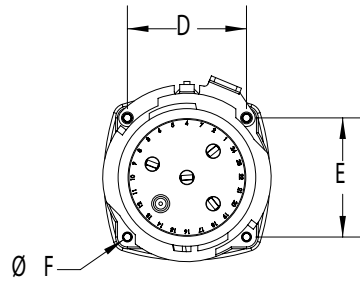
DB DIMENSIONS Inlet – Provided in inches

Dimensions are for reference only and may change depending on accessories used. For precise dimensions contact MELTRIC Engineering.

Inlet

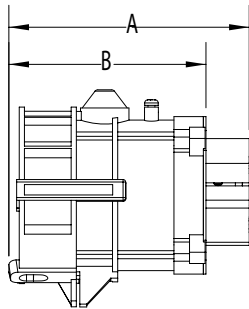


Plug

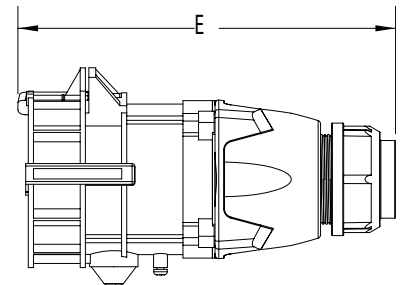
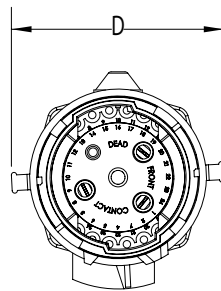


PRODUCT	A	B	C	D	E	øF	G	H
DB30	4.42	3.75	3.11	2.19	2.19	0.18	7.89	3.15
DB60	4.63	3.92	4.04	2.59	2.59	0.22	8.03	4
DB100	6.28	4.63	4.33	3.2	3.2	0.22	9.78	4.46

Receptacle



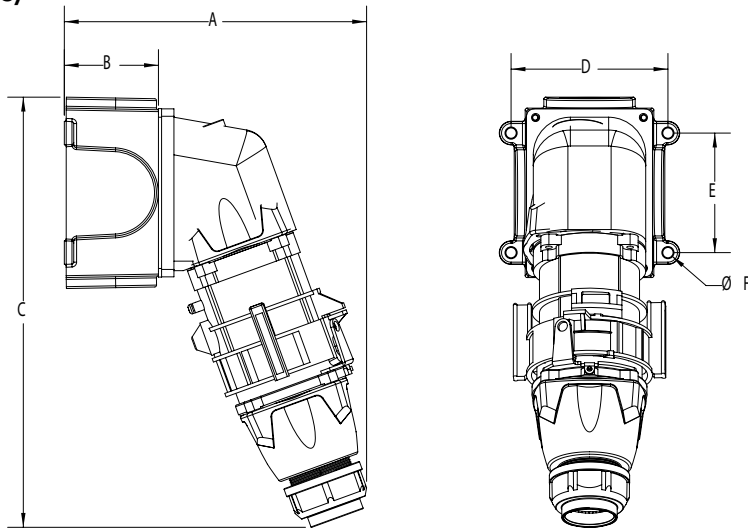
Connector



PRODUCT	A	B	C	D	E
DB30	6.17	5.16	3.54	4.36	8.02
DB60	6.52	5.46	4.02	4.84	8.59
DB100	8.52	6.77	4.94	5.75	10.67

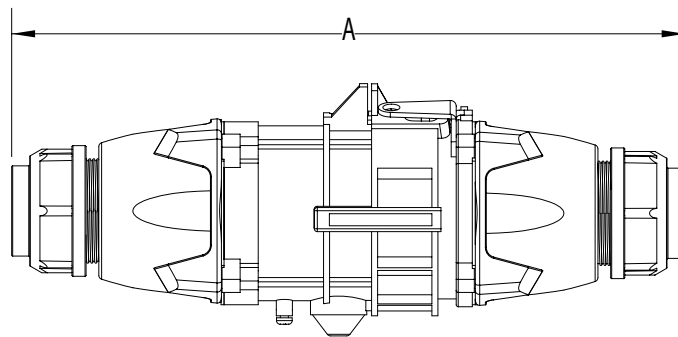


**Junction Box /70° Angle/
Receptacle/with Plug**



PRODUCT	A	B	C	D	E	F
DB30	8.54	2.27	11.65	4.19	2.75	0.27
DB60	9.63	3	13.71	5	3.81	0.33
DB100	12.24	3.77	17.6	6.75	4.25	0.31

Connector/Plug



PRODUCT	A
DB30	13.01
DB60	13.19
DB100	16.65

