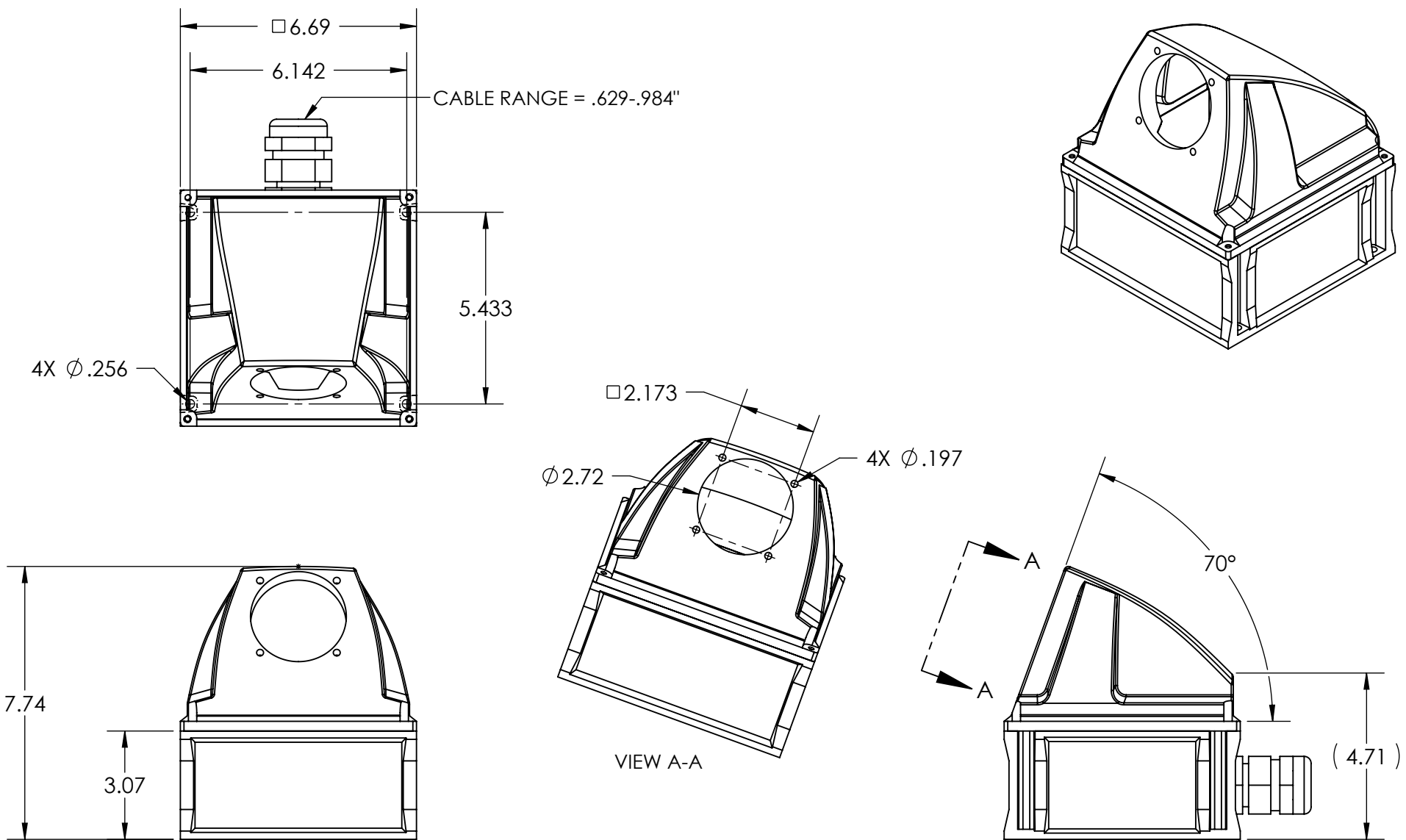


This drawing is the property of MELTRIC Corporation, Franklin (Milwaukee) Wisconsin, USA. Any unauthorized copying of this drawing by any means, ENG/RD/06 REV: 20 ISSUED DATE: 1/15/11 or disclosure of its contents to any person not authorized by MELTRIC Corporation or its agents to receive it, is strictly prohibited.



TOLERANCES UNLESS OTHERWISE SPECIFIED				DRAWING TITLE:	
MACHINED SURFACES $\sqrt[125]{\text{MAX}}$	ENGLISH			DXN60 POLY 70° WALL BOX	
GROUND SURFACES $\sqrt[32]{\text{MAX}}$	0.X $\pm$ 0.05	DATE:	SCALE	MATERIAL:	
ANGLE TOLERANCE $\pm$ 1°	0.XX $\pm$ 0.01		NTS	BLACK POLY	
REMOVE BURRS & SHARP EDGES TO .015 MAX.	0.XXX $\pm$ 0.005	SHEET:	PART NUMBER		
DIMENSIONS SHOWN IN OVALS ARE INSPECTION DIMENSIONS.		1 OF 1	22-6AB58		