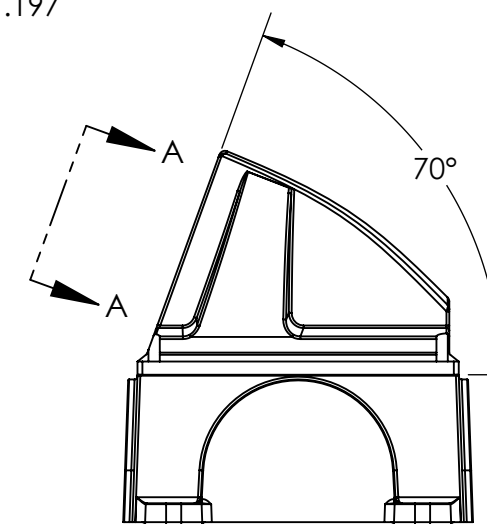
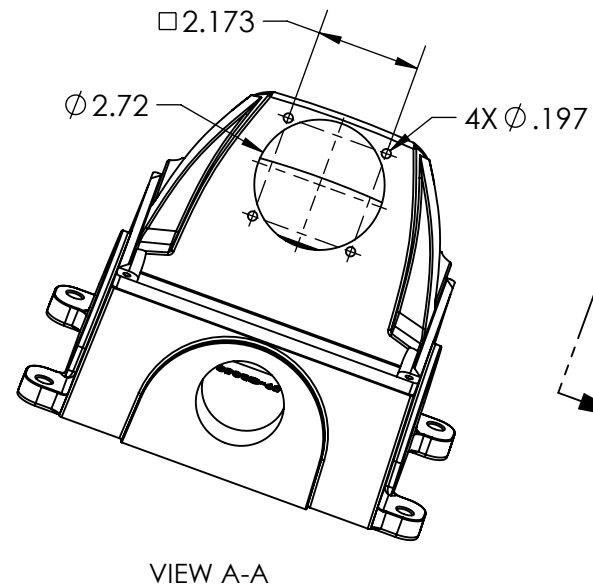
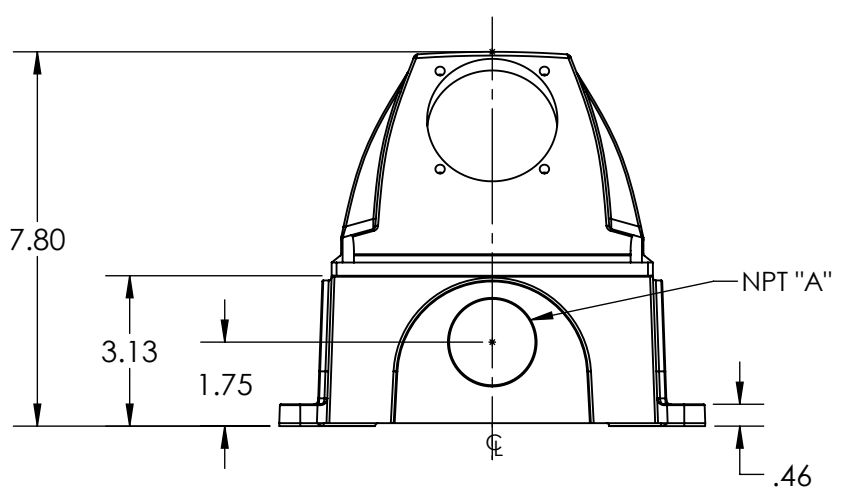
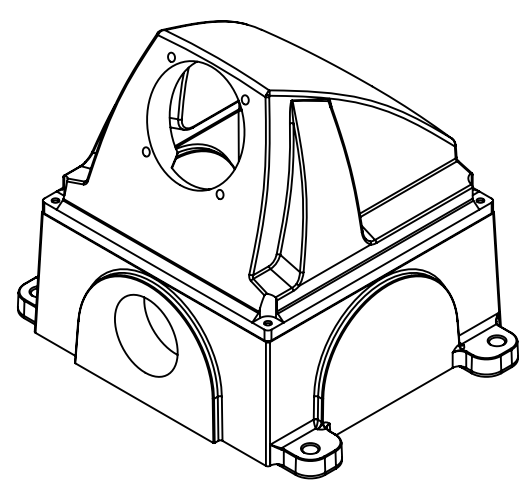
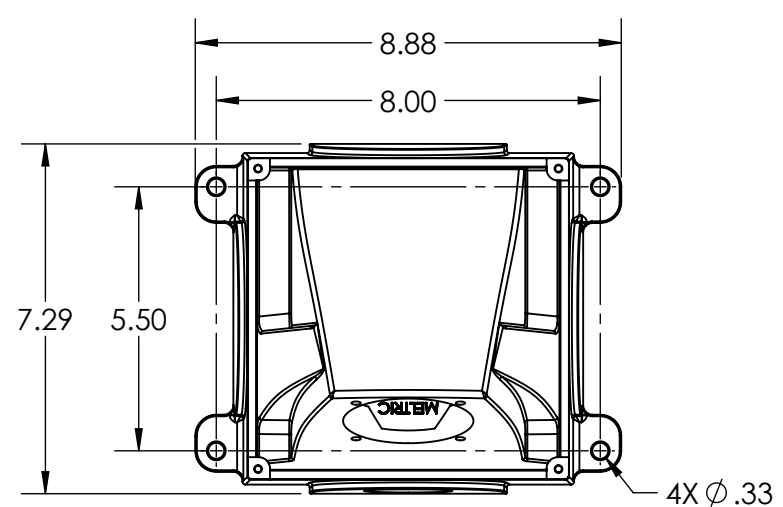


This drawing is the property of MELTRIC Corporation, Franklin (Milwaukee), Wisconsin, USA. Any unauthorized copying of this drawing by any means, ENG/RD/06 REV: 20 ISSUED DATE: 1/15/11 or disclosure of its contents to any person not authorized by MELTRIC Corporation or its agents to receive it, is strictly prohibited.



| PART NUMBER | NPT SIZE "A" |
|--------------|--------------|
| 22-6A058-12 | 1/2" NPT |
| 22-6A058-34 | 3/4" NPT |
| 22-6A058-1 | 1" NPT |
| 22-6A058-114 | 1-1/4" NPT |
| 22-6A058-112 | 1-1/2" NPT |

| | |
|--|-------------------|
| TOLERANCES UNLESS OTHERWISE SPECIFIED | |
| MACHINED SURFACES $\sqrt[125]{\text{MAX}}$ | ENGLISH |
| GROUND SURFACES $\sqrt[32]{\text{MAX}}$ | |
| ANGLE TOLERANCE $\pm 1^\circ$ | 0.X ± 0.05 |
| REMOVE BURRS & SHARP EDGES TO .015 MAX. | 0.XX ± 0.01 |
| DIMENSIONS SHOWN IN OVALS ARE INSPECTION DIMENSIONS. | 0.XXX ± 0.005 |

| | | | |
|--------|--------------|------------------------------|--|
| | | DRAWING TITLE: | |
| DRAWN | APPROVED | DXN60 POLY 70° ALUM WALL BOX | |
| DATE: | | SCALE | MATERIAL: |
| | | NTS | BLACK POLY ANGLE, PAINTED ALUMINUM BOX |
| SHEET: | PART NUMBER | | REVISION |
| 1 OF 1 | 22-6A058-xxx | | |