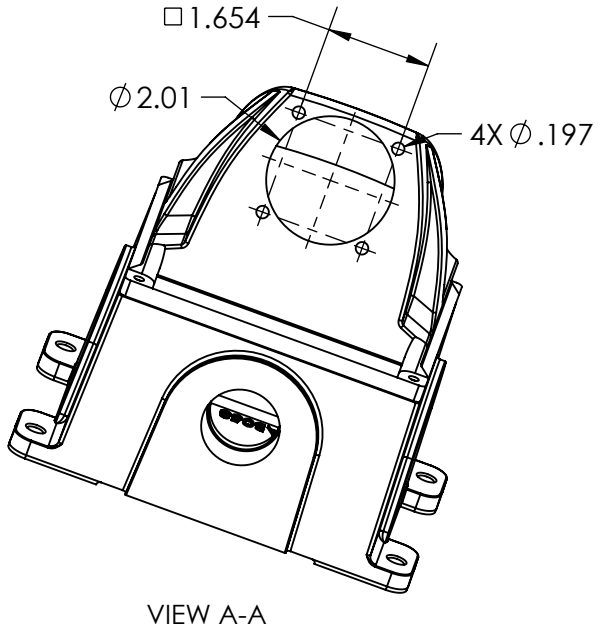
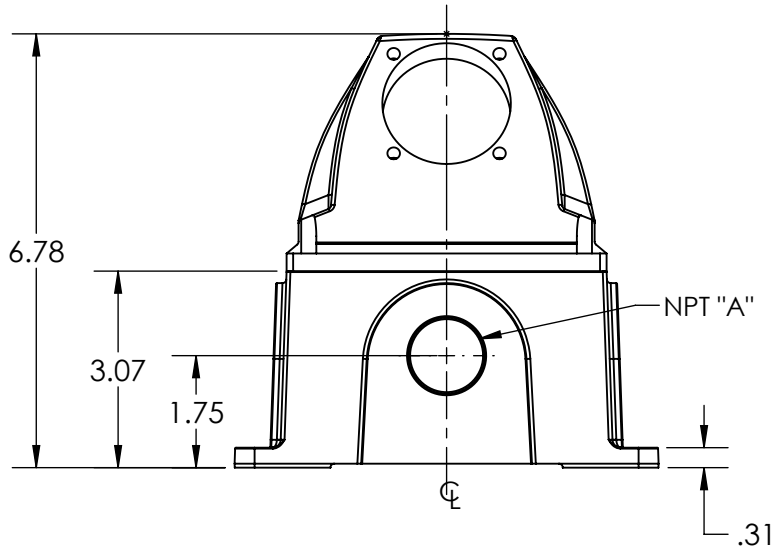
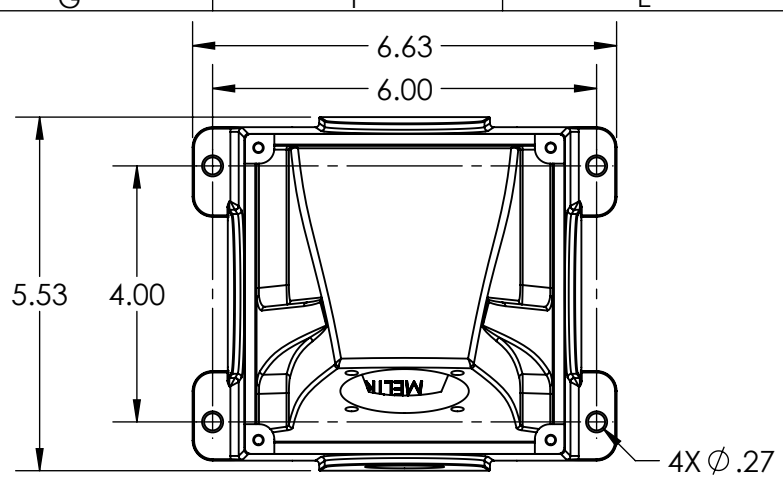
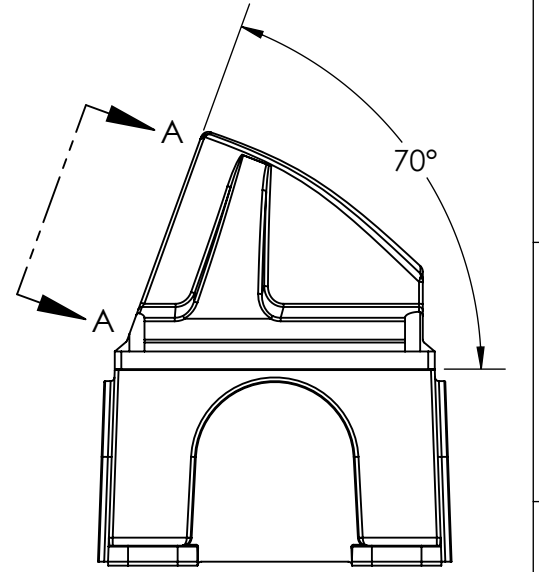
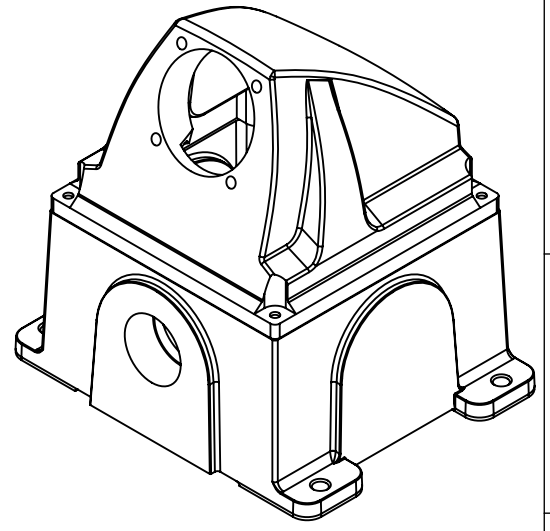


This drawing is the property of MELTRIC Corporation, Franklin (Milwaukee), Wisconsin, USA. Any unauthorized copying of this drawing by any means, ENG/RD/06 REV: 20 ISSUED DATE: 1/15/11 or disclosure of its contents to any person not authorized by MELTRIC Corporation or its agents to receive it, is strictly prohibited.



VIEW A-A



PART NUMBER	NPT SIZE "A"
22-1A058-12	1/2" NPT
22-1A058-34	3/4" NPT
22-1A058-1	1" NPT
22-1A058-114	1-1/4" NPT
22-1A058-112	1-1/2" NPT

TOLERANCES UNLESS OTHERWISE SPECIFIED	
MACHINED SURFACES $\sqrt{125} \text{ MAX}$	<b>ENGLISH</b> 0.X ±0.05 0.XX ±0.01 0.XXX ±0.005
GROUND SURFACES $\sqrt{32} \text{ MAX}$	
ANGLE TOLERANCE ±1°	
REMOVE BURRS & SHARP EDGES TO .015 MAX.	
DIMENSIONS SHOWN IN OVALS ARE INSPECTION DIMENSIONS.	

		DRAWING TITLE:	
DRAWN	APPROVED	DXN20 POLY 70° ALUM WALL BOX	
DATE:	SCALE	MATERIAL:	
	NTS	BLACK POLY ANGLE, PAINTED ALUMINUM BOX	
SHEET:	PART NUMBER	REVISION	
1 OF 1	22-1A058-xxx		